

前 言

本零件目录对 SD23 标准型、SD23E 加长履带型、SD23D 沙漠型、SD23S 湿地型、SD23R 环保型五种型号推土机的通用件或专用件进行了综合编制。

零件表的数量栏内，未标注产品型号的件数量为五种机型的通用数量；专用件或件数不同者，均在数量栏上方标有其机型号。

发动机所属零件，详见发动机零件目录。

随着产品的改进和技术的不断进步，书中内容可能与您的车辆不尽一致，不同之处修订后再版时说明，恕不另行通知，请用户谅解。

FOREWORD

In this Parts Book are listed parts of bulldozers in 5 models SD23 Standard type, SD23E Extra type, SD23D Desert type, SD23S Swamp type, SD23R Rubbish type as common part and special.

The quantity of common part per 5 machine models is indicated in the "Q'ty" column without any mark; for the special part and different quantity per machine are marked model above its quantity column.

With regard to parts of engine see "Parts Book of Engine."

Due to continuous technology advanced and products improvement, the content in this book may be different to your machine and the difference will be emendated next time without notice. Please users can be understanding.

目 录

CONTENTS

图 号 页 数
Fig. NO. Page

1. 发动机关联零件

ENGINE RELATED PARTS

发动机悬挂·····	101···	2~3
ENGINE MOUNT		
空气滤清器及罩·····	102···	4~5
AIR CLEANER AND CAP		
排气管及清音器·····	103···	6~7
EXHAUST MANFOLD AND MUFFLER		
飞轮罩总成·····	104···	8~9
FLYWHEEL HOUSING ASS`Y		
出力装置·····	105···	10~11
POWER TAKE OFF		
出力装置润滑油管·····	106···	12~13
P. T. O. LUBRICATING OIL PIPING		
分动箱·····	107···	14~17
TRANSFER CASE		
散热器·····	108···	18~23
RADIATOR		
散热器管路及护风罩·····	109···	24~27
RADIATOR PIPING AND WIND BREAK		
燃油箱·····	110···	28~29
FUEL TANK		
燃油管路·····	111···	30
FUEL PIPING		
前支架·····	112···	31
FRONT SUPPORT		
风扇·····	113···	32
COOLING FAN		
风扇皮带·····	114···	33
COOLING FAN BELT		
油门操纵·····	115···	34~35
FUEL CONTROL LEVER		
减速踏板·····	116···	36~37
DECELERATOR PEDAL		
油门操纵联动装置·····	117···	38~39
FUEL CONTROL LINKAGE		

2. 变矩器、变速箱、转向系统和终传动

TORQUE CONVERTOR , TRANSMISSIN CASE , STEERING SYSTEM AND FINAL DRIVE

万向节.....	201.....	42~43
UNIVERSAL JOINT		
变矩器 (1/2)	202.....	44~47
TORQUE CONVERTER (1/2)		
变矩器 (2/2)	203.....	48~51
TORQUE CONVERTER (2/2)		
变速箱壳.....	204.....	52~53
TRANSMISSION CASE		
变速箱齿轮及轴 (1/3)	205.....	54~57
TRANSMISSION GEAR AND SHAFT (1/3)		
变速箱齿轮及轴 (2/3)	206.....	58~59
TRANSMISSION GEAR AND SHAFT (2/3)		
变速箱齿轮及轴 (3/3)	207.....	60~63
TRANSMISSION GEAR AND SHAFT (3/3)		
变速输出装置.....	208.....	64~65
TRANSMISSION TRANSFER		
变速阀 (1/2)	209.....	66~67
TRANSMISSION VALVE (1/2)		
变速阀 (2/2)	210.....	68~71
TRANSMISSION VALVE (2/2)		
变速阀盖及操纵杆.....	211.....	72~75
TRANSMISSION VALVE COVER AND LEVER		
后桥箱与主机架.....	212.....	76~77
STEERING CASE AND MAIN FRAME		
伞齿轮和横轴.....	213.....	78~79
BEVEL GEAR AND SHAFT		
转向离合器.....	214.....	80~81
STEERING CLUTCH		
制动带及联动装置.....	215.....	82~83
BRAKE BAND AND LINKAGE		
制动盖.....	216.....	84~85
BRAKE COVER		
制动助力器.....	217.....	86~87
BRAKE BOOSTER		
终传动箱及齿轮 (1/2)	218.....	88~89
FINAL DRIVE CASE AND GEAR (1/2)		
终传动箱及齿轮 (2/2)	219.....	90~93
FINAL DRIVE CASE AND GEAR (2/2)		

链轮及轴	220	94~95
SPROCKET AND SHAFT		

3. 行走装置

TRACK EQUIPMENT

台车架.....	301	98~99
TRACK FRAME		
张紧装置.....	302	100~101
RECOIL SPRING		
台车架盖.....	303	102~105
TRACK FRAME COVER		
引导轮.....	304	106~107
IDLER		
支重轮.....	305	108~109
TRACK ROLLER		
支重轮护板.....	306	110~111
TRACK ROLLER GUARD		
托轮.....	307	112~113
CARRIER ROLLER		
履带（润滑型）.....	308	114~115
TRACK SHOE (LUBRICATE TYPE)		
履带（润滑型）（用于 SD23S）.....	309	116~117
TRACK SHOE (LUBRICATE TYPE) (FOR SD23S)		
履带（主销型）.....	310	118~119
TRACK SHOE (MASTERPIN TYPE)		

4. 底盘控制系统

CHASSIS CONTROL SYSTEM

变速控制杆.....	401	122~125
TRANSMISSION CONTROL LEVER		
变速控制连杆（1/3）.....	402	126~127
TRANSMISSION CONTROL LINKAGE (1/3)		
变速控制连杆（2/3）.....	403	128~129
TRANSMISSION CONTROL LINKAGE (2/3)		
变速控制连杆（3/3）.....	404	130~131
TRANSMISSION CONTROL LINKAGE (3/3)		
转向控制杆.....	405	132~133
STEERING CONTROL LEVER		

转向控制连杆 (1/2)	406	134~135
STEERING CONTROL LINKAGE (1/2)		
转向控制连杆 (2/2)	407	136~137
STEERING CONTROL LINKAGE (2/2)		
制动踏板	408	138~139
BRAKE PEDAL		
制动闭锁杆	409	140~141
PARKING BRAKE LEVER		
转向阀	410	142~145
STEERING CONTROL VALVE		
主调压阀	411	146~147
MAIN RELIEF VALVE		
精滤油器	412	148~149
TRANSMISSION OIL FILTER		
粗滤油器	413	150~151
OIL STRAINER		
转向管路 (1/3)	414	152~153
STEERING PIPING (1/3)		
转向管路 (2/3)	415	154~155
STEERING PIPING (2/3)		
转向管路 (3/3)	416	156~157
STEERING PIPING (3/3)		
变速泵	417	158~159
TRANSMISSION PUMP		
转向泵	418	160~161
STEERING PUMP		
冷却管路	419	162~165
TORQUE CONVERTER AND OIL COOLER PIPING		
变速管路	420	166~169
TORQFLOW TRANSMISSION PIPING		
制动管路	421	170~171
BRAKE PIPING		
集中润滑管路	422	172~173
CONCENTRATED PIPING		
测压管路	423	174~175
TEST PRESSURE PIPING		
5. 护罩		
GUARD		
前机罩	501	178~179
FRONT ENGINEHOOD		

发动机罩·····	502···	180~183
ENGINEHOOD		
翼板·····	503···	184~187
FENDER		
支承·····	504···	188~189
SUPPORT		
后盖·····	505···	190~191
REAR COVER		
地板架·····	506···	192~193
FLOOR PLATE		
蓄电池罩·····	507···	194~195
BATTERY COVER		
底护板·····	508···	196~197
BOTTOM GUARD		
防翻滚架·····	509···	198~199
ROLL OVER PROTECTIVE STRUCTURE		
防翻滚架安装·····	510···	200~201
ROLL OVER PROTECTIVE STRUCTURE BRACKET		
平衡梁·····	511···	202~203
EQUALIZER BAR		
6. 工作装置控制系统		
WORK EQUIPMENT CONTROL SYSTEM		
工作阀安装·····	601···	206~207
WORK EQUIPMENT VALVE MOUNT		
工作阀安装（带三齿松土器）·····	602···	208~209
WORK EQUIPMENT VALVE MOUNT (WITH THREE SHANK RIPPER)		
工作阀安装（带单齿松土器）·····	603···	210~211
WORK EQUIPMENT VALVE MOUNT (WITH SINGLE SHANK RIPPER)		
液压油箱·····	604···	212~213
HYDRAULIC TANK		
油缸支架·····	605···	214~215
CYLINDER STAY		
工作泵（1/2）·····	606···	216~217
HYDRAULIC PUMP (1/2)		
工作泵（2/2）·····	607···	218~219
HYDRAULIC PUMP (2/2)		
铲刀控制阀（1/5）·····	608···	220~221
BLADE CONTROL VALVE (1/5)		
铲刀控制阀（2/5）·····	609···	222~225
BLADE CONTROL VALVE (2/5)		
铲刀控制阀（3/5）·····	610···	226~227
BLADE CONTROL VALVE (3/5)		
铲刀控制阀（4/5）·····	611···	228~229
BLADE CONTROL VALVE (4/5)		
铲刀控制阀（5/5）·····	612···	230~231
BLADE CONTROL VALVE (5/5)		

图 号 页 数

Fig.NO. Page

三齿松土器控制阀 (1/2)	613	232~235
THREE SHANK RIPPER CONTROL VALVE (1/2)		
三齿松土器控制阀 (2/2)	614	236~239
THREE SHANK RIPPER CONTROL VALVE (2/2)		
单齿松土器控制阀 (1/2)	615	240~243
SINGLE SHANK RIPPER CONTROL VALVE (1/2)		
单齿松土器控制阀 (2/2)	616	244~245
SINGLE SHANK RIPPER CONTROL VALVE (2/2)		
铲刀提升油缸 (1/2)	617	246~249
BLADE LIFT CYLINDER (1/2)		
铲刀提升油缸 (2/2)	618	250~251
BLADE LIFT CYLINDER (2/2)		
液压管路 (油箱至泵)	619	252~255
HYDRAULIC PIPING (TANK TO PUMP)		
液压管路 (油箱至提升油缸) (1/2)	620	256~257
HYDRAULIC PIPING (TANK TO LIFT CYLINDER) (1/2)		
液压管路 (油箱至提升油缸) (2/2)	621	258~261
HYDRAULIC PIPING (TANK TO LIFT CYLINDER) (2/2)		
液压管路 (油箱至倾斜油缸)	622	262~263
HYDRAULIC PIPING (TANK TO TILT CYLINDER)		
液压管路 (油箱至倾斜油缸) (SD23S 用)	623	264~267
HYDRAULIC PIPING (TANK TO TILT CYLINDER) (FOR SD23S)		
液压管路 (油箱至三齿松土器油缸)	624	268~269
HYDRAULIC PIPING (TANK TO THREE SHANK RIPPER CYLINDER)		
液压管路 (油箱至单齿松土器油缸)	625	270~271
HYDRAULIC PIPING (TANK TO SINGLE SHANK RIPPER CYLINDER)		
铲刀操纵杆	626	272~275
BLADE CONTROL LEVER		
铲刀操纵连杆	627	276~279
BLADE CONTROL LINKAGE		
角铲操纵杆	628	280~283
ANGLE BLADE CONTROL LEVER		
角铲操纵连杆	629	284~287
ANGLE BLADE CONTROL LINKAGE		
三齿松土器操纵杆	630	288~291
THREE SHANK RIPPER CONTROL LEVER		
三齿松土器操纵连杆	631	292~293
THREE SHANK RIPPER CONTROL LINKAGE		
单齿松土器操纵杆	632	294~297
SINGLE SHANK RIPPER CONTROL LEVER		
单齿松土器操纵连杆 (1/2)	633	298~299
SINGLE SHANK RIPPER CONTROL LINKAGE		
单齿松土器操纵连杆 (2/2)	634	300~301
SINGLE SHANK RIPPER CONTROL LINKAGE		

7. 工作装置

WORK EQUIPMENT

直倾铲	701	304~307
STRAIGHT TILT BLADE		
推杆	702	308~311
STRAIGHT TILT FRAME		
铲刀倾斜油缸	703	312~313
BLADE TILT CYLINDER		
铲刀倾斜管路	704	314~315
BLADE TILT CYLINDER PIPING		
推杆	705	316~319
STRAIGHT FRAME		
角铲	706	320~321
ANGLE BLADE		
弓形架	707	322~325
C-FRAME		
U型铲	708	326~329
U-BLADE		
三齿松土器	709	330~333
RIPPER		
三齿松土器油缸	710	334~335
RIPPER CYLINDER		
三齿松土器管路	711	336~337
RIPPER CYLINDER PIPING		
单齿松土器	712	338~339
SINGLE SHANK RIPPER		
单齿松土器升降油缸	713	340
SINGLE SHANK RIPPER CYLINDER		
单齿松土器调角油缸	714	341
SINGLE SHANK RIPPER CYLINDER		
单齿松土器管路	715	342~343
SINGLE SHANK RIPPER PIPING		
牵引架	716	344~345
DRAWBAR		
帆布棚	717	346~347
CANOPY		
司机室	718	348~349
STEEL CAB		
牵引架(用于 SD23S)	719	350~351
DRAWBAR (For SD23S)		

8. 电气系统

ELECTRICAL SYSTEM

电气系统 (1/2)	801	354~355
ELECTRICAL SYSTEM		

图 号 页 数

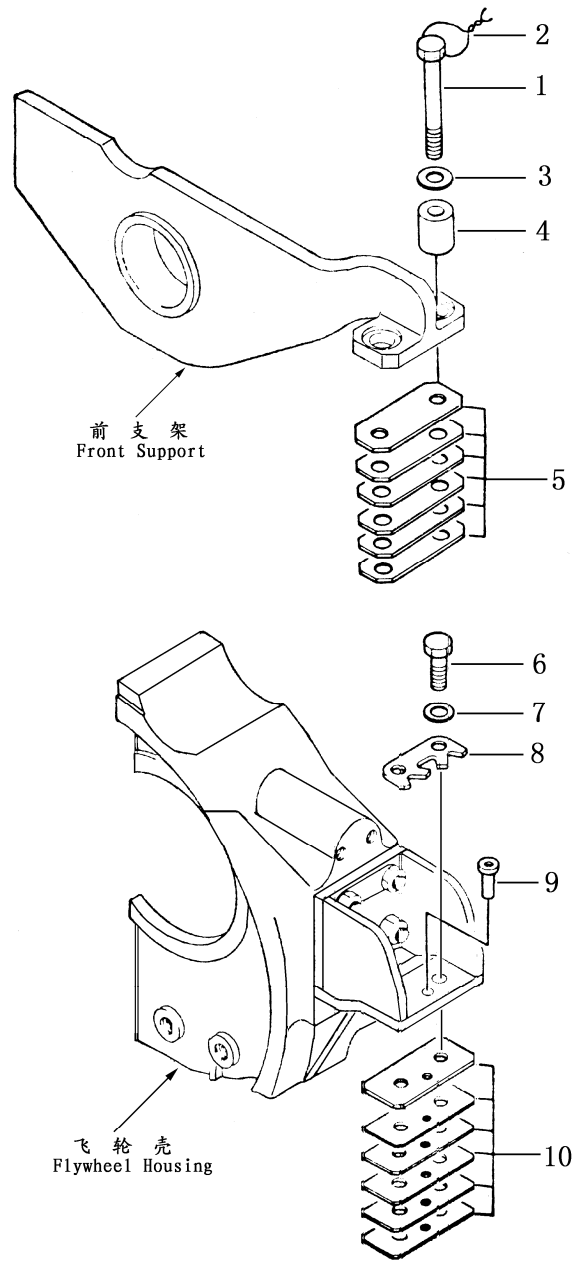
Fig. NO. Page

电气系统 (2/2)	802	356~357
ELECTRICAL SYSTEM		
仪表箱	803	358~359
INSTRUMENT BOX		
继电器和保险丝盒	804	360~361
RELAY AND FUSE BOX		
蓄电池和电池继电器	805	362~363
BATTERY AND RELAY SWITCH		

发 动 机 关 联 零 件

ENGINE RELATED PARTS

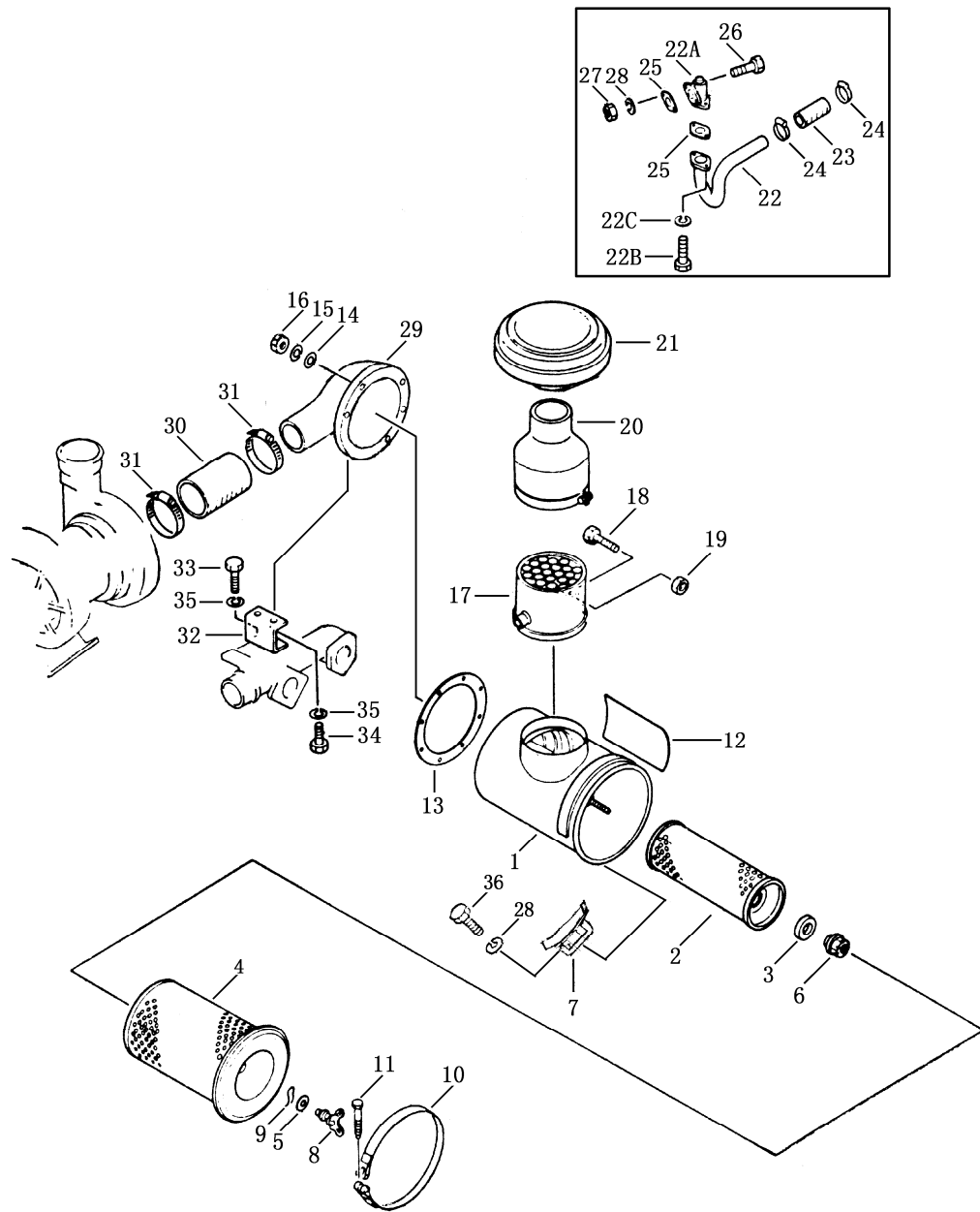
第 101 图 发动机悬挂
FIG.101 ENGINE MOUNT



发动机悬挂
ENGINE MOUNT

序号 Index No.	件 号 Part No.	名 称 Description	数量 Q'ty
1	01015-52200	前螺栓 bolt, front	4
2	GB3206-82	锁紧用钢丝 Φ 1.8 L=800 wire, lock	2
3	01643-32260	垫圈 washer	4
4	195-01-11190	衬垫 gasket	4
5	154-01-11570	前垫板总成 shim ass'y, front	2
	154-01-11580	前垫板总成 shim ass'y, front	10
6	01010-52255	后螺栓 blot, rear	4
7	154-01-11550	垫圈 washer	4
8	17Y-01A-10004	锁垫板 plate, lock	2
9	6681-21-4750	定位销 pin, dowel	2
10	17Y-01A-10002	后垫板总成 shim ass'y, rear	2
	17Y-01A-10003	后垫板总成 shim ass'y, rear	10

第 102 图 空气滤清器及罩
 FIG. 102 AIR CLEANER AND CAP

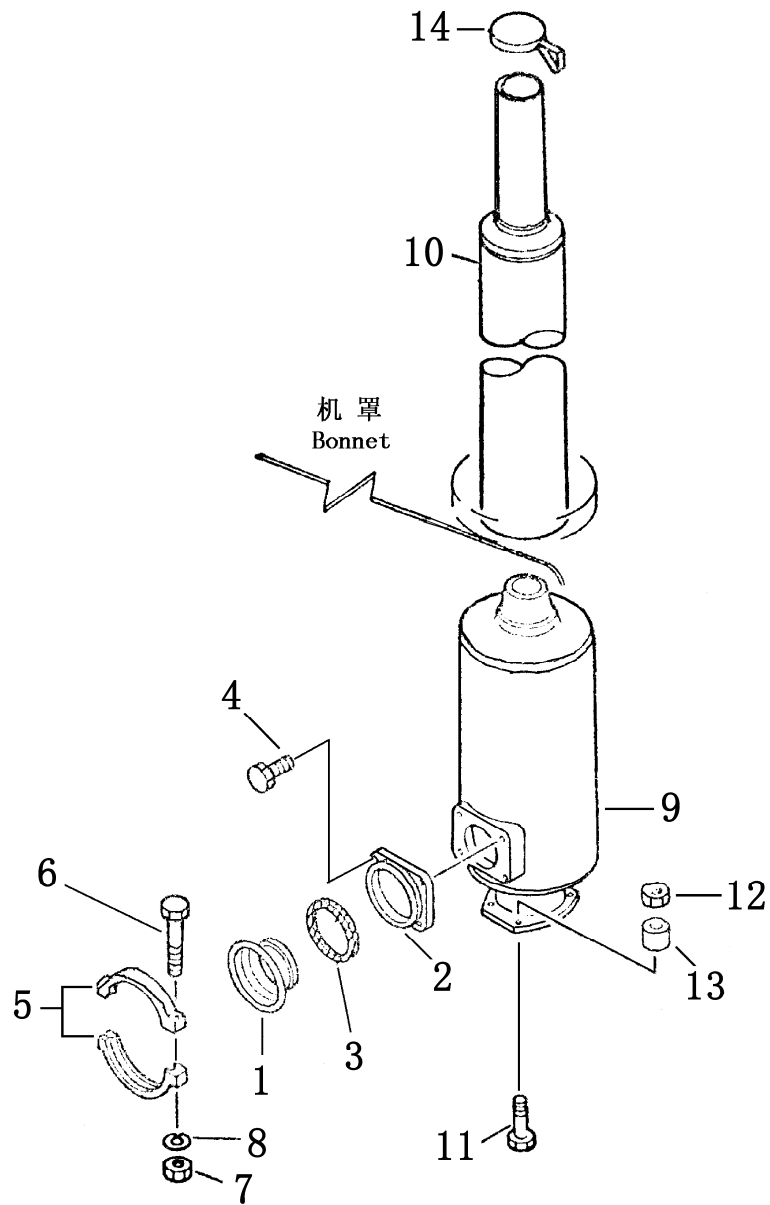


空气滤清器及罩

AIR CLEANER AND CAP

序号 Index No.	件号 Part No.	名称 Description	数量 Q'ty	
	(6127-82-7106)	空气滤清器总成	air cleaner ass'y	1
1	6127-82-7115	空气滤清器主体	body, air cleaner	1
2	6127-81-7412	内芯元件	element , inner	1
3	600-181-7511	密封圈	washer seat	1
4	6128-81-7320	外芯元件	element, outer	1
5	600-181-4440	密封垫圈	washer , seal	1
6	600-181-4370	螺母	nut	1
7	6711-11-4510	空气滤清器托架	bracket , air cleaner	1
8	600-181-4420	蝶形螺栓	bolt , butterfly	1
9	600-181-4430	夹	clip	1
10	6127-11-4360	箍带	band	1
11	6643-11-4641	螺栓	bolt	1
12	09637-00160	铭牌	data plate	1
13	6127-01-4821	密封垫	gasket	1
14	01640-21016	垫圈 10	washer	8
15	01602-01030	垫圈 10	washer , spring	8
16	01580-01008	螺母 M10	nut	8
17	6090-01-4250	粗滤器总成	pre-cleaner ass'y	1
18	01016-51045	螺栓	bolt	1
19	01580-11008	螺母	nut	1
20	6711-81-7920	连接器	connector	1
21	600-181-1510	帽	cap	1
22	6711-11-4770	连接管	pipe , ejector	1
22A	6128-11-5302	止回阀组件	valve ass'y	1
22B	01010-31025	螺栓 M10×25	bolt	2
22C	01602-01030	垫圈 10	washer , spring	2
23	6711-11-4780	软管	hose	1
24	07281-00489	软管夹	clamp	2
25	6128-11-5610	密封垫	gasket	2
26	01010-31035	螺栓 M10×35	bolt	2
27	01580-01008	螺母 M10	nut	5
28	01602-01030	垫圈 10	washer , spring	2
29	6711-11-4210	空气连接器	air , connector	1
30	6691-11-4740	软管	hose	1
31	07281-01589	连接箍	clamp	2
32	6711-11-4530	空气连接器托架	bracket, air connector	1
33	01010-31230	螺栓 M12×30	bolt	2
34	01010-31235	螺栓 M12×35	bolt	2
35	01602-11236	弹簧垫圈 12	washer , spring	4
36	02010-70632	螺栓 3/8" ×32	bolt	3

第 103 图 排气管及消音器
FIG. 103 EXHAUST MANFOLD AND MUFFLER

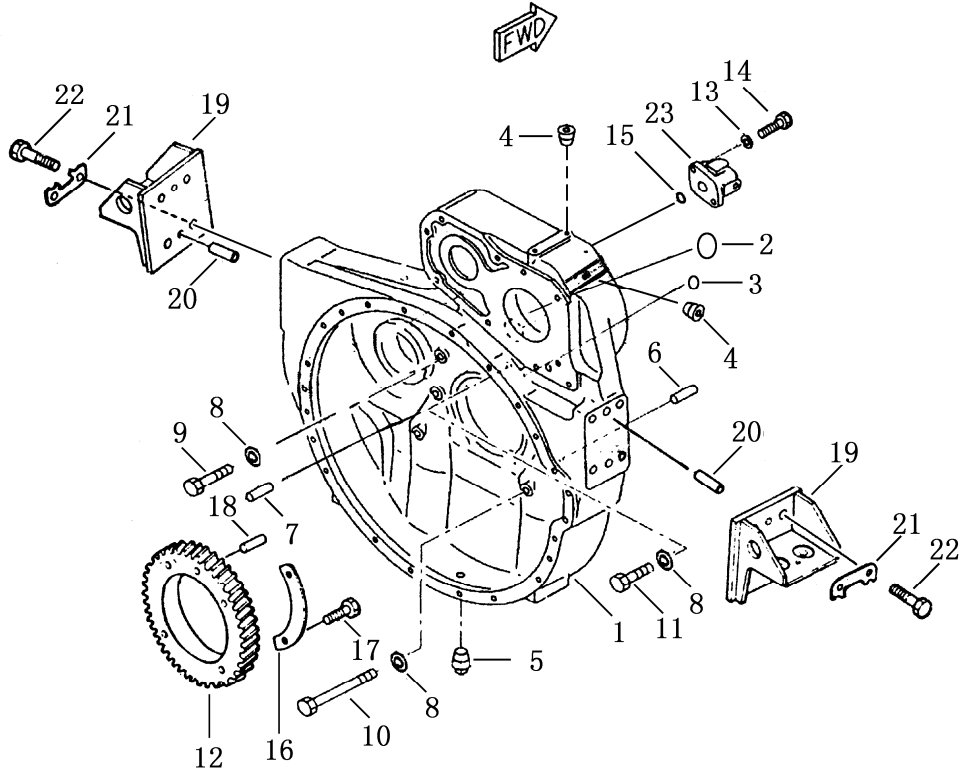


排气管及消音器

EXHAUST MANIFOLD AND MUFFLER

序号 Index No.	件号 Part No.	名称 Description	数量 Q'ty
1	6631-11-5820	管接头 joint	1
2	6693-12-5530	凸缘 flange	1
3	6112-13-5250	密封环 ring , seal	1
4	01020-01030	螺栓 bolt	4
5	6657-11-5590	箍带 hoop	2
6	01010-80870	螺栓 bolt	2
7	01580-20806	螺母 nut	2
8	01602-00825	垫圈 washer , spring	2
9	6711-11-5711	消音器 muffler	1
10	17Y-01-40300	排气管 pipe , exhaust	1
11	01050-61265	螺栓 bolt	4
12	01582-01210	螺母 nut	4
13	6678-51-9520	衬垫 gasket	4
14	6711-11-5781	防雨帽 rainhat	1

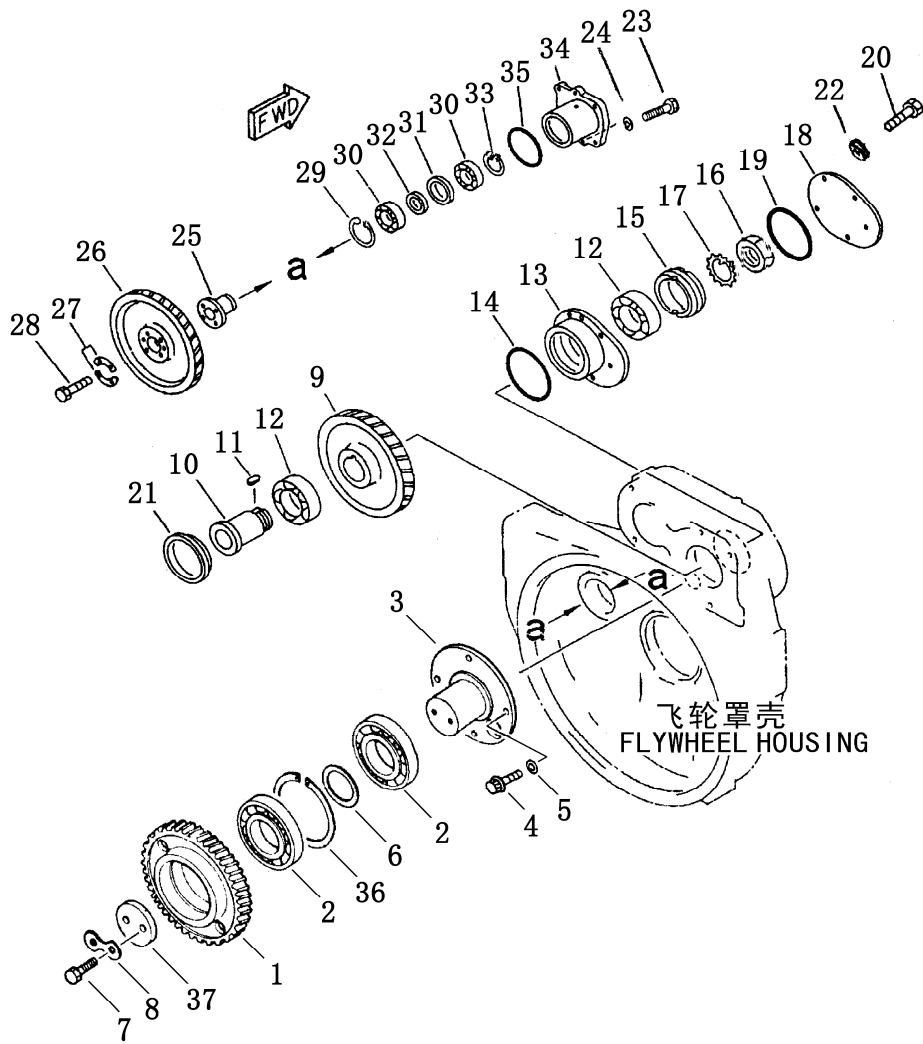
第104图 飞轮罩总成
FIG. 104 FLYWHEEL HOUSING ASS'Y



飞轮罩总成
FLYWHEEL HOUSING ASS'Y

序号 Index No.	件号 Part No.	名称 Description	数量 Q'ty
1	17Y-01-50017	飞轮罩壳 flywheel housing	1
2	07046-15520	皿形塞 plug	1
3	07046-12016	皿形塞 plug	6
4	07043-00108	锥形螺塞 plug ,taper	2
5	07042-00415	锥形螺塞 plug ,taper	1
6	6711-21-C010-2	圆柱销 (B) pin(B),dowel flywheel to cylinder block	1
7	6711-21-C010-1	圆柱销 (A) pin(A),dowel flywheel to cylinder block	1
8	6600-01-2740	弹簧垫圈 washer ,spring	9
9	6710-23-4120	螺栓 bolt	2
10	6710-23-4140	螺栓 bolt	2
11	6710-23-4130	螺栓 bolt	5
12	17Y-01-50018	传动泵齿轮 gear ,pump ,drive	1
13	01602-01030	垫圈 10 washer	2
14	01010-31030	螺栓 bolt	2
15	07000-22012	O形圈 O-ring	1
16	17Y-01-50003	锁板 plate ,lock	2
17	17Y-01-50031	螺栓 bolt	4
18	6623-31-1390	定位销 pin ,dowel	1
19	17Y-01A-10100	后支架 bracket rear	2
20	04020-01434	销 14X34 pin	4
21	17Y-01A-10001	销垫 plate ,lock	4
22	01010-51845	螺栓 M18X45 bolt	8
23	17Y-01-50010	分配器 allotter	1

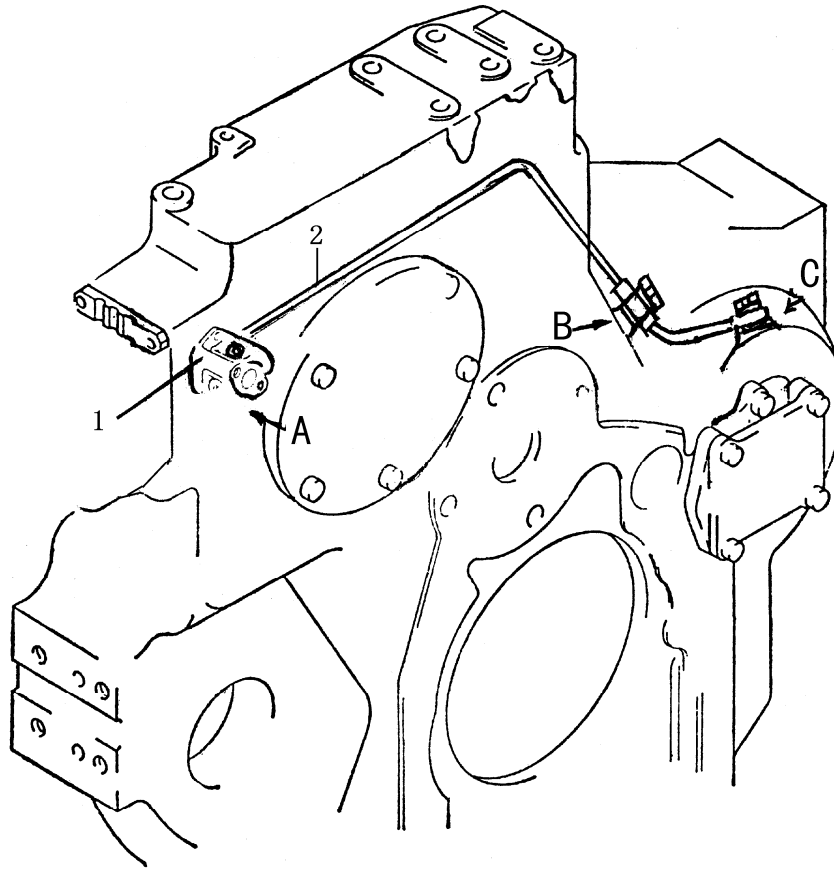
第105图 出力装置
 FIG. 105 POWER TAKE OFF



出力装置
POWER TAKE OFF

序号 Index No.	件号 Part No.	名称 Description	数量 Q'ty
1	17Y-01-50019	惰轮 idler	1
2	GB297-84	圆锥滚子轴承 7217E bearing	2
3	17Y-01-50021	惰轮轴 shaft ,idler	1
4	01016-51230	螺栓 M12×30 bolt	6
5	01643-31232	垫圈 washer	6
6	17Y-01-50020	油杯 collar	1
7	GB5786-86	螺栓 M12×1.5×25 bolt	2
8	17Y-01-50029	锁垫 gasket ,lock	1
9	17Y-01-50025	泵传动齿轮 gear ,pump drive	1
10	6691-21-4170	泵传动轴 shaft	1
11	04000-01850	平键 18×50 key	1
12	GB276-82	轴承 214 bearing	2
13	17Y-01-50024	轴承罩 cover ,bearing	1
14	07000-03145	O 形圈 140×3.5 O-ring	1
15	17Y-01-50023	衬套 bushing	1
16	01530-06814	螺母 M68×2 nut	1
17	01658-26823	垫圈 68 washer	1
18	17Y-01-50009	板 plate	1
19	07000-03140	O 形圈 140×3.5 O-ring	1
20	01010-51030	螺栓 M10×30 bolt	5
21	6691-21-4190	定位环 ring ,dowel	1
22	01602-01030	垫圈 10 washer	5
23	01010-31035	螺栓 M10×35 bolt	2
24	01602-01030	垫圈 10 washer	2
25	6691-23-4311	轴 shaft	1
26	17Y-01-50016	泵传动齿轮 gear ,pump driver	1
27	6645-22-4550	锁板 plate ,lock	2
28	GB5786-86	螺栓 M10×1.25×30 bolt	4
29	04065-07525	挡圈 75 ring ,snap	1
30	GB276-82	轴承 109 bearing	2
31	6645-21-4540	衬垫 A gasket	1
32	6691-21-4560	衬垫 B gasket	1
33	04064-04518	挡圈 45 ring ,snap	1
34	17Y-01-50013	轴承壳 case ,bearing	1
35	07000-03100	O 形圈 O-ring	1
36	17Y-01-50022	卡环 ring snap	1
37	17Y-01-50028	压盘 platen	1

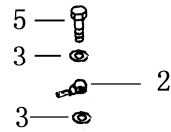
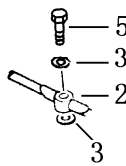
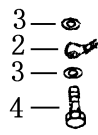
第106图 出力装置润滑油管
 FIG. 106 P.T.O.LUBRICATING OIL PIPING



图示A

图示B

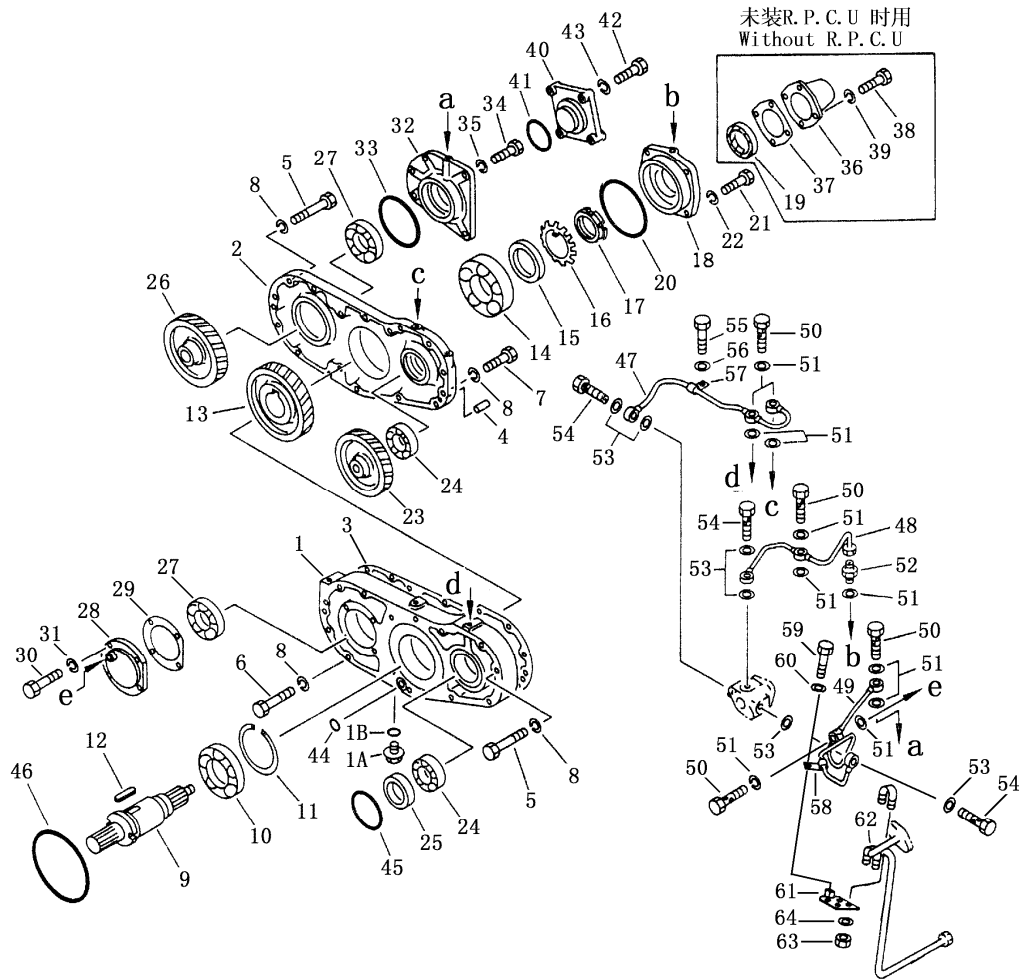
图示C



出力装置润滑油管
P.T.O.LUBRICATING OIL PIPING

序号 Index No.	件 号 Part No.	名 称 Description	数量 Q'ty
1	17Y-01-50010	分配器 allotter	1
2	17Y-01-51000	管 pipe	1
3	07005-01012	密封垫圈 gasket	6
4	07206-20610	铰接螺栓 bolt	1
5	6600-01-3860	螺栓 bolt	2

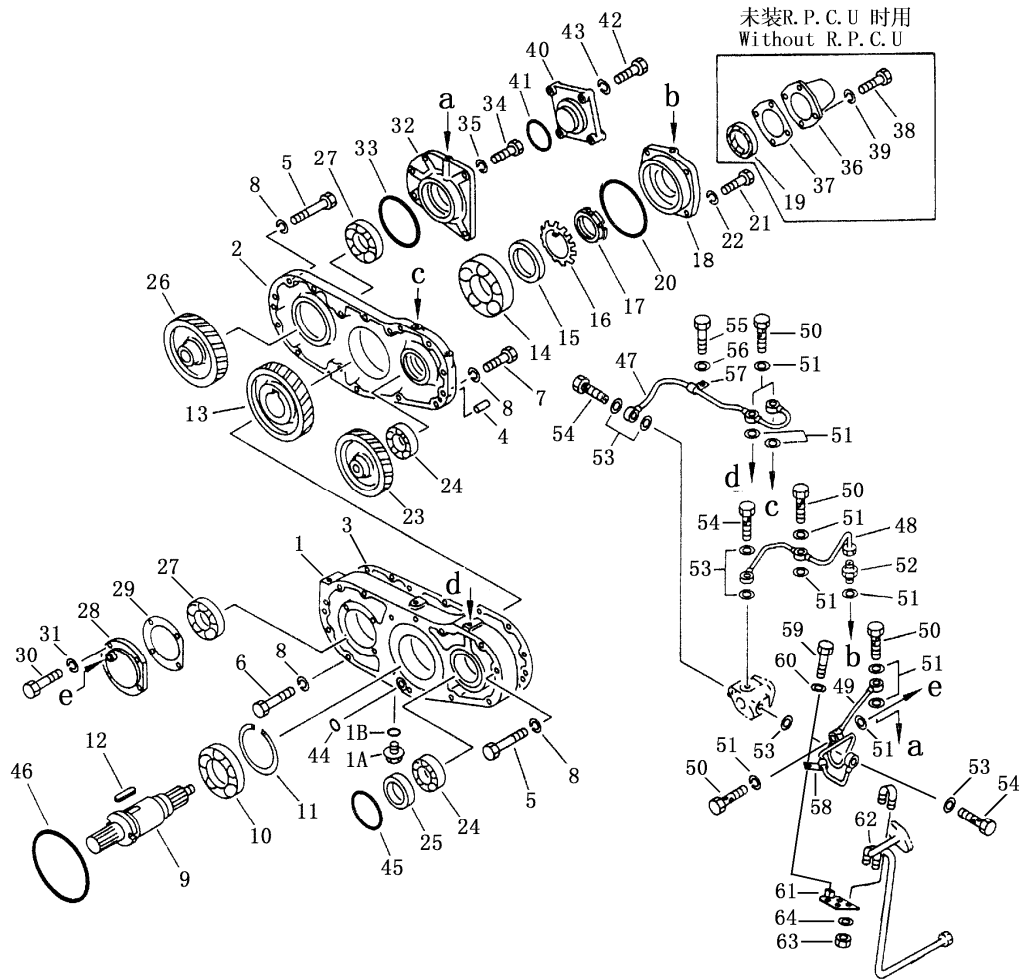
第107图 分动箱
 FIG.107 TRANSFER CASE



分动箱
TRANSFER CASE

序号 Index No.	件号 Part No.	名称 Description	数量 Q'ty	
	(154-38-00072)	分动箱总成	transfer case ass'y	1
1	154-38-25110	齿轮箱	gear case	1
1A	07044-12412	堵	plug	1
1B	07002-02434	O形圈	O-ring	1
2	154-01-12121	分动箱	transfer case	1
3	154-01-12131	(箱)填密垫	gasket , case	1
4	04020-01024	定位销	pin ,dowel	2
5	01011-51205	螺栓	bolt	13
6	01010-51275	螺栓	bolt	2
7	01010-51250	螺栓	bolt	2
8	01602-21236	弹簧垫圈	washer spring	17
9	154-01-12220	轴	shaft	1
10	154-01-12280	滚柱轴承	bearing roller	1
11	150-21-22180	卡环	ring snap	1
12	04000-02050	键	key	2
13	154-01-12230	齿轮	gear	1
14	06040-06314	滚珠轴承	bearing ball	1
15	154-01-12240	套环	ringer	1
16	01658-16823	锁紧垫圈	washer, lock	1
17	01530-06814	螺母	nut	1
18	154-01-12250	盖	cover	1
19	07012-00060	油封	seal oil	1
20	07000-05150	O形圈	O-ring	1
21	01010-51230	螺栓	bolt	4
22	01602-21236	弹簧垫圈	washer , spring	4
23	154-38-25150	齿轮	gear	1
24	06040-06209	滚珠轴承	bearing ball	2
25	154-01-12320	环	ring	1
26	154-38-25120	齿轮	gear	1
27	06040-06212	滚柱轴承	bearing roller	2
28	154-01-12420	盖	cover	1
29	154-01-12431	填密垫	gasket	1
30	01010-51025	螺栓	bolt	4
31	01602-21030	弹簧垫圈	washer spring	4
32	154-38-25130	轴承盖	cap, bearing	1
33	07000-05130	O形圈	O-ring	1
34	01010-51250	螺栓	bolt	2
35	01602-21236	弹簧垫圈	washer spring	2
36	154-01-12260	盖	cover	1

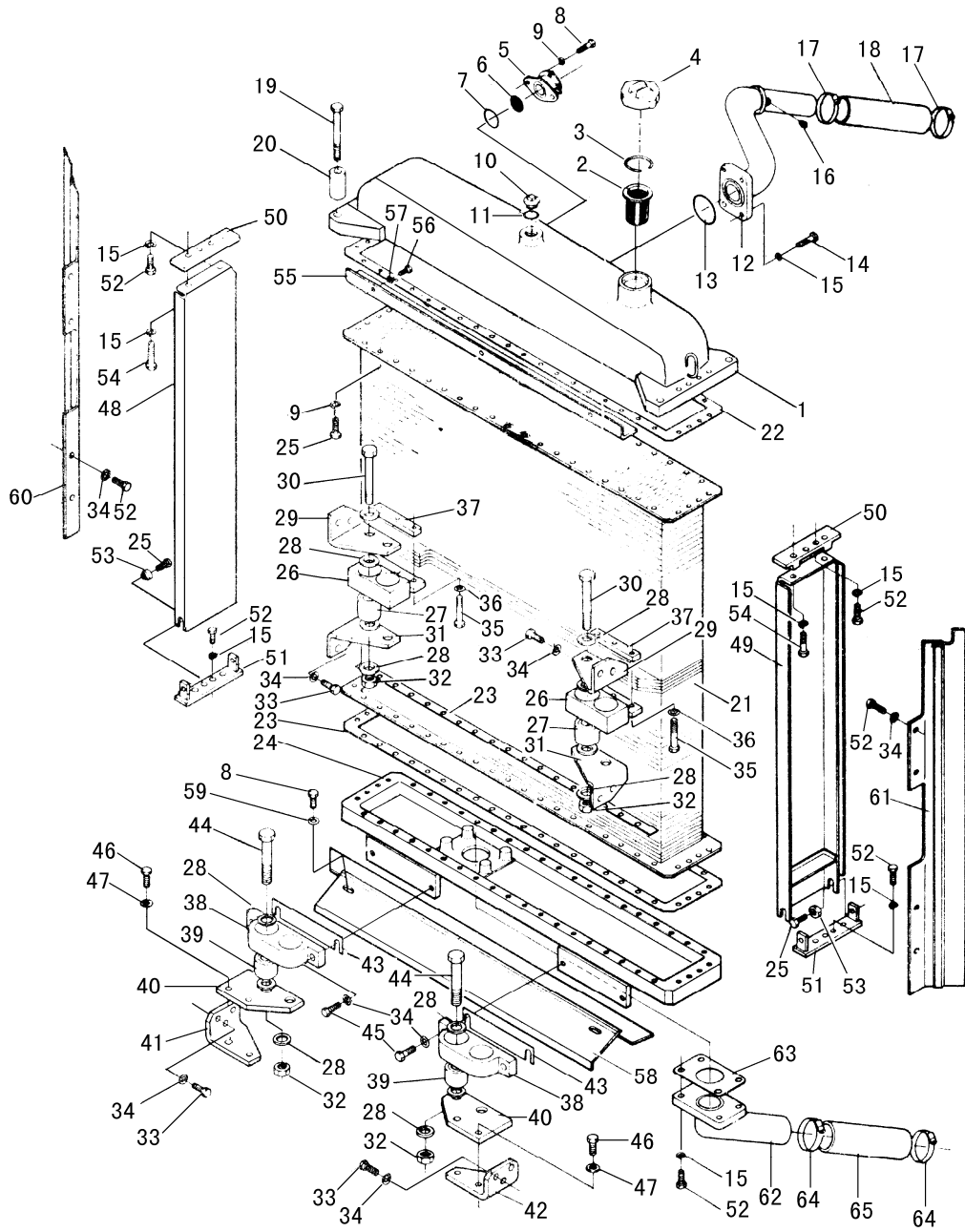
第107图 分动箱
 FIG.107 TRANSFER CASE



分动箱
TRANSFER CASE

序号 Index No.	件号 Part No.	名称 Description	数量 Q'ty
37	154-01-12271	填密垫 gasket	1
38	01010-51025	螺栓 bolt	4
39	01602-21030	弹簧垫圈 washer spring	4
40	154-01-12450	盖 cover	1
41	07000-03078	O形圈 O-ring	1
42	01010-51245	螺栓 bolt	4
43	01602-21236	弹簧垫圈 washer spring	4
44	07000-03030	O形圈 O-ring	1
45	07000-02105	O形圈 O-ring	1
46	07000-05195	O形圈 O-ring	1
47	154-01-21730	管子 tube	1
48	154-01-21720	管子 tube	1
49	154-01-21740	管子 tube	1
50	6600-01-3860	铰接螺栓 bolt joint	5
51	07005-01012	填密垫 gasket	11
52	154-01-12520	管接头 joint	1
53	07005-01012	填密垫 gasket	6
54	07206-30710	铰接螺栓 bolt joint	3
55	01010-51220	螺栓 bolt	1
56	01643-31232	垫圈 washer	1
57	08036-10614	夹子 clip	1
58	198-38-12330	夹子 clip	1
59	01010-51025	螺栓 bolt	1
60	01643-31032	垫圈 washer	1
61	154-01-21760	弯管 elbow	1
62	07283-21524	夹子 clip	2
63	01598-00809	螺母 nut	4
64	01643-30823	垫圈 washer	4

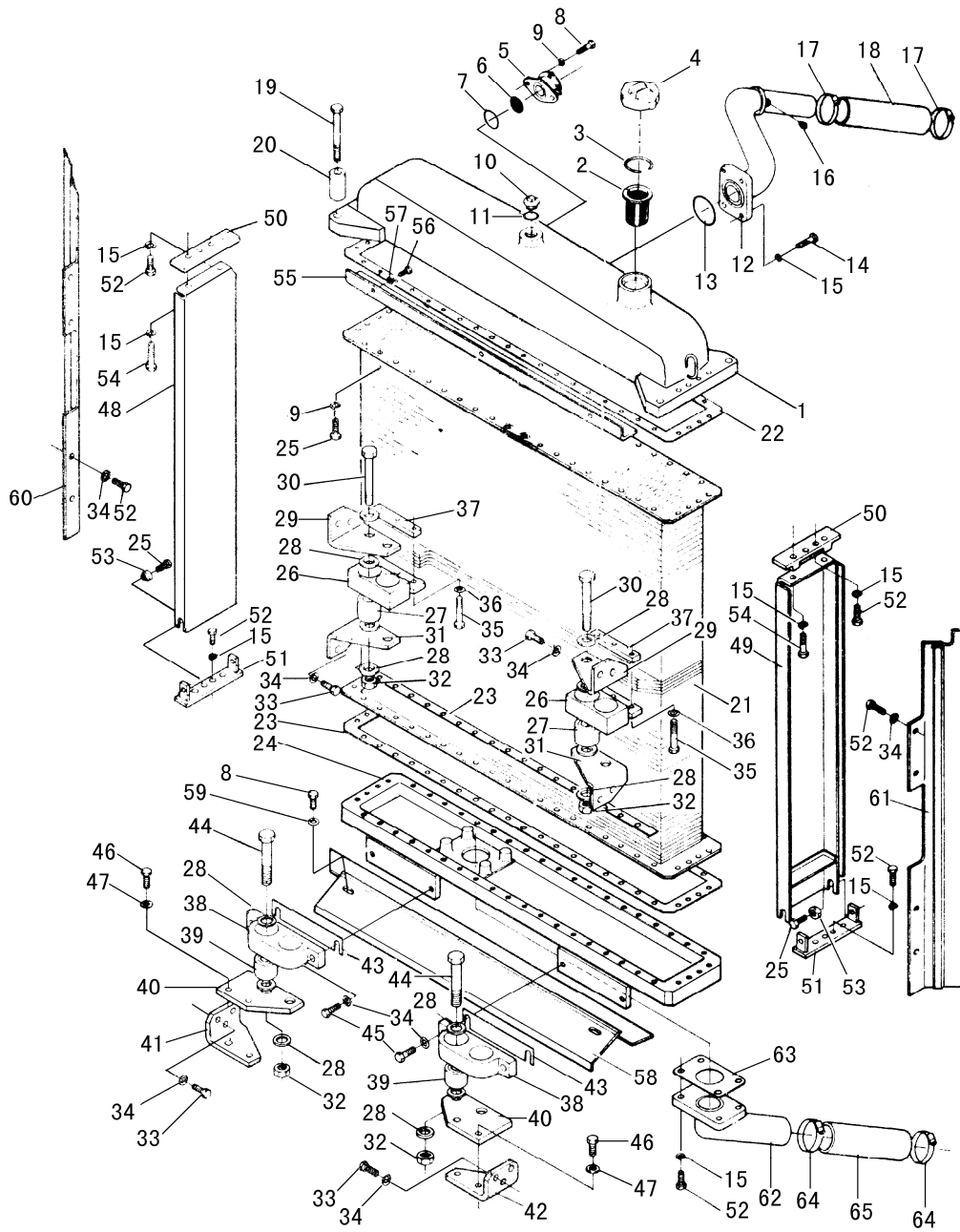
第 108 图 散热器
FIG.108 RADIATOR



散热器 RADIATOR

序号 Index No.	件号 Part No.	名称 Description	数量 Q'ty		
			SD23 SD23E	SD23S SD23R	SD23D
	17Y-03-90000	水箱 radiator	1		
	22M-03-80000	水箱 radiator			
1	154-03-11117	上箱 tank upper	1		1
	22M-03-80700	上箱 tank upper			
2	07056-00048	滤网 net	1		1
3	07057-03271	卡环 ring	1		1
4	07053-10000	箱帽 cap	1		1
5	154-03-11682	压力阀 valve pressure	1		1
6	175-03-32570	滤网 net	1		1
7	07000-43045	O形密封圈 O-ring	1		1
8	01010-51025	螺栓 M10×25 bolt	4		1
9	01602-21030	弹簧垫圈 washer spring	82		4
10	07040-13618	螺塞 M36×1.5 plug	1		82
11	07002-43634	O形密封圈 O-ring	1		1
12	17Y-03-31000	管总成 tube ass'y	1		1
13	07000-42070	O形圈 70×3.1 O-ring	1		1
14	01010-51240	螺栓 M12×40 bolt	4		1
15	01602-21236	垫圈 12 washer spring	24		4
16	07042-30108	螺塞 R 1/8" plug	1		24
17	07281-00809	喉箍 clamp	2		1
18	154-03-11574	软管 hose	1		2
19	01011-51640	螺栓 M16×40 bolt	4		1
20	154-03-13240	衬垫 gasket	4		4
21	154-03-21132	型芯 core	1		4
	22M-03-80500	型芯 core			
22	154-03-11143	填密垫 gasket	2		1
	22M-03-80004	填密垫 gasket			
23	154-03-11131	垫板 plate	4		2
	22M-03-80005	垫板 plate			
24	154-03-21123	下箱 tank lower	1		4
	22M-03-80200	下箱 tank lower			
25	01010-51030	螺栓 M10×30 bolt	24		1
	195-03-22400	减振器总成 vibroshock ass'y	2		24
26	195-03-22530	托架 bracket	2		2
27	195-03-22520	减振器 vibroshock	4		2
					4

第 108 图 散热器
 FIG.108 RADIATOR

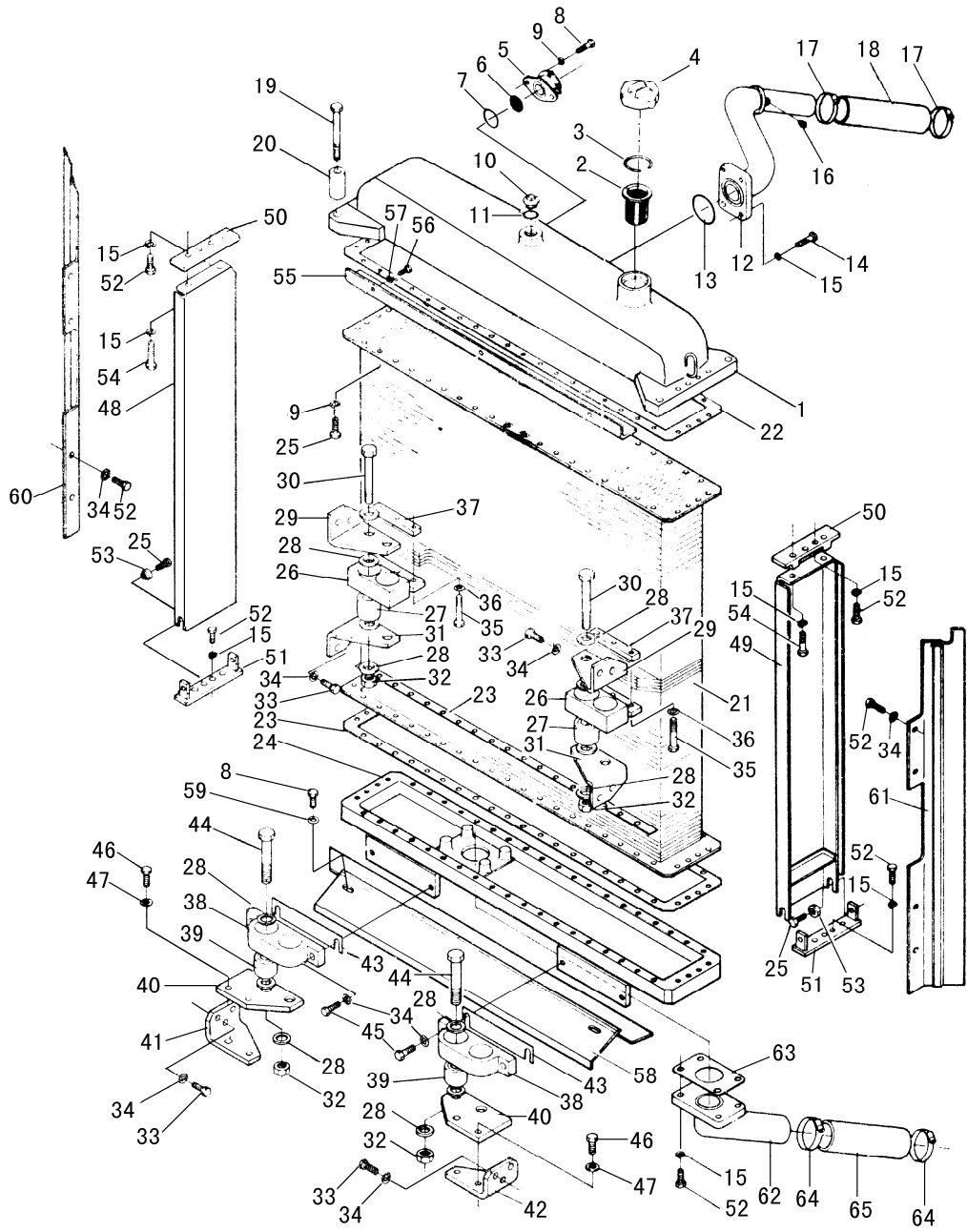


散热器
RADIATOR

序号 Index No.	件 号 Part No.	名 称 Description	数量 Q'ty		
			SD23 SD23E	SD23S SD23R	SD23D

28	01643-32260	加厚垫圈	washer	28	28
29	154-03-13160	上托架	bracket upper	2	2
30	01091-52220	螺栓 M22×1.5×120	bolt	4	4
31	154-03-13170	下托架	bracket lower	2	2
32	01580-12218	螺母 M22×1.5	nut	8	8
33	01010-51230	螺栓 M12×30	bolt	14	14
34	01643-31232	加厚垫圈 12	washer	26	26
35	01010-51075	六角头螺栓 M10×75	bolt	6	6
36	01643-31032	加厚垫圈 10	washer	6	6
37	198-03-21530	压板	plate	2	2
	195-03-22500	减振器总成	vibroshock ass'y	2	2
38	195-03-22540	托架	bracket	2	2
39	195-03-22520	减振器	vibroshock	4	4
40	159-03-13250	托架	bracket	2	2
41	154-03-11973	托架(右)	bracket R.H	1	1
42	154-03-11963	托架(左)	bracket L.H	1	1
43	195-03-22270	垫片	shim	12	12
44	01091-52205	螺栓 M22×1.5×105	bolt	4	4
45	01010-51245	螺栓 M12x45	bolt	4	4
46	01010-51435	螺栓 M14×35	bolt	4	4
47	01643-31445	垫圈 14	washer	4	4
48	154-03-12842	遮护板(右)	wind-break R.H	1	1
49	154-03-12823	遮护板(左)	wind-break L.H	1	1
50	154-03-13140	垫	gasket	2	2
51	159-03-13150	板	plate	2	2
52	01010-51235	螺栓 M12x35	bolt	24	24
53	195-03-22160	座	pedestal	4	4
54	01010-51250	六角头螺栓 M12×50	bolt	4	4
55	154-03-12771	护风罩	encloser wind-break	1	1

第 108 图 散热器
FIG.108 RADIATOR



散热器

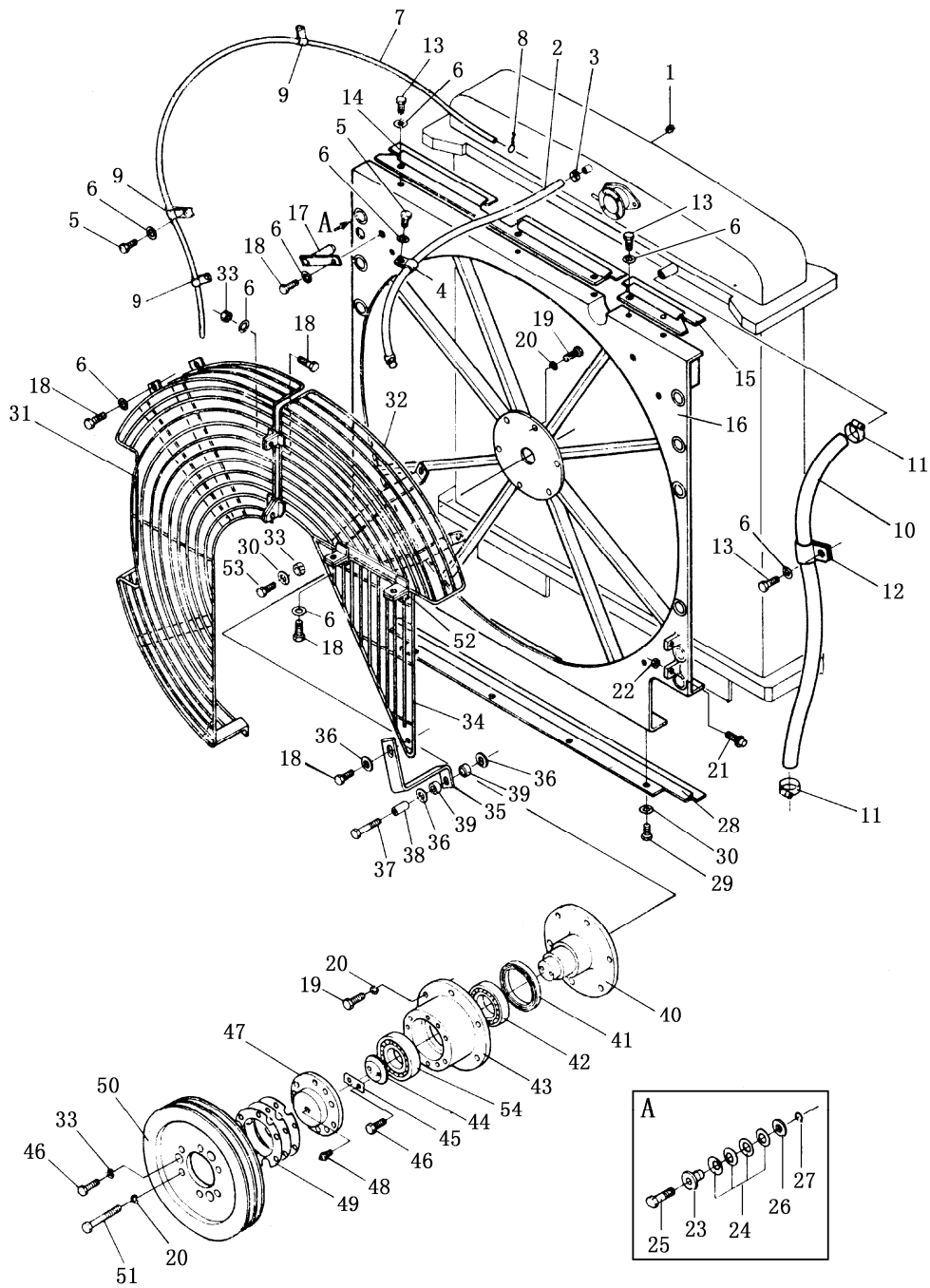
RADIATOR

序号 Index No.	件 号 Part No.	名 称 Description	数量 Q'ty		
			SD23 SD23E	SD23S SD23R	SD23D
56	01010-51020	螺栓 M10×20 bolt	3		3
57	01643-31032	垫圈 10 washer	3		3
58	23Y-03-02000	护风罩 encloser wind-break	1		1
59	01643-31032	加厚垫圈 washer	2		2
60	23Y-03-01000	护风罩(左) wind-break L.H	1		1
61	154-03-12792	护风罩(右) wind-break R.H	1		1
62	154-03-11587	弯管 tube	1		1
63	17Y-03-00007	垫 gasket	1		1
64	07281-00909	喉箍 clamp	2		2
65	154-03-11594	软管 hose	1		1

第 109 图

散热器管路及护风罩

FIG. 109 RADIATOR PIPING AND WIND BREAK



散热器管路及护风罩

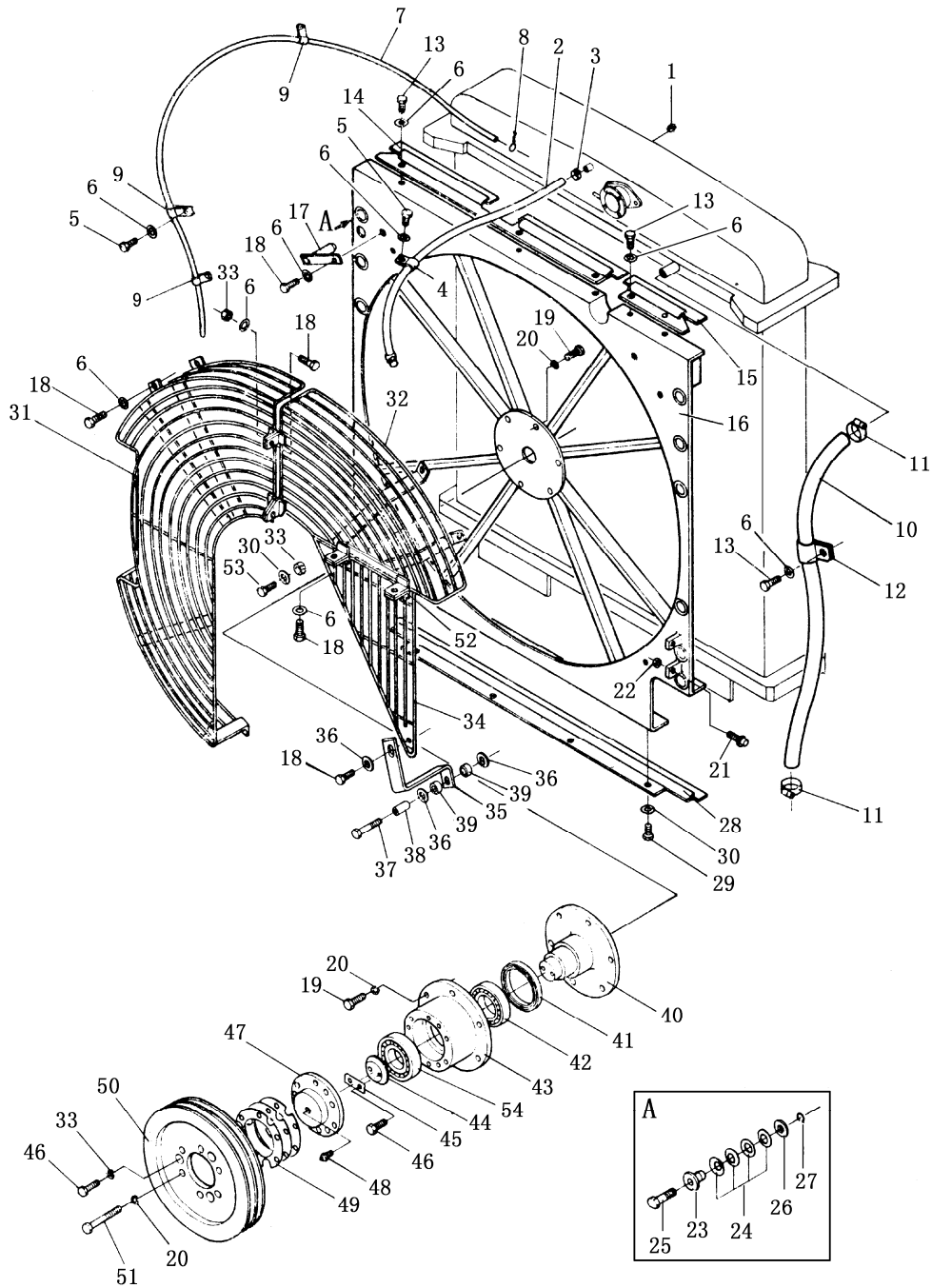
RADIATOR PIPING AND WIND BREAK

序号 Index No.	件号 Part No.	名称 Description	数量 Q'ty
1	01049-01012	堵 10 plug	1
2	17Y-03-00002	软管 hose	1
3	07281-00197	喉箍 clamp	2
4	08036-01814	管夹 clip	1
5	01010-51220	螺栓 bolt	3
6	01643-31232	垫圈 12 washer	17
7	195-03-13131	管 tube	1
8	GB3206-82	铁丝 $\phi 1 \times 100$ wire	1
9	195-03-11690	夹子 clip	3
10	17Y-03-00003	软管 hose	1
11	07281-00419	喉箍 clamp	2
12	195-03-11511	夹子 clip	1
13	01010-51225	螺栓 M12 \times 45 bolt	6
14	154-03-13231	护风罩 (左上) wind-break L.H upper	1
15	154-03-13270	护风罩 (右上) wind-break R.H upper	1
16	154-03-12626	保护架 guard	1
17	175-03-32710	销 pin	1
18	01010-51230	螺栓 M12 \times 30 bolt	9
19	01010-51235	螺栓 M12 \times 35 bolt	12
20	01602-21236	垫圈 12 washer	18
21	09311-31237	缓冲螺栓 bolt	4
22	01580-11210	螺母 M12 nut	6
23	154-03-13180	套 bushing	12
24	175-54-27350	弹簧 spring	48
25	01010-51255	螺栓 bolt	12
26	01643-32060	加厚垫圈 20 washer	12
27	175-54-28770	卡环 ring	12
28	154-03-12823	护风罩 wind-break	1
29	01010-51020	螺栓 bolt	4
30	01643-31032	垫圈 10 washer	6
31	17Y-03-11000	网 (左) net L.H	1
32	17Y-03-12000	网 net	1
33	01580-11210	螺母 M12 nut	6
34	154-03-12653	网 (右下) net R.H lower	1
35	17Y-03-00025	撑条 support	1
36	124-54-26540	垫圈 washer	3
37	01010-51265	螺栓 M12 \times 65 bolt	1
38	170-03-13130	衬垫 gasket	1
39	154-03-12880	座垫 gasket	2

第 109 图

散热器管路及护风罩

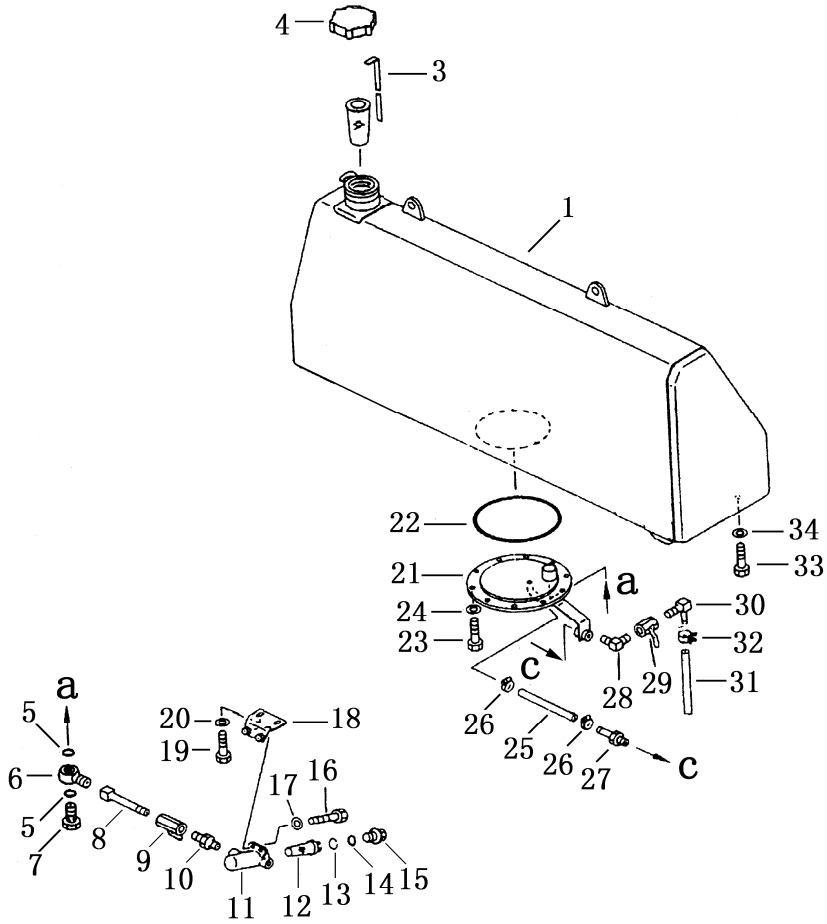
FIG. 109 RADIATOR PIPING AND WIND BREAK



散热器管路及护风罩
RADIATOR PIPING AND WIND BREAK

序号 Index No.	件号 Part No.	名称 Description	数量 Q'ty
40	154-03-C1110	轴 shaft	1
41	07011-10090	骨架油封 seal	1
42	GB276-82	单列向心球轴承 4G212 bearing	1
43	154-03-C1120	罩壳 encloser	1
44	195-03-11840	压板 plate	1
45	195-03-11850	锁垫 gasket, lock	1
46	01010-51030	螺栓 bolt	5
47	155-03-14150	盖 cover	1
48	07020-01018	直通式压注油杯 M14×1 fitting grease	1
49	195-03-11880	填片 shim	14
50	154-03-11981	皮带轮 pulley	1
	22M-03-00001	皮带轮 (SD23D 用) pulley	1
51	01016-51270	螺栓 M12×10 bolt	6
52	17Y-03-80000	托架 bracket	1
53	01010-51035	螺栓 M10×35 bolt	2
54	GB276-82	单列向心球轴承 4G310 bearing	1

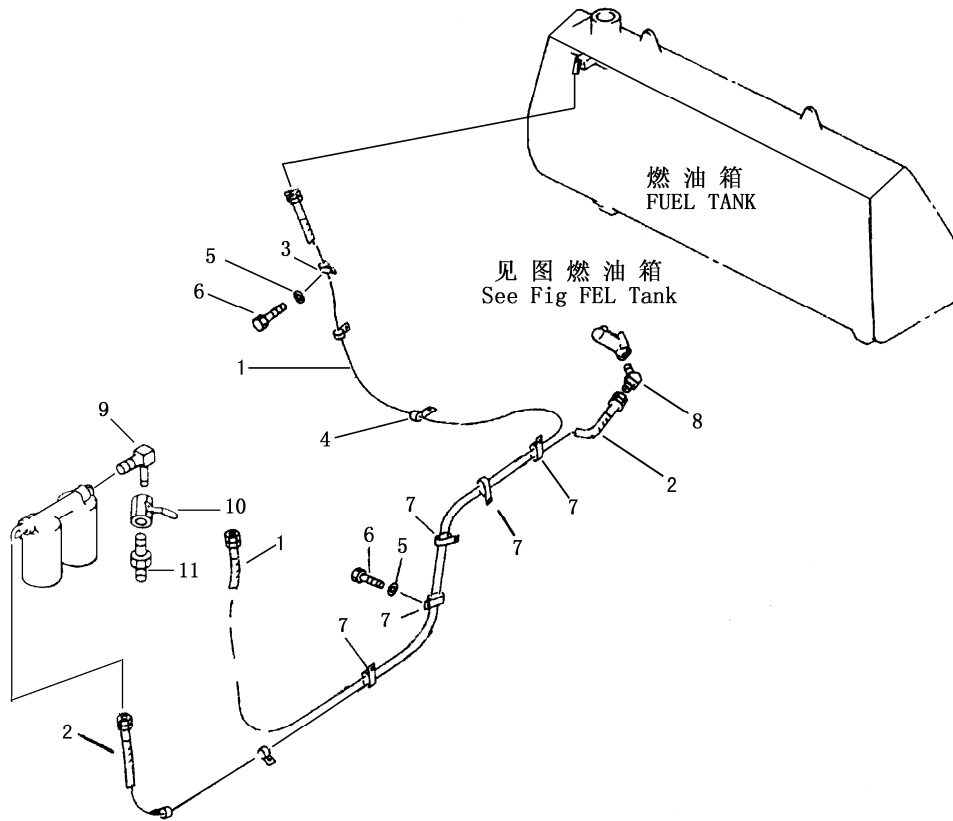
第 110 图 燃油箱
FIG. 110 FUEL TANK



燃油箱
FUEL TANK

序号 Index No.	件号 Part No.	名称 Description	数量 Q'ty
1	17Y-04B-01000	燃油箱 tank fuel	1
3	154-04-51140	油尺 gauge	1
4	16Y-04C-02000	燃油箱盖 cap, fuel tank	1
5	07000-03035	O形圈 O-ring	2
6	195-04-11230	眼圈接头 joint eye	1
7	195-04-11280	螺栓接头 bolt joint	1
8	21T-26-71130	连接器 adapter(without towing winch)	1
9	07700-40460	阀门 valve	1
10	07325-10400	接头 nipple	1
	07058-20000	过滤器 filter ass'y	1
11	07058-00001	箍 hoop	1
12	07058-00005	芯 element	1
13	07058-00006	环 ring	1
14	07002-04234	O形圈 O-ring	1
15	07058-00007	堵 plug	1
16	01010-50825	螺栓 bolt	2
17	01643-30823	垫圈 washer	2
18	155-04-11211	托架 bracket(without towing winch)	1
19	01010-51225	螺栓 bolt	2
20	01643-31232	垫圈 washer	2
21	15A-04-11111	盖 cover	1
22	07000-05290	O形圈 O-ring	1
23	01010-31025	螺栓 bolt	10
24	01643-31032	垫圈 washer	10
25	07270-21022	软管 tube	1
26	07281-00197	喉箍 clamp	2
27	154-04-11540	接头 nipple	1
28	20D-68-11670	弯头 elbow	1
29	07700-40240	阀门 valve	1
30	205-04-62130	弯管接头 elbow(without towing winch)	1
31	07270-01065	软管 tube	1
32	07281-00197	喉箍 clamp	1
33	01010-52040	螺栓 bolt	4
34	01643-32060	垫圈 washer	4

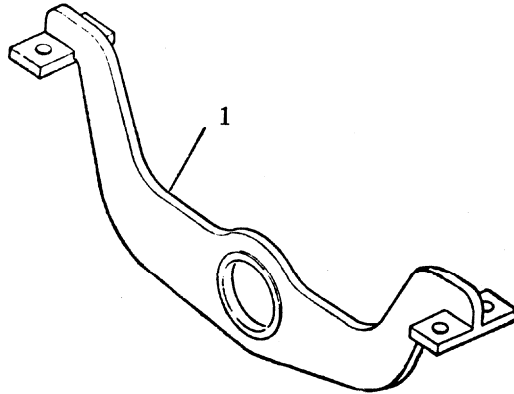
第 111 图 燃油管路
FIG. 111 FUEL PIPING



燃油管路
FUEL PIPING

序号 Index No.	件号 Part No.	名称 Description	数量 Q'ty
1	17Y-04-01000	软管 (回) hose	1
2	17Y-04-02000	软管 (进) hose	1
3	17Y-04-09000	管夹 clip	3
4	17Y-04-10000	管夹 clip	1
5	01643-31232	垫圈 washer	8
6	01010-51225	螺栓 bolt	8
7	17Y-04-11000	管夹 clip	5
8	17Y-04-00011	接头 joint	1

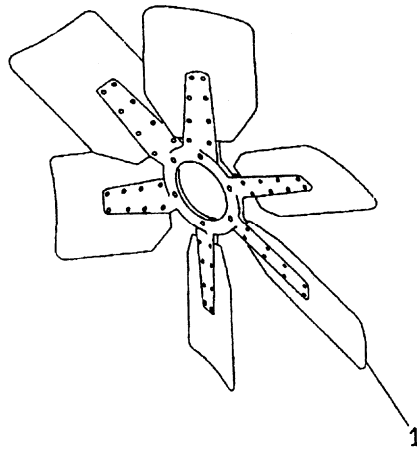
第 112 图 前 支 架
 FIG. 112 FRONT SUPPORT



前 支 架
 FRONT SUPPORT

序号 Index No.	件 号 Part No.	名 称 Description	数量 Q'ty
1	6711-21-3711	前支架 support, front	1

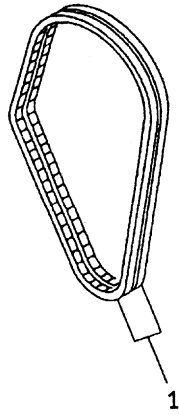
第 113 图 风扇
FIG. 113 FAN



风扇
FAN

序号 Index No.	件号 Part No.	名称 Description	数量 Q'ty
1	600-643-1060	风扇 fan	1

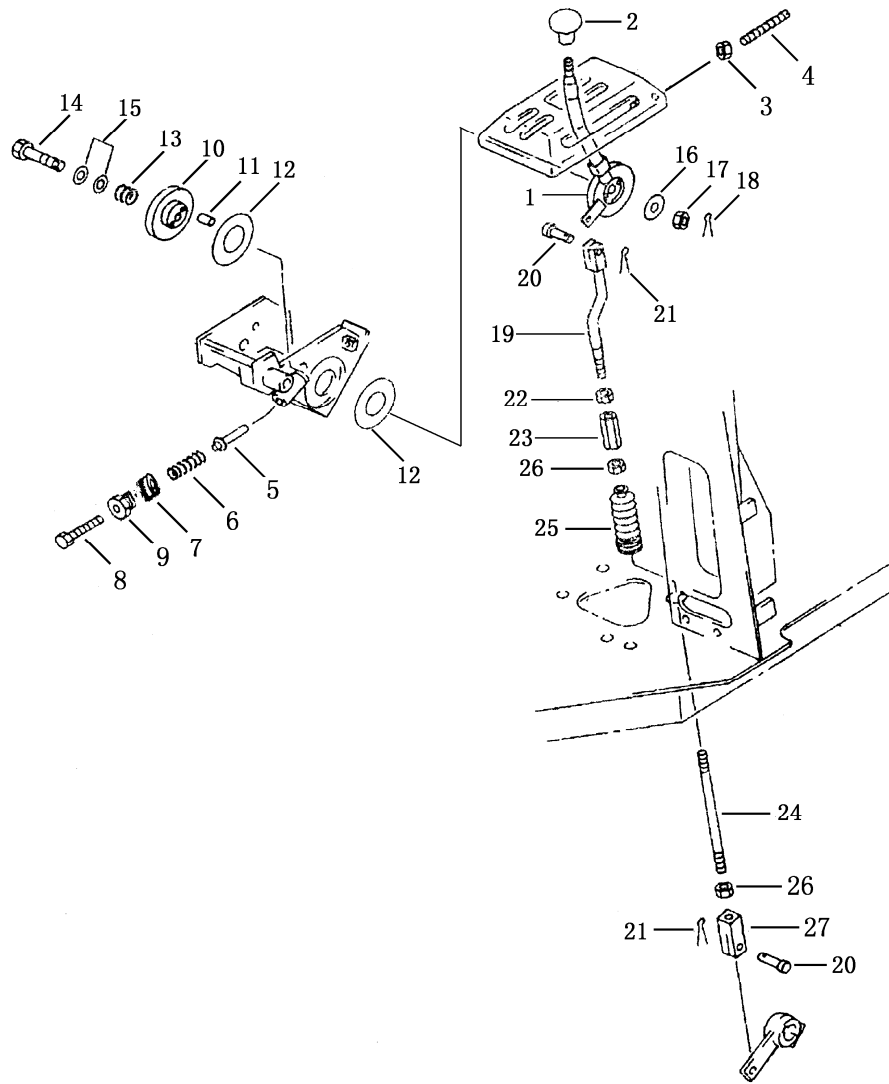
第 114 图 风扇皮带
 FIG. 114 FAN BELT



风扇皮带
 FAN BELT

序号 Index No.	件号 Part No.	名称 Description	数量 Q'ty		
			SD23 SD23E	SD23S SD23R	SD23D
1	04121-22285	风扇皮带 V-belt set	1		
	04121-22283	风扇皮带 V-belt set			1

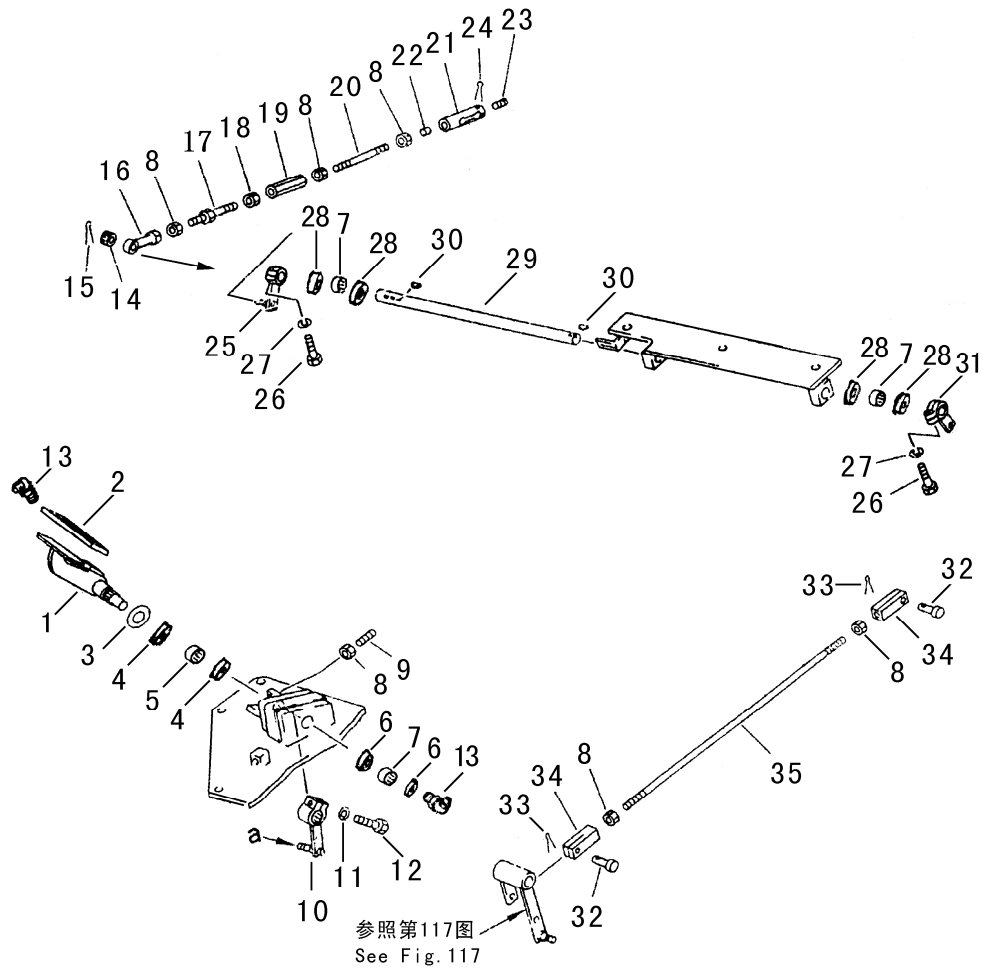
第 115 图 油门操纵
FIG. 115 FUEL CONTROL LEVER



油门操纵
FUEL CONIROL LEVER

序号 Index No.	件号 Part No.	名称 Description	数量 Q'ty
1	154-43-44110	油门操纵杆 lever	1
2	09304-01250	手柄 knob	1
3	GB6172-86	六角薄螺母 M10 nut	1
4	154-43-44270	螺钉 screw	1
5	17Y-05-00008	销 pin	1
6	170-54-11230	弹簧 spring	1
7	17Y-05-00006	垫 washer	1
8	01016-50860	垫螺栓 M8×60 bolt	1
9	154-43-44250	螺帽 cap	1
10	154-43-14710	园盘 disc	1
11	04020-00616	销 6×16 pin	1
12	154-43-44280	磨擦衬片 facing	2
13	154-43-14690	弹簧 spring	1
14	01052-51265	螺栓 M12×1.5×65 bolt	1
15	01640-21223	垫圈 12 washer	2
16	101-43-11380	垫 gasket	1
17	01593-11210	螺母 M12×1.5 nut	1
18	04050-13030	开口销 3×30 pin	1
19	154-43-44120	杆 rod	1
20	04205-10822	销轴 8×22 pin	2
21	04050-12016	开口销 2×16 pin cotter	2
22	01508-21006	螺母 M10×1.25 nut	1
23	178-43-12180	调整螺母 adjusting nut	1
24	04245-41025	杆 rod	1
25	195-43-42280	橡胶套 bellows	1
26	01582-11008	螺母 M10×1.25 nut	2
27	198-43-18170	叉口板 yoke	1

第 116 图 减 速 踏 板
 FIG. 116 DECELERATOR PEDAL

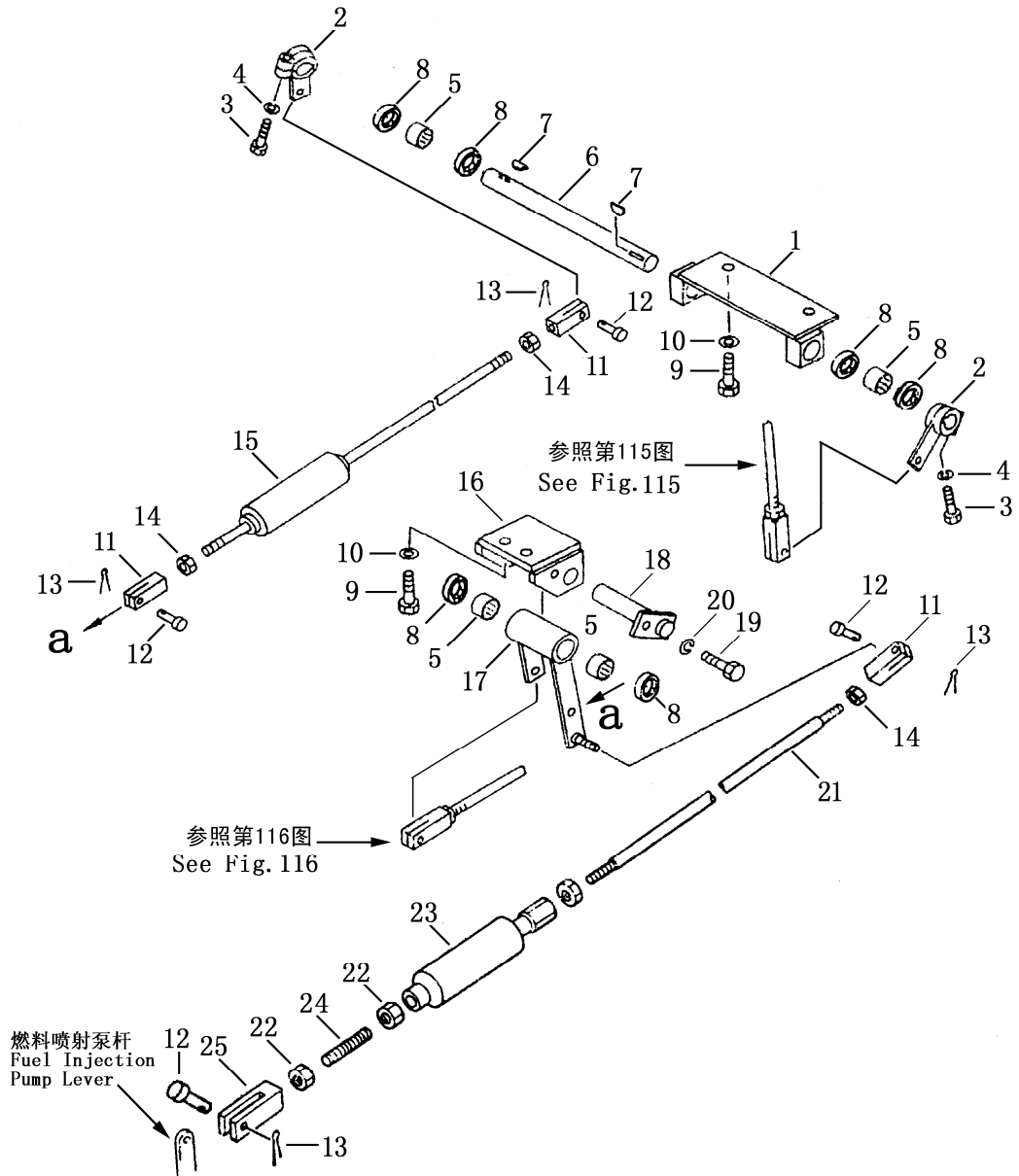


减速踏板

DECCELERATOR PEDAL

序号 Index No.	件 号 Part No.	名 称 Description	数量 Q'ty
1	195-43-42350	脚踏板 pedal	1
2	17Y-05-00016	橡胶板 cover rubber	1
3	01643-32460	垫圈 washer	1
4	06122-02504	防尘密封圈 seal ring	2
5	GB290-82	只有冲压外圈的滚针 bearing, roller	1
6	06122-02004	轴承 20941/25 needle	1
7	GB290-82	防尘密封圈 seal ring	2
8	01582-11008	只有冲压外圈的滚针 bearing, roller	3
9	175-43-35210	轴承 37941/20 needle	1
10	17Y-05-08000	螺母 M10×1.25 nut	6
11	01643-31032	螺钉 screw	1
12	01010-51040	杠杆 lever	1
13	07021-01090	垫圈 10 washer	1
14	01593-11008	螺栓 M10×40 bolt	1
15	04050-12018	接头式压注油杯 fitting grease	2
16	04250-81056	螺母 M10×1.25 bolt	1
17	04248-31016	开口销 2×18 pin cotter	1
18	01508-21006	关节轴承 end rod	1
19	176-43-43190	杆 rod	1
20	04245-41019	螺母 M10×1.25 左 nut	1
21	195-43-42410	调整螺母 adjusting nut	1
22	17Y-05-00019	杆 rod	1
23	154-44-14570	调整螺母 adjusting nut	1
24	04050-12022	挡销 pin, stopper	1
25	154-43-44231	挡销 pin, stopper	1
26	04050-12022	开口销 2×22 pin cotter	1
27	154-43-44231	杠杆 lever	1
28	01010-50830	螺栓 M8×30 bolt	2
29	01602-20825	垫圈 8 washer spring	2
30	06122-02004	防尘密封圈 seal ring	4
31	154-43-44240	轴 shaft	1
32	04010-00519	半园键 half-round key	2
33	17Y-05-10000	杠杆 lever	1
34	04205-10822	销轴 8×22 pin	2
35	04050-12016	开口销 2×16 pin cotter	2
36	198-43-18170	叉口板 yoke	2
37	04245-41062	杆 rod	1

第 117 图 油门操纵联动装置
 FIG. 117 FUEL CONTROL LINKAGE

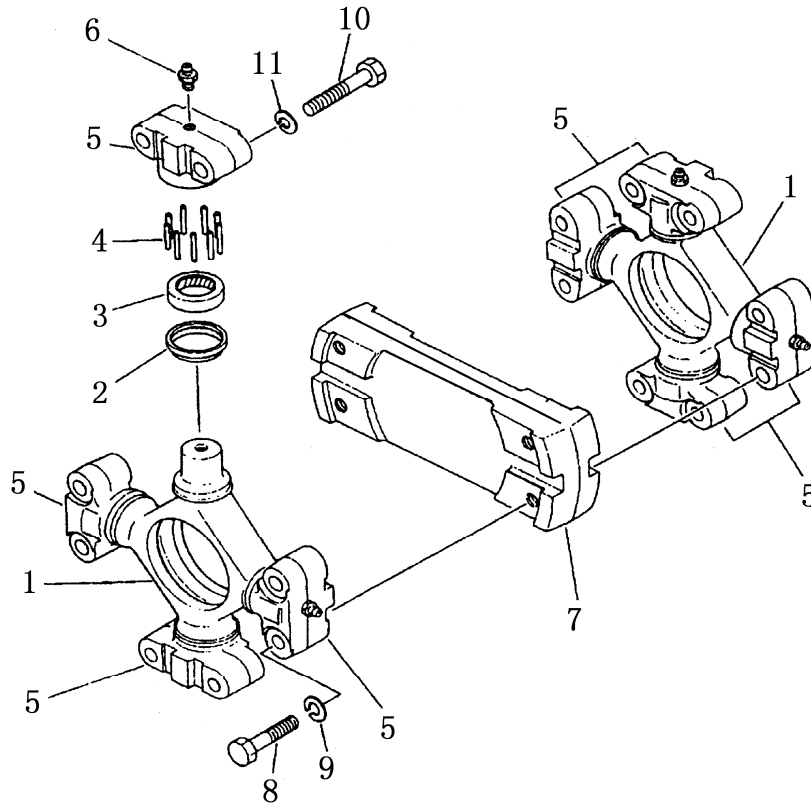


油门操纵联动装置
FUEL CONTROL LINKAGE

序号 Index No.	件号 Part No.	名称 Description	数量 Q'ty
1	17Y-05-11000	支架 bracket	1
2	17Y-05-10000	杠杆 lever	2
3	01010-50830	螺栓 M8×30 bolt	2
4	01602-20825	垫圈 8 washer spring	2
5	GB290-82	只有冲压外圈的滚针 bearing	4
		轴承 37941/20	
6	154-43-44140	轴 shaft	1
7	04010-00519	半园键 key half-round	2
8	06122-02004	防尘密封圈 seal ring	6
9	01010-51230	螺栓 M12×30 blot	4
10	01643-31232	垫圈 12 washer	4
11	198-43-18170	叉口板 yoke	3
12	04205-10822	销轴 8×22 pin	4
13	04050-12016	开口销 2×16 pin cotter	4
14	01582-11008	螺母 M10×1.25 nut	3
15	154-43-44162	杆组件 rod ass'y	1
16	17Y-05-05000	支架 bracket	1
17	17Y-05-06000	杠杆 lever	1
18	17Y-05-04000	轴 shaft	1
19	01010-51016	螺栓 M10×16 bolt	1
20	01602-21030	垫圈 10 washer	1
21	17Y-05-00014	杆 rod	1
22	01580-10806	螺母 M8×1 nut	3
23	09290-10000	缓冲器 absorber	1
24	04245-40806	拉杆 rod	1
25	04211-20844	叉口板 yoke	1

液力变矩器、变速箱、转向系统和终传动
TORQUE CONVERTOR , TRANSMISSIN CASE ,
STEERING SYSTEM AND FINAL DRIVE

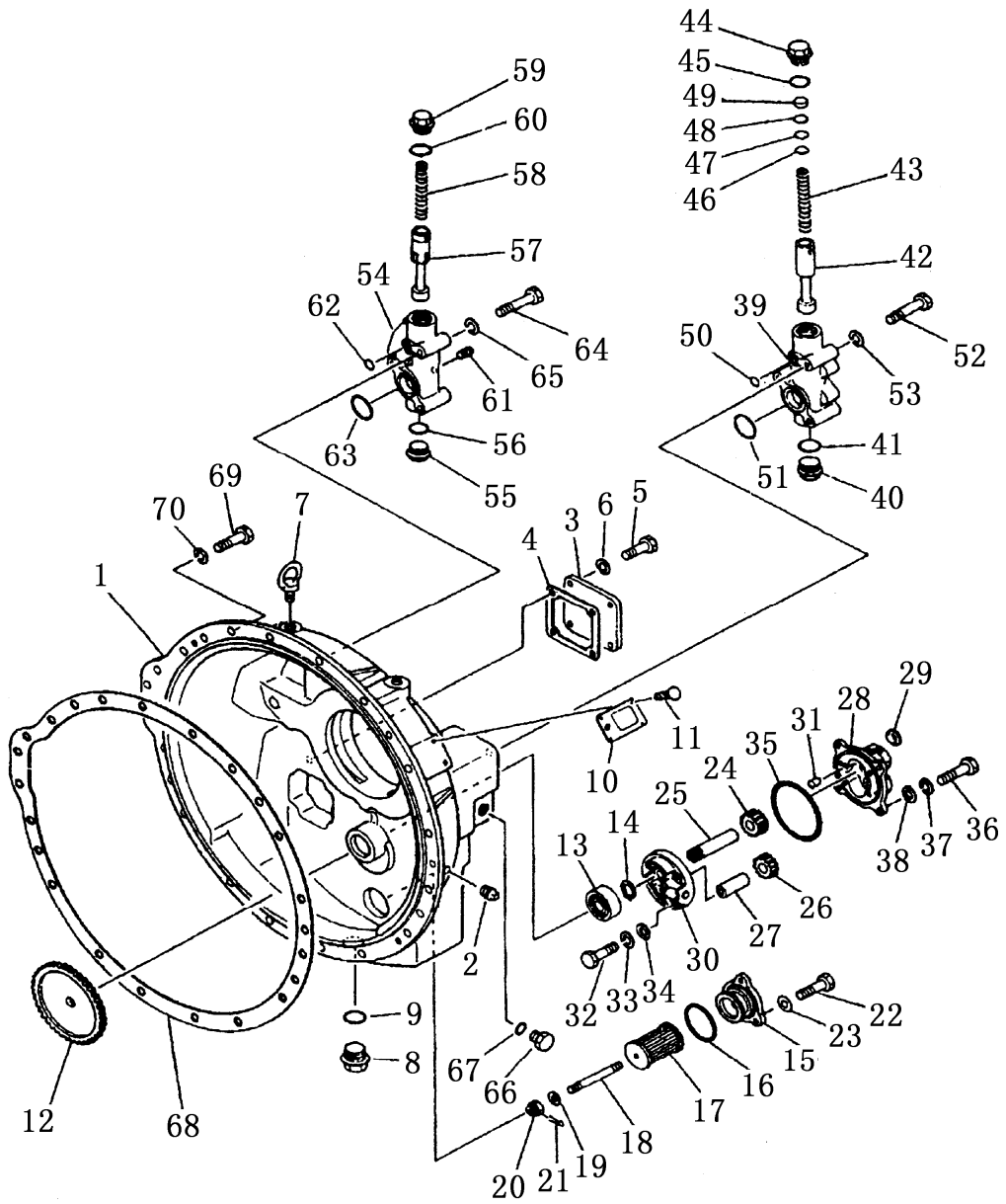
第 201 图 万 向 节
FIG. 201 UNIVERSAL JOINT



万 向 节
UNIVERSAL JOINT

序号 Index No.	件 号 Part No.	名 称 Description	数量 Q'ty
	154-20-10002	万向节总成 universal joint	1
201-1	150-11-11210	十字轴 spider	2
2	150-11-11220	防尘封 seal dust	8
3	150-11-11250	油封 seal oil	8
4	150-11-11240	滚针 needle	296
5	154-20-11130	轴承壳 case bearing	8
6	07020-00000	油杯 fitting grease	8
7	154-20-11170	连接板 plate	1
8	01010-51255	螺栓 bolt	8
9	01602-21236	垫圈 washer spring	8
10	01050-51260	螺栓 bolt	8
11	01602-21236	垫圈 washer spring	8

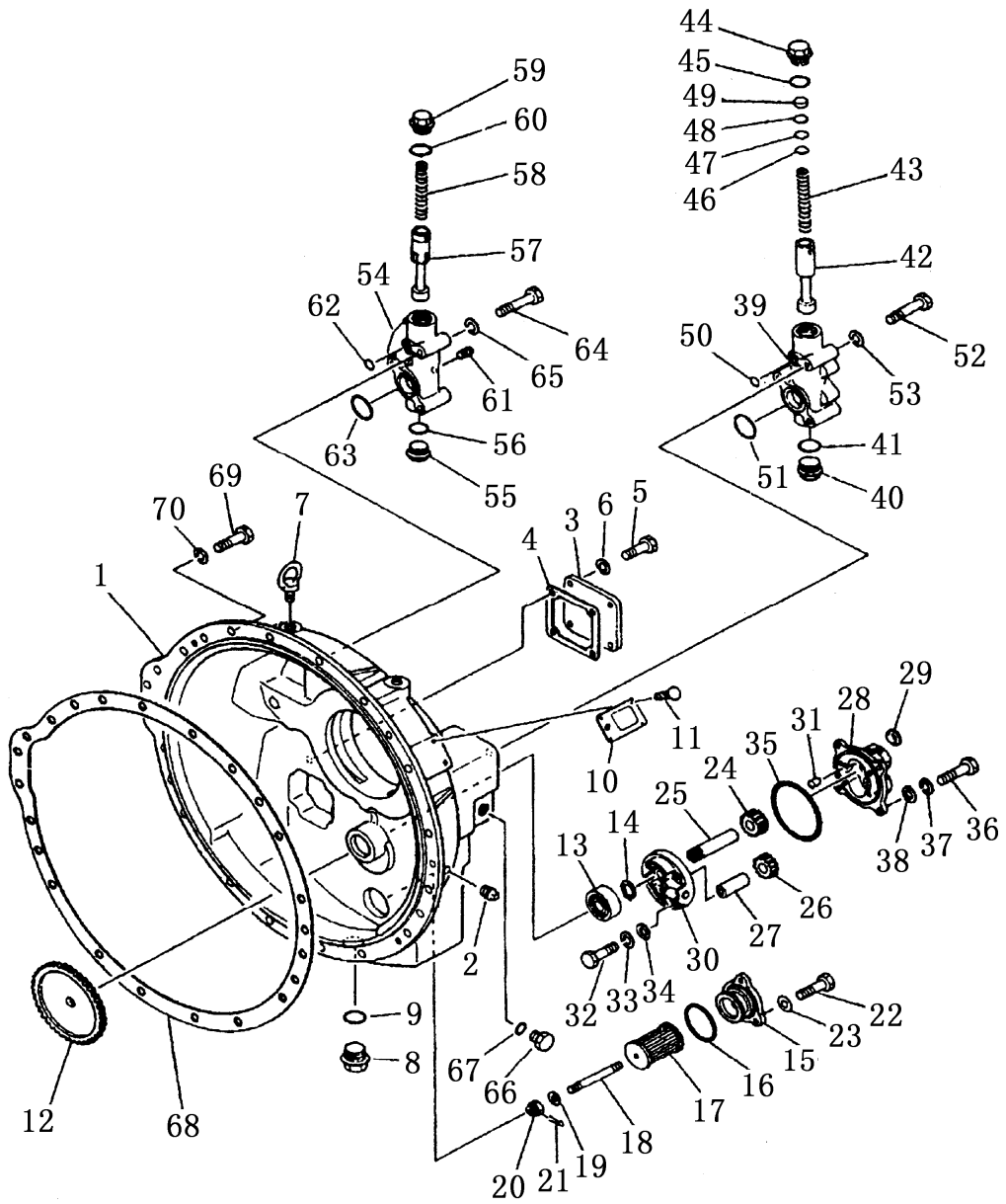
第 202 图 液力变矩器 (1/2)
FIG. 202 TORQUE CONVERTER



液力变矩器 (1/2)
TORQUE CONVERTER

序号 Index No.	件 号 Part No.	名 称 Description	数量 Q'ty
	154-13-51002	液力变矩器总成 TORQUE CONVERTER 构成该总成的配件是包括在第 202 图及 第 203 图所载的全部配件 THIS ASSEMBLY CONSISTS OF ALL PARTS SHOWN IN Fig. 202 and 203.	1
202-1	154-13-53110	壳 housing	1
2	07042-70415	圆锥形塞 plug taper	3
3	175-13-23220	盖 cover	1
4	175-13-23232	密封垫 gasket	1
5	01010-51225	螺栓 bolt	4
6	01602-21236	垫圈 spring	4
7	04530-01628	吊环螺栓 bolt eye	2
8	07044-13620	磁性螺塞 plug magnetic	1
9	07002-43634	O 形圈 O-ring	1
10	09607-05080	铭牌 plate name	1
11	04418-13060	自攻螺钉 screw tapping	4
12	195-13-14111	齿轮 gear	1
13	06030-05206	轴承 bearing	1
14	04064-03015	开口环 ring snap	1
	134-13-13400	过滤器总成 filter ass'y	1
15	134-13-13410	盖 cover	1
16	07000-72070	O 形圈 O-ring	1
17	195-13-13420	过滤器 filter	1
18	134-13-13430	双头螺栓 stud	1
19	01641-20608	垫圈 washer	1
20	01590-10607	螺帽 nut	1
21	04050-11212	开口销 pin cotter	1
22	01010-51230	螺栓 bolt	3
23	01643-31232	垫圈 washer	3
	175-13-23500	(回油) 泵总成 pump ass'y	1
	175-13-23510	(传动) 齿轮总成 gear ass'y	1
24	175-13-23580	齿轮 gear	1
25	175-13-23610	轴 shaft	1
	175-13-23520	(从动) 齿轮总成 gear ass'y	1
26	175-13-23580	齿轮 gear	1
27	175-13-23620	轴 shaft	1
28	175-13-23530	泵壳 case pump	1
29	01190-01011	螺纹衬套 screw thread lining	2

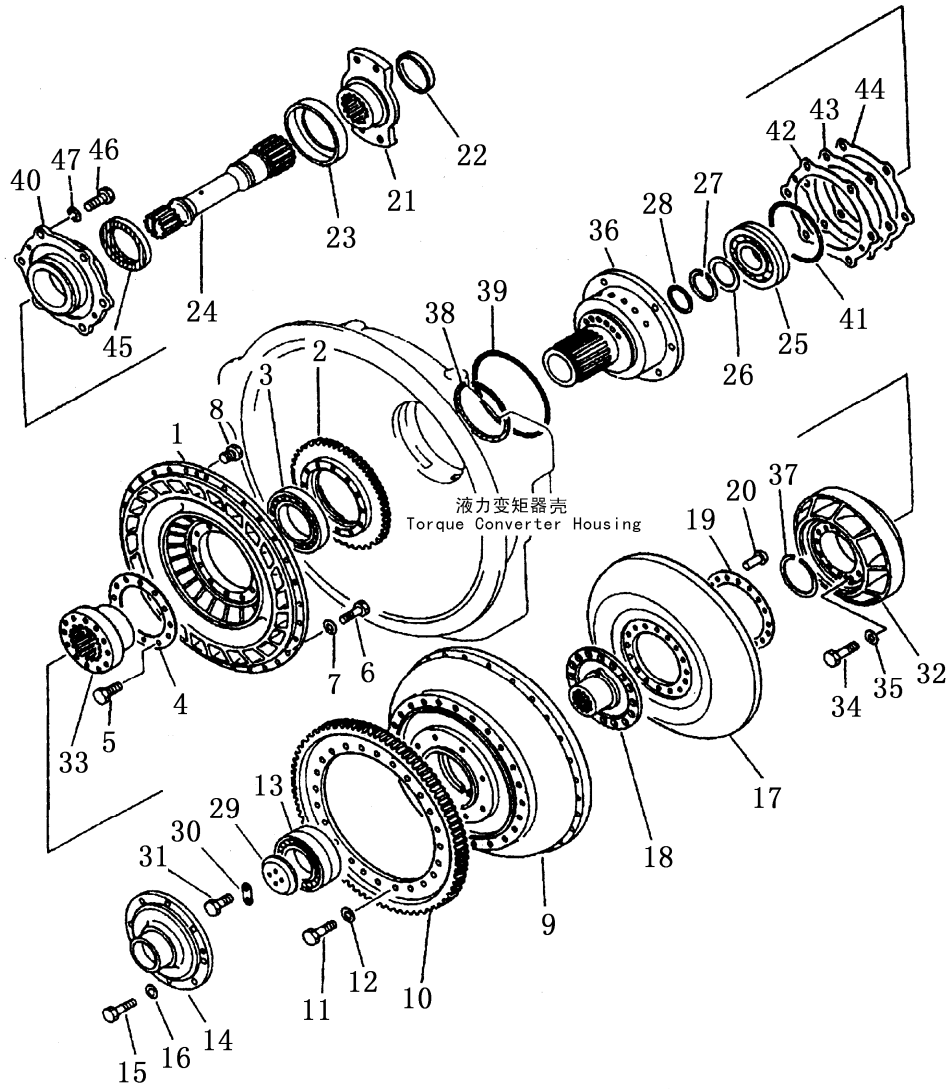
第 202 图 液力变矩器 (1/2)
 FIG. 202 TORQUE CONVERTER



液力变矩器 (1/2)
TORQUE CONVERTER

序号 Index No.	件号 Part No.	名称 Description	数量 Q'ty
202-30	175-13-23540	盖 cover	1
31	04020-00820	定位销 pin dowel	2
32	01010-50835	螺栓 bolt	4
33	01602-20825	弹簧垫圈 washer spring	4
34	01641-20812	垫圈 washer	4
35	07000-62115	O型圈 O-ring	1
36	01010-51235	螺栓 bolt	4
37	01602-21236	弹簧垫圈 washer spring	4
38	01641-21223	垫圈 washer	4
	195-13-16100	(调压) 阀总成 valve ass'y	1
39	195-13-16110	调压阀阀体 body relief valve	1
40	195-13-16450	螺塞 plug	1
41	07002-43634	O型圈 O-ring	1
42	195-13-16120	调压阀阀柱 spool relief valve	1
43	195-13-16131	调压阀弹簧 spring relief valve	1
44	195-13-16141	螺塞 plug	1
45	07002-43634	O型圈 O-ring	1
46	195-13-16190	填片 (1.0mm) shim 1.0mm	3
47	195-13-16210	填片 (0.3mm) shim 0.3mm	3
48	195-13-16220	填片 (0.1mm) shim 0.1mm	2
49	195-13-16230	衬垫 spacer	1
50	07000-72018	O型圈 O-ring	1
51	07000-73045	O型圈 O-ring	1
52	01010-51290	螺栓 bolt	3
53	01602-21236	弹簧垫圈 washer spring	3
	175-13-26401	(安全) 阀总成 valve ass'y	1
54	175-13-26410	安全阀阀体 body regulator valve	1
55	195-13-16450	螺塞 plug	1
56	07002-43634	O型圈 O-ring	1
57	195-13-16420	安全阀阀柱 spool regulator valve	1
58	195-13-16430	安全阀弹簧 spring regulator valve	1
59	195-13-16141	螺塞 plug	1
60	07002-43634	O型圈 O-ring	1
61	07042-20108	圆锥形塞 plug taper	1
62	07000-72018	O型圈 O-ring	1
63	07000-73045	O型圈 O-ring	1
64	01010-51290	螺栓 bolt	3
65	01602-21236	弹簧垫圈 washer spring	3
66	175-13-23290	螺塞 plug	1
67	07005-01612	密封垫 gasket	1
68	175-11-11131	密封垫 gasket	1
69	01010-31240	螺栓 bolt	23
70	01602-01236	弹簧垫圈 washer spring	23

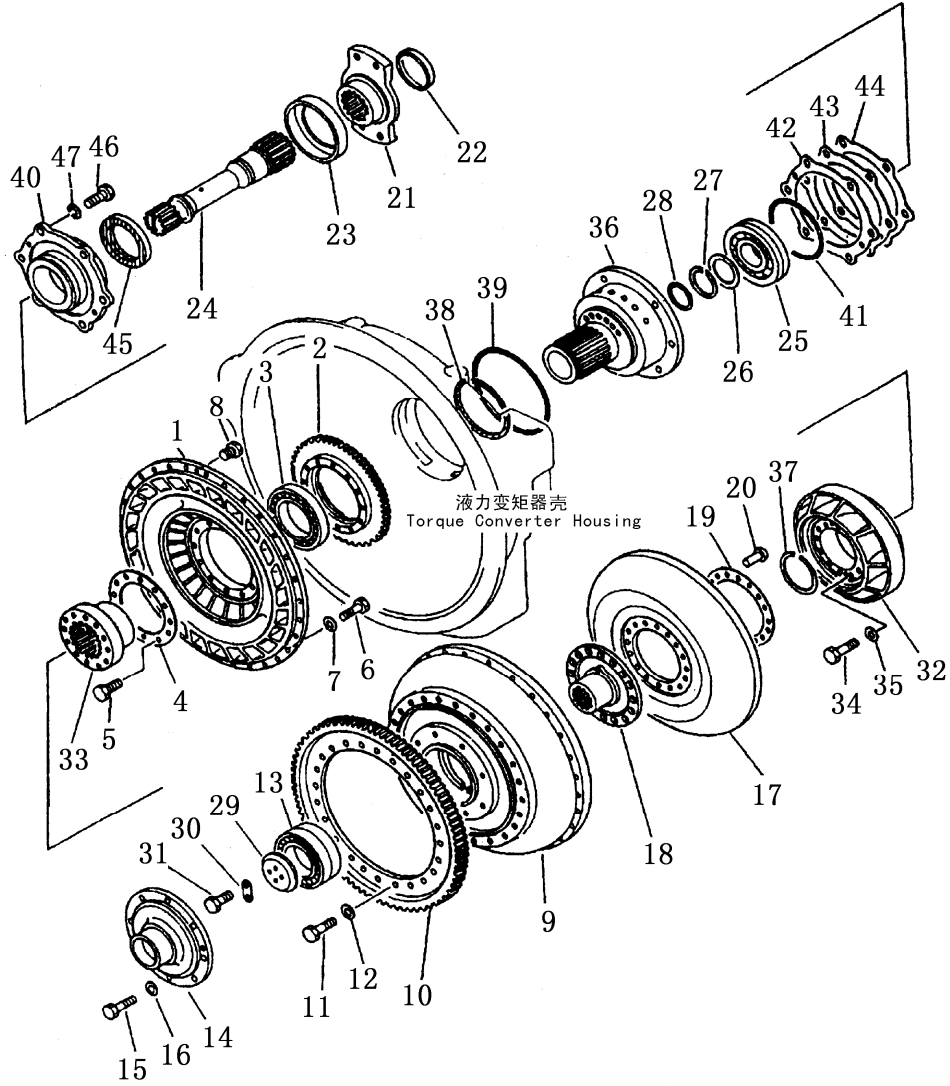
第 203 图 液力变矩器 (2/2)
 FIG. 203 TORQUE CONVERTER



液力变矩器 (2/2)
TORQUE CONVERTER

序号 Index No.	件号 Part No.	名称 Description	数量 Q'ty
	(154-13-51002)	液力变矩器总成 TORQUE CONVERTER 构成该总成的配件是包括在第 202 图及 203 图所载的全部配件 THIS ASSEMBLY CONSISTS OF ALL PARTS SHOWN IN FIGS. 202 AND 203.	1
203-1	154-13-41124	泵轮 pump	1
2	154-13-41143	齿轮 gear	1
3	154-13-41160	轴承 bearing	1
4	154-13-51180	垫板 plate	1
5	01010-61040	螺栓 bolt	12
6	01010-61035	螺栓 bolt	30
7	01643-31032	垫圈 washer	30
8	07040-11007	螺塞 plug	2
9	234-13-11211	壳 case	1
10	175-13-21220	齿轮 gear	1
11	01010-61230	螺栓 bolt	24
12	01643-31232	垫圈 washer	24
13	154-13-11240	轴承 bearing	1
14	154-13-51250	导向器 pilot	1
15	01010-61230	螺栓 bolt	8
16	01643-31232	垫圈 washer	8
	154-13-41510	涡轮总成 turbine ass'y	1
17	154-13-31520	涡轮 turbine	1
18	154-13-41530	涡轮轴 boss	1
19	154-13-11540	压板 plate	1
20	195-13-11550	铆钉 rivet	16
	154-13-51660	联轴节总成 coupling ass'y	1
21	154-13-51870	联轴节 coupling	1
22	175-13-21672	盖 cover	1
23	154-13-41430	盖 cover	1
24	154-13-51650	轴 shaft	1
25	154-13-13360	轴承 bearing	1
26	154-13-11730	衬垫 spacer	1
27	04064-06020	开口环 ring snap	1
28	175-13-21720	密封环 ring seal	1
29	175-13-21691	压板 holder	1
30	175-13-21711	锁板 plate lock	1
31	175-13-21810	铰制孔螺栓 bolt reamer	2

第 203 图 液力变矩器 (2/2)
 FIG. 203 TORQUE CONVERTER

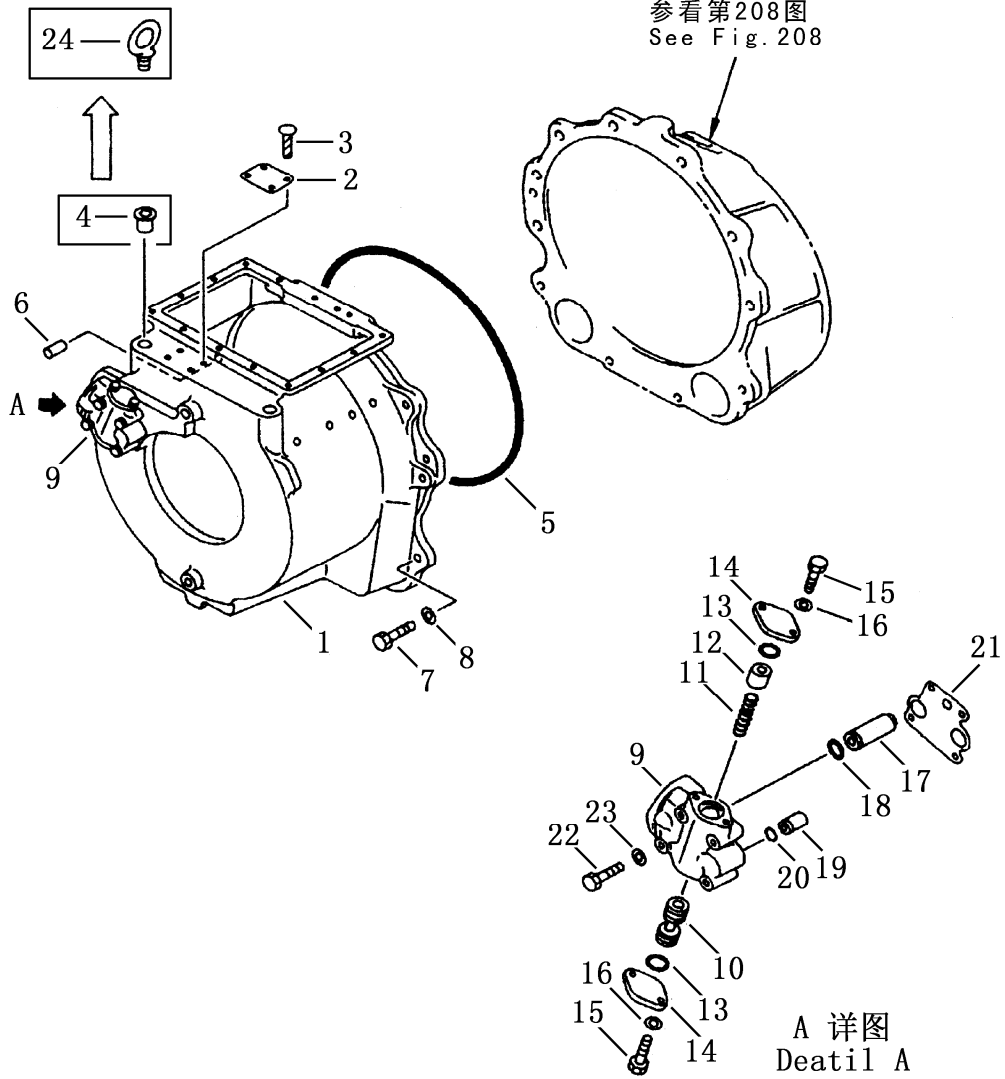


液力变矩器 (2/2)
TORQUE CONVERTER

序号 Index No.	件号 Part No.	名称 Description	数量 Q'ty
203-32	154-13-42110	导轮 stator	1
33	154-13-42120	座圈 race	1
34	01010-61030	螺栓 bolt	12
35	01643-31032	垫圈 washer	12
36	154-13-52520	轴 shaft	1
37	04064-08025	开口环 ring snap	1
38	154-13-42710	密封环 ring seal	1
39	07000-75185	O型圈 O-ring	1
40	154-13-42720	盖 cover	1
41	07000-62130	O型圈 O-ring	1
42	195-13-11610	填片(0.05mm) shim 0.05mm	1
43	195-13-11620	填片(0.2mm) shim 0.2mm	1
44	195-13-11630	填片(0.1mm) shim 0.1mm	1
45	175-13-22760	油封 seal oil	1
46	01010-51240	螺栓 bolt	6
47	01602-21236	弹簧垫圈 washer spring	6

第 204 图 变速箱壳
 FIG. 204 TRANSMISSION CASE

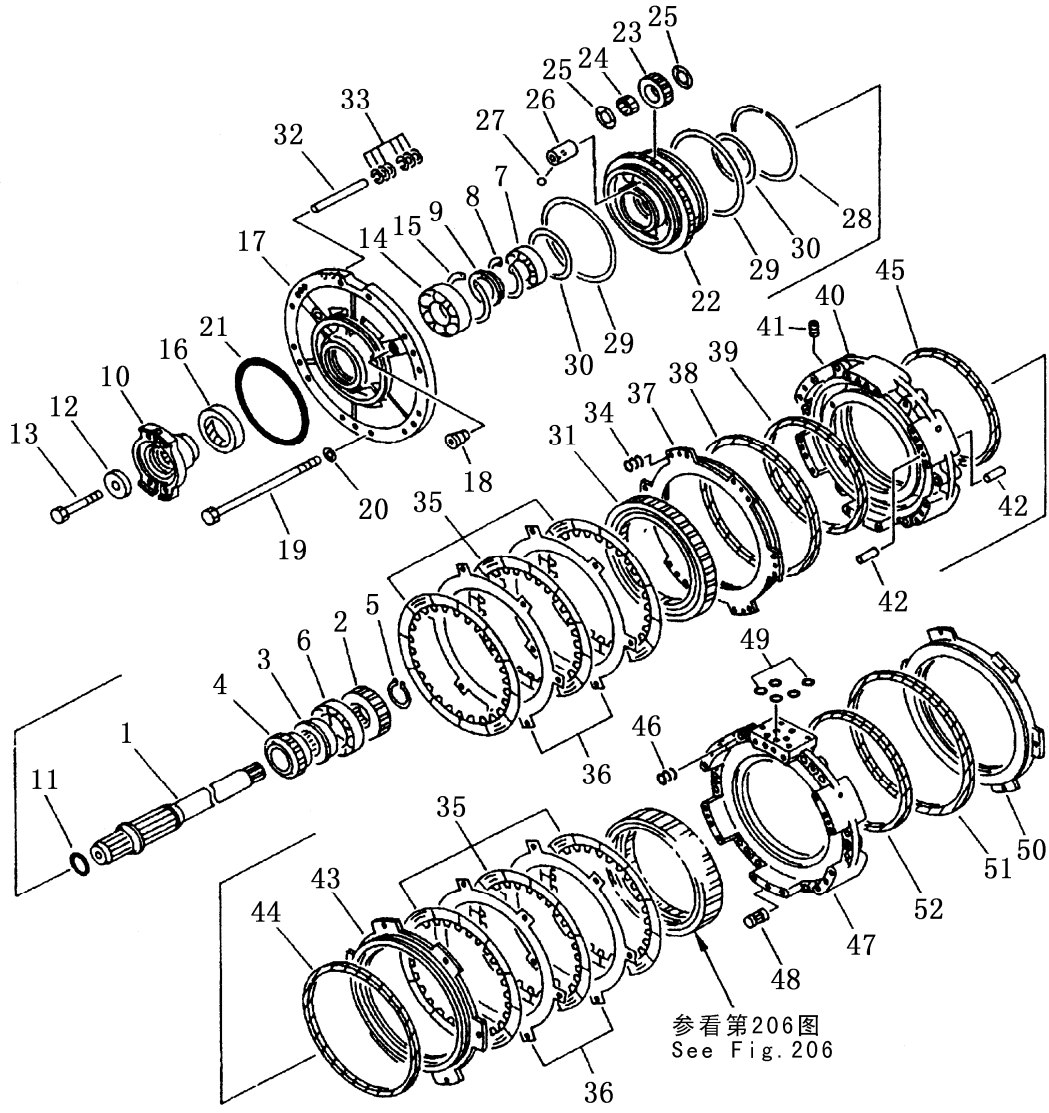
吊装用
 Used When Hanging



变速箱壳
TRANSMISSION CASE

序号 Index No.	件号 Part No.	名称 Description	数量 Q'ty
	154-15-41002	变速箱及阀总成 transmission ass'y 本总成包括图 204 至图 211 中的所有零件 中 this assembly consists of all parts shown in figs.204 to 211	1
204-1	154-15-41110	箱体 case	1
2	09608-05080	铭牌 plate	1
3	04418-03060	铆钉 SCREW	4
4	07048-02216	堵 PLUG	2
5	195-21-11350	O 型圈 O-RING	1
6	04020-01638	定位销 PIN DOWEL	1
7	01010-51645	螺栓 BOLT	4
8	01643-31645	垫圈 WASHER	4
	154-15-44001	润滑阀总成 LUBRICATION VALVE ASS'Y	1
9	154-15-24110	阀体 BODY	1
10	175-15-14130	阀 SPOOL	1
11	175-15-14120	弹簧 SPRING	1
12	175-15-14141	导向套 BUSHING, GUIDE	1
13	07000-73032	O 型圈 O-RING	2
14	175-15-14150	盖 COVER	2
15	01010-50825	螺栓 BOLT	4
16	01643-30823	垫圈 WASHER	4
17	154-15-44172	套筒 SLEEVE	1
18	07000-73022	O 型圈 O-RING	1
19	154-15-44182	阀套 SLEEVE	1
20	07000-72018	O 型圈 O-RING	1
21	154-15-44160	垫 GASKET	1
22	01010-51065	螺栓 BOLT	4
23	01643-31032	垫圈 WASHER	4
24	04530-12438	吊环螺栓 BOLT EYE	2

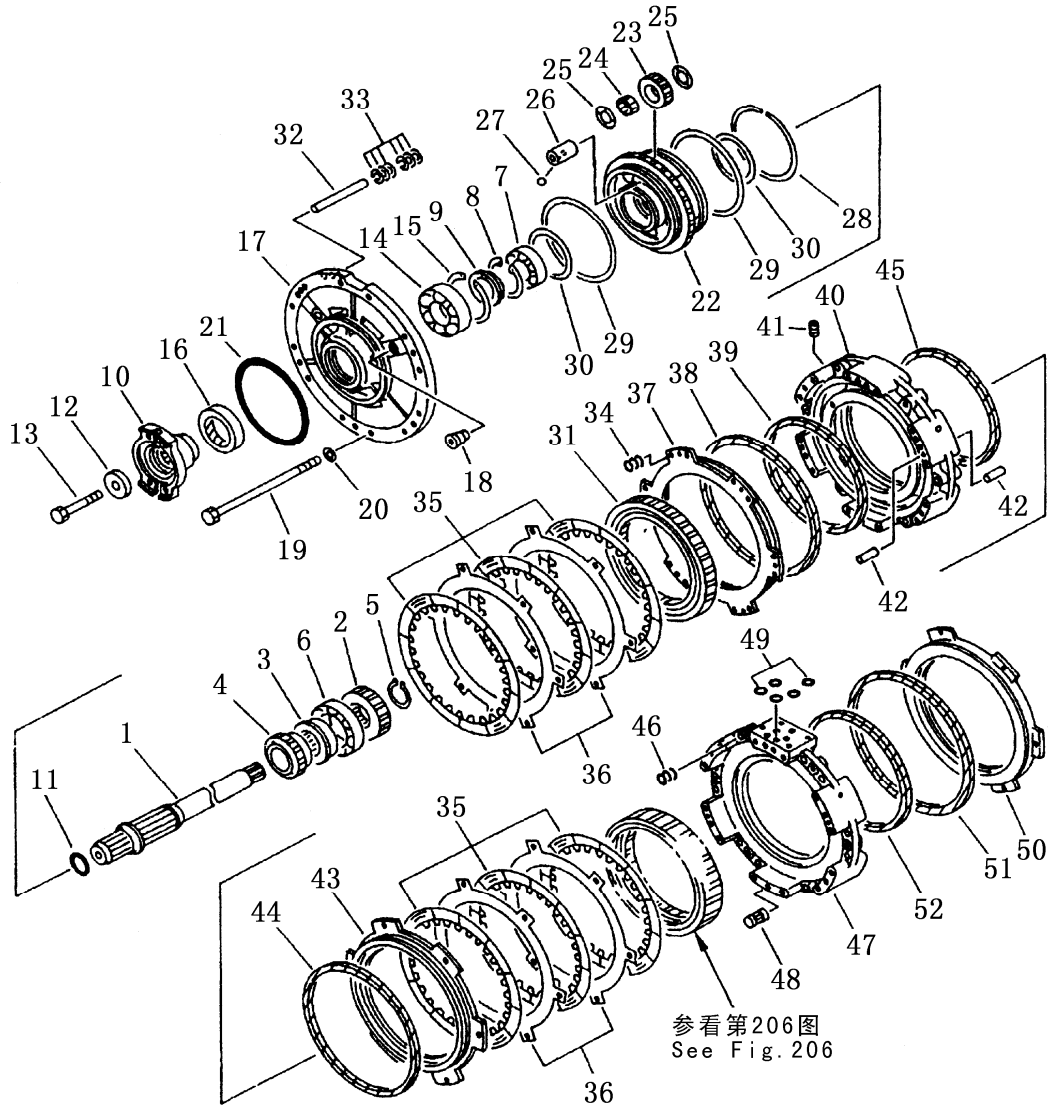
第 205 图 变速箱齿轮及轴 (1/3)
 FIG. 205 TRANSMISSION GEAR AND SHAFT



变速箱齿轮及轴 (1/3)
TRANSMISSION GEAR AND SHAFT

序号 Index No.	件号 Part No.	名称 Description	数量 Q'ty
	154-15-41002	变速箱及阀总成 transmission ass'y 本总成包括图 204 至图 211 中的所有零件 this assembly consists of all parts shown in figs.204 to 211.	1
205-1	154-15-42111	轴 shaft	1
2	154-15-42230	齿轮 gear	1
3	154-15-42160	环 collar	1
4	154-15-42241	齿轮 gear	1
5	04064-07025	卡环 ring, snap	1
6	06000-06922	轴承 bearing	1
7	06000-06014	轴承 bearing	1
8	04065-01104	开口环 ring snap	1
9	154-15-42171	环 collar	1
10	154-15-42190	联轴器 coupling	1
11	07000-05055	O 型圈 O-ring	1
12	154-15-42180	托板 holder	1
13	01051-51800	螺栓 bolt	1
14	06000-06216	轴承 bearing	1
15	04071-00140	开口环 ring snap	1
16	07012-10100	油封 seal	1
17	154-15-41171	油缸体 housing	1
18	07043-70312	螺塞 plug	1
19	144-15-21191	螺栓 bolt	16
20	145-14-11570	垫圈 washer	16
21	07000-05250	O 型圈 O-ring	1
22	154-15-42331	行星架 carrier	1
23	154-15-42440	齿轮 gear	4
24	561-15-49410	轴承 bearing	4
25	561-15-32590	止推垫圈 washer	8
26	154-15-42530	轴 shaft	4
27	04260-00635	铜珠 ball	4
28	154-15-49510	半环 ring snap	1
29	154-15-49260	密封环 ring seal	2

第 205 图 变速箱齿轮及轴 (1/3)
 FIG. 205 TRANSMISSION GEAR AND SHAFT

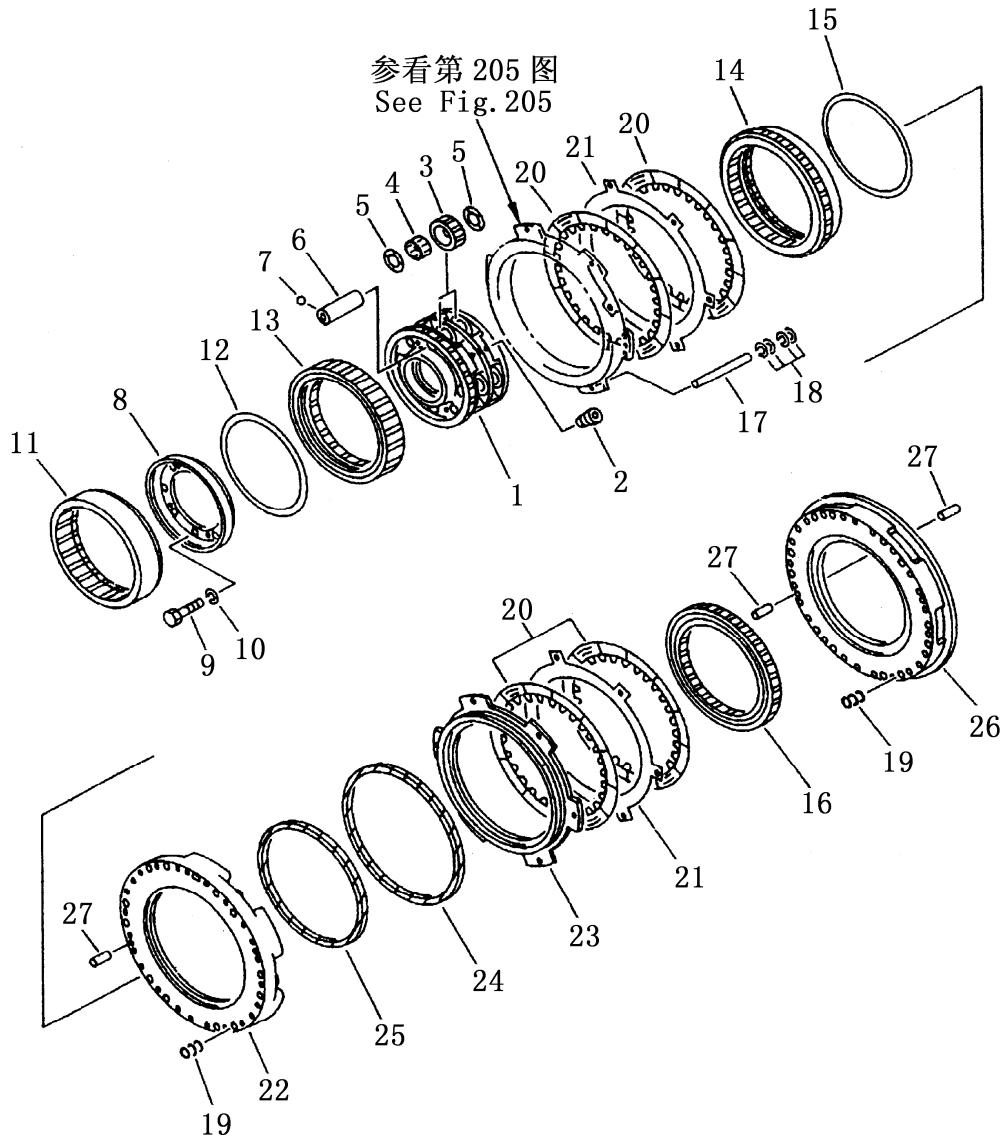


变速箱齿轮及轴 (1/3)
TRANSMISSION GEAR AND SHAFT

序号 Index No.	件号 Part No.	名称 Description	数量 Q'ty
205-30	175-15-69230	密封环 ring seal	2
31	154-15-42641	齿圈 gear ring	1
32	175-15-12780	销 pin	6
33	175-15-42880	弹簧 spring	36
34	234-15-15230	弹簧 spring	12
35	198-15-22810	摩擦片 disc	6
36	426-15-12720	垫板 plate	4
37	426-15-12750	活塞 piston	1
38	426-15-19220	密封环 ring seal	1
39	426-15-19210	密封环 ring seal	1
40	154-15-41160	油缸体 housing	1
41	145-14-11320	螺塞 plug	2
42	04020-01434	定位销 pin dowel	4
43	175-15-62750	活塞 piston	1
44	175-15-59250	密封环 ring seal	1
45	426-15-19210	密封环 ring seal	1
46	234-15-15230	弹簧 spring	12
47	154-15-41150	油缸体 housing	1
48	569-15-41310	套 sleeve	16
49	07000-73022	O型圈 O-ring	5
50	175-15-62760	活塞 piston	1
51	155-15-12811	密封环 ring seal	1
52	582-15-19240	密封环 ring seal	1

第 206 图
FIG. 206

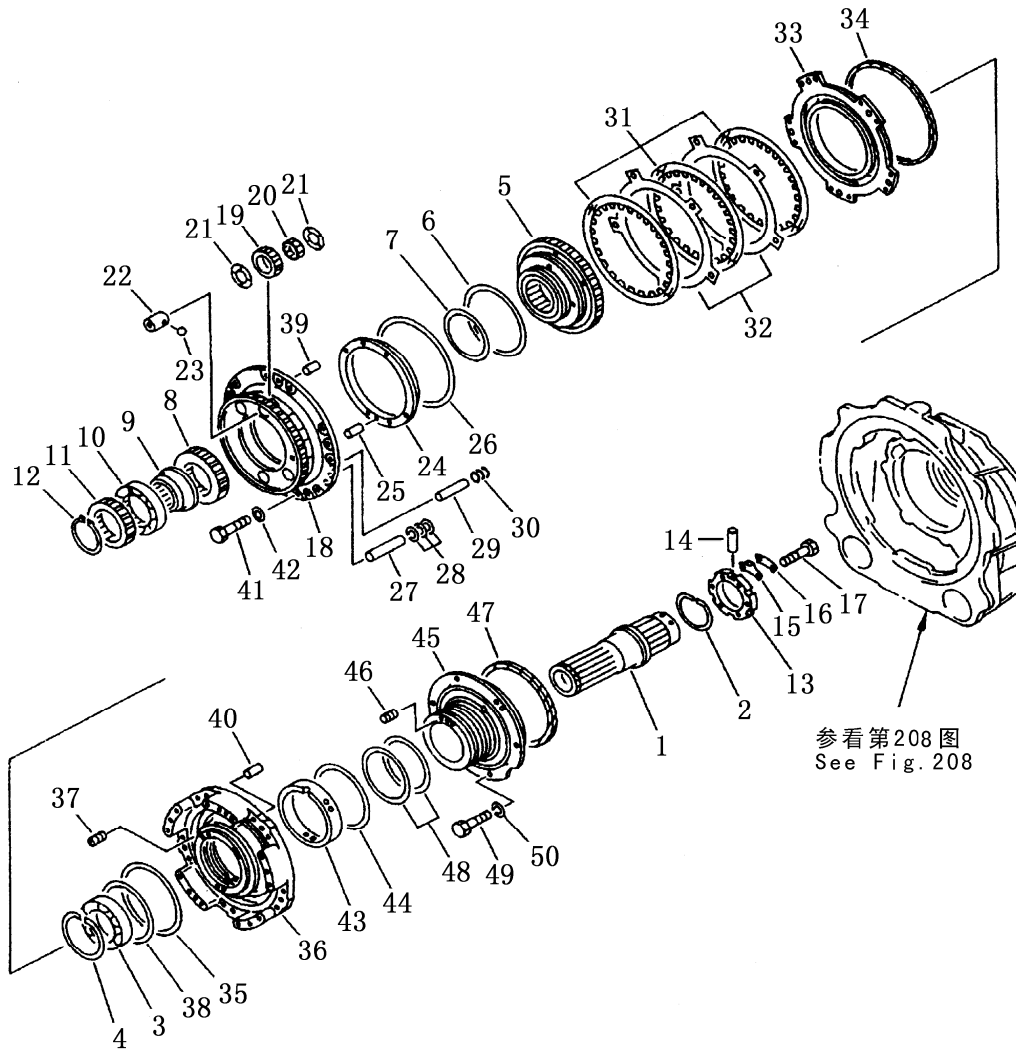
变速箱齿轮及轴 (2/3)
TRANSMISSION GEAR AND SHAFT



变速箱齿轮及轴 (2/3)
TRANSMISSION GEAR AND SHAFT

序号 Index No.	件号 Part No.	名称 Description	数量 Q'ty
	154-15-41002	变速箱及阀总成 TRANSMISSION ASS'Y 本总成包括图 204 至图 211 中的所有零件中 THIS ASSEMBLY CONSISTS OF ALL PARTS SHOWN IN FIGS. 204 TO 211.	1
206-1	154-15-42321	行星架 carrier	1
2	07043-70108	螺塞 plug	3
3	154-15-42420	齿轮 gear	8
4	561-15-49410	轴承 bearing	8
5	561-15-32590	止推垫圈 washer	16
6	154-15-42521	轴 shaft	4
7	04260-00635	钢珠 ball	4
8	154-15-42940	盖 cover	1
9	01010-51030	螺栓 bolt	4
10	01643-31032	垫圈 washer	4
11	154-15-42651	齿圈 gear ring	1
12	568-15-12950	卡环 ring snap	1
13	154-15-42630	齿圈 gear ring	1
14	154-15-42620	齿圈 gear ring	1
15	175-15-69510	卡环 ring snap	1
16	154-15-42610	齿圈 gear ring	1
17	175-15-12780	销 pin	6
18	175-15-42880	弹簧 spring	24
19	23A-15-12960	弹簧 spring	24
20	198-15-22810	磨擦片 disc	4
21	426-15-12720	垫板 plate	2
22	154-15-41140	油缸体 housing	1
23	154-15-42750	活塞 piston	1
24	175-15-59250	密封环 ring seal	1
25	582-15-19240	密封环 ring seal	1
26	154-15-41130	油缸体 housing	1
27	04020-01434	定位销 pin dowel	6

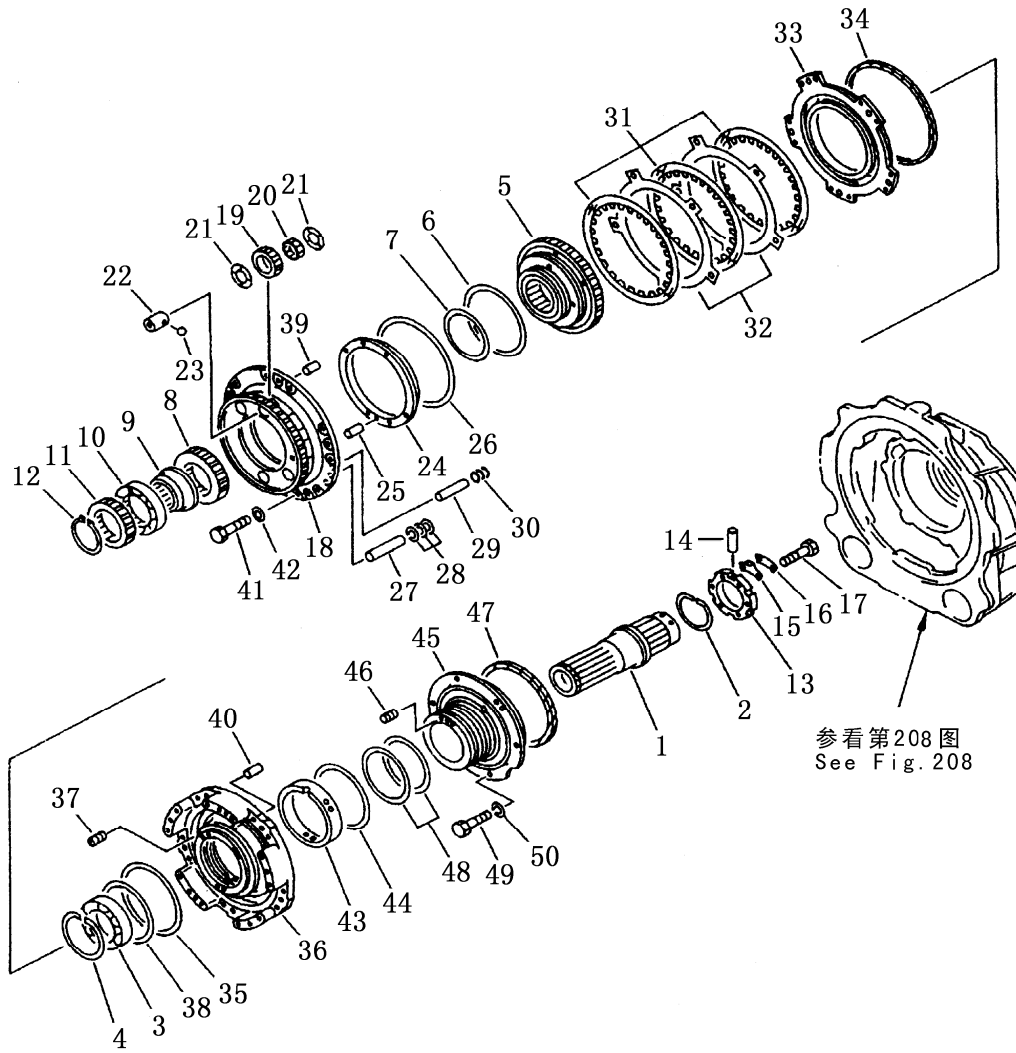
第 207 图 变速箱齿轮及轴 (3/3)
 FIG. 207 TRANSMISSION GEAR AND SHAFT



变速箱齿轮及轴 (3/3)
TRANSMISSION GEAR AND SHAFT

序号 Index No.	件号 Part No.	名称 Description	数量 Q'ty
	154-15-41002	变速箱及阀总成 TRANSMISSION ASS'Y 本总成包括图 204 至图 211 中的所有零件中 THIS ASSEMBLY CONSISTS OF ALL PARTS SHOWN IN FIG. 204 TO 211	1
207-1	154-15-42131	轴 shaft	1
2	07018-11205	密封环 ring seal	1
3	06000-06019	轴承 bearing	1
4	04071-00145	卡环 ring snap	1
5	154-15-42270	轮毂 hub	1
6	07018-12205	密封环 ring seal	1
7	144-15-11290	密封环 ring seal	1
8	154-15-42210	齿轮 gear	1
9	154-15-42150	环 collar	1
10	06000-06922	轴承 bearing	1
11	154-15-42220	齿轮 gear	1
12	04064-09530	卡环 ring snap	1
13	234-21-12180	螺母 nut	1
14	175-15-42220	销 pin	1
15	234-21-12190	板 plate	1
16	234-21-12210	锁片 plate	1
17	01010-50814	螺栓 bolt	2
18	154-15-42310	行星架 carrier	1
19	154-15-42410	齿轮 gear	4
20	154-15-49410	轴承 bearing	4
21	569-15-32560	止推垫 washer thrust	8
22	154-15-42510	轴 shaft	4
23	04260-00635	钢珠 ball	4
24	154-15-42930	盖 cover	1
25	04020-00616	定位销 pin dowel	1
26	568-15-12950	卡环 ring snap	1
27	154-15-41270	销 pin	5
28	175-15-42880	垫圈型弹簧 spring	15
29	154-15-41290	销 pin	10

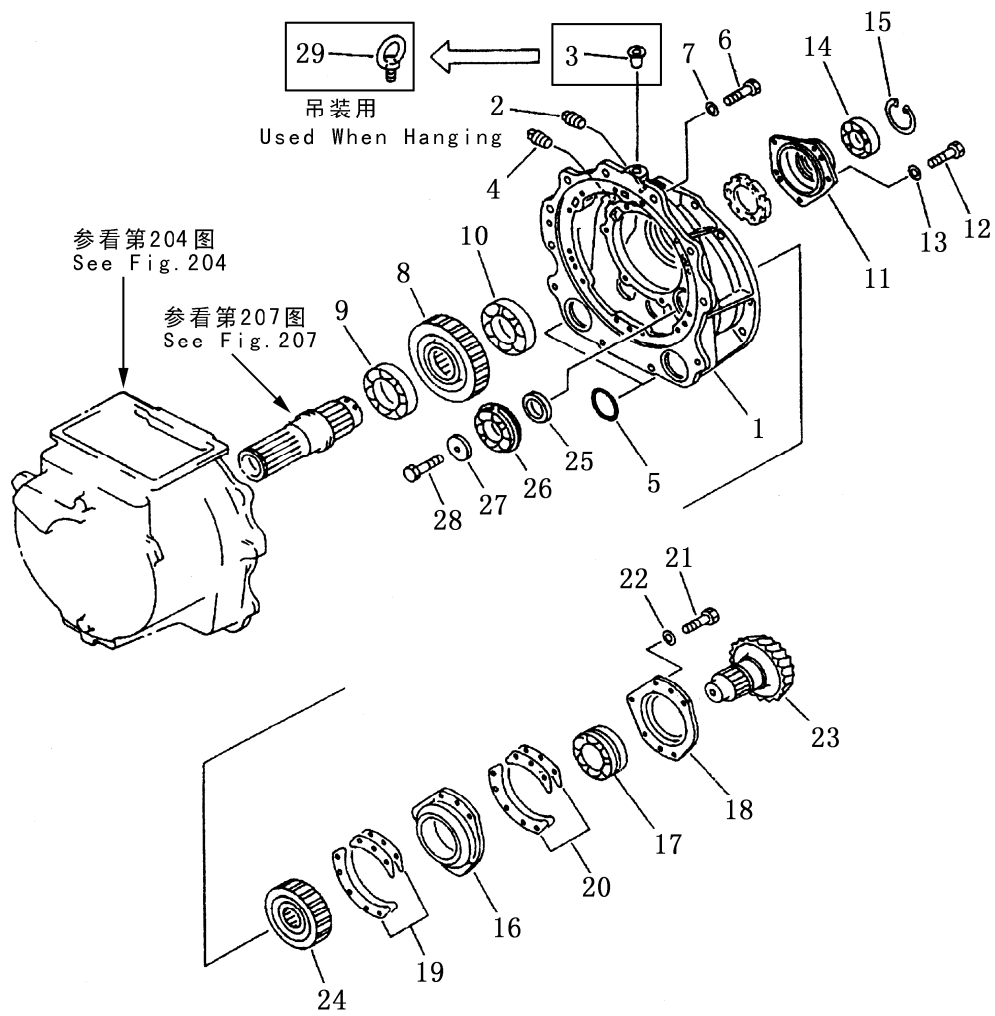
第 207 图 变速箱齿轮及轴 (3/3)
 FIG. 207 TRANSMISSION GEAR AND SHAFT



变速箱齿轮及轴 (3/3)
TRANSMISSION GEAR AND SHAFT

序号 Index No.	件号 Part No.	名称 Description	数量 Q'ty
207-30	421-15-12910	弹簧 spring	10
31	424-15-12710	磨擦片 disc	3
32	424-15-12720	垫板 plate	2
33	175-15-62730	活塞 piston	1
34	195-15-49210	密封环 ring seal	1
35	113-15-29250	密封环 ring seal	1
36	154-15-42840	油缸体 housing	1
37	566-15-41320	螺塞 plug	2
38	195-15-49240	密封环 ring seal	1
39	04020-01228	定位销 pin dowel	2
40	04020-00616	定位销 pin dowel	1
41	01010-51235	螺栓 bolt	15
42	01643-31232	垫圈 washer	15
43	175-15-62830	环 collar	1
44	125-15-29510	卡环 ring	1
45	154-15-43130	座 cage	1
46	175-15-11230	螺塞 plug	3
47	154-15-49210	密封环 ring seal	1
48	19M-15-19260	密封环 ring seal	2
49	01010-61435	螺栓 bolt	6
50	01643-31445	垫圈 washer	6

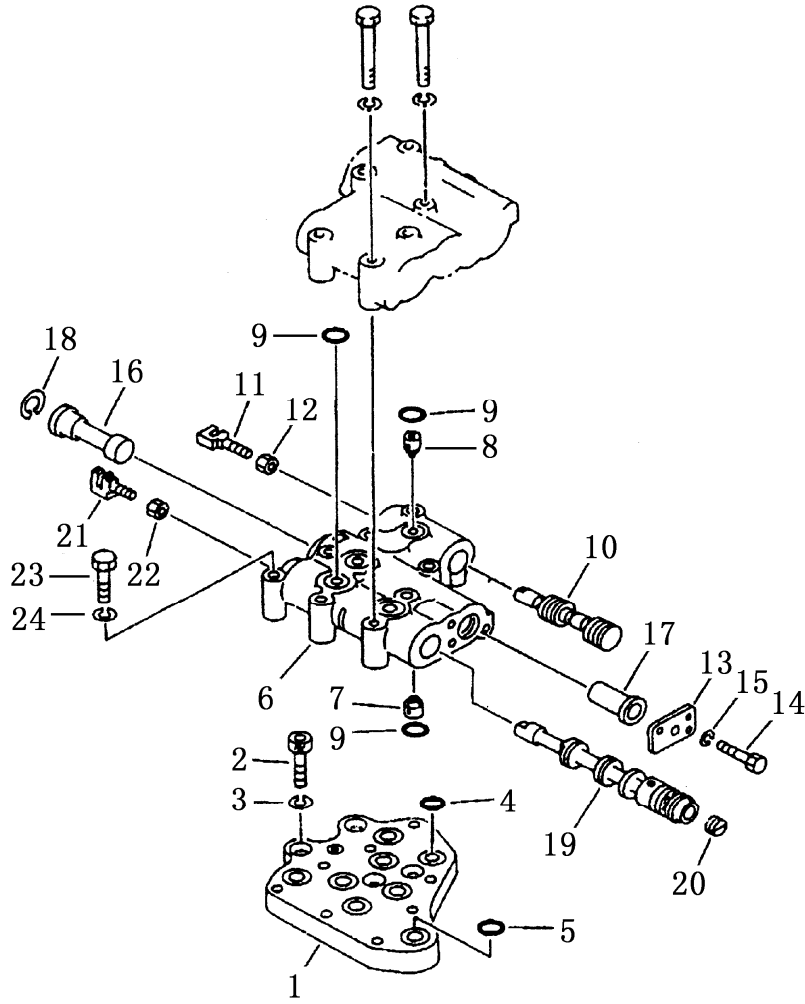
第 208 图 变速输出装置
 FIG. 208 TRANSMISSION TRANSFER



变速输出装置
TRANSMISSION TRANSFER

序号 Index No.	件号 Part No.	名称 Description	数量 Q'ty	
			SD23 SD23E SD23D	SD23S SD23R
	154-15-41002	变速箱及阀总成 TRANSMISSION ASS'Y 本总成包括图 204 至图 211 中的所有零件中 THIS ASSEMBLY CONSISTS OF ALL PARTS SHOWN IN FIGS. 204 TO 211	1	1
208-1	154-15-43110	箱体 case	1	1
2	07042-70108	螺塞 plug	1	1
3	07048-02216	堵 plug	1	1
4	07042-70617	螺塞 plug	2	2
5	07000-02105	O 型圈 O-ring	2	2
6	01010-51645	螺栓 bolt	7	7
7	01643-31645	垫圈 washer	7	7
8	154-15-43230	齿轮 gear	1	
	154-15-43280	齿轮 gear		1
9	175-15-49340	轴承 bearing	1	1
10	175-15-43270	轴承 bearing	1	1
11	154-15-23151	轴承套 cage bearing	1	1
12	01010-51230	螺栓 bolt	5	5
13	01643-31232	垫圈 washer	5	5
14	06000-22210	轴承 bearing	1	1
15	04065-09030	卡环 ring snap	1	1
16	154-15-33350	轴承套 cage bearing	1	1
17	154-15-29120	轴承 bearing	1	1
18	154-15-23360	盖 cover	1	1
19	154-15-05260	垫片总成 shim ass'y	1	1
21	01010-51250	螺栓 bolt	5	5
22	01643-31232	垫圈 washer	5	5
23	154-15-43251	小伞齿轮轴 shaft	1	1
24	154-15-43240	齿轮 gear	1	
	154-15-43290	齿轮 gear		1
25	154-15-43340	垫圈 washer	1	1
26	154-15-39111	轴承 bearing	1	1
27	154-15-33391	拉板 holder	1	1
28	01010-51680	螺栓 bolt	1	1
29	04530-12438	吊环螺栓 bolt eye	1	1

第 209 图 变速阀 (1/2)
FIG. 209 TRANSMISSION VALVE

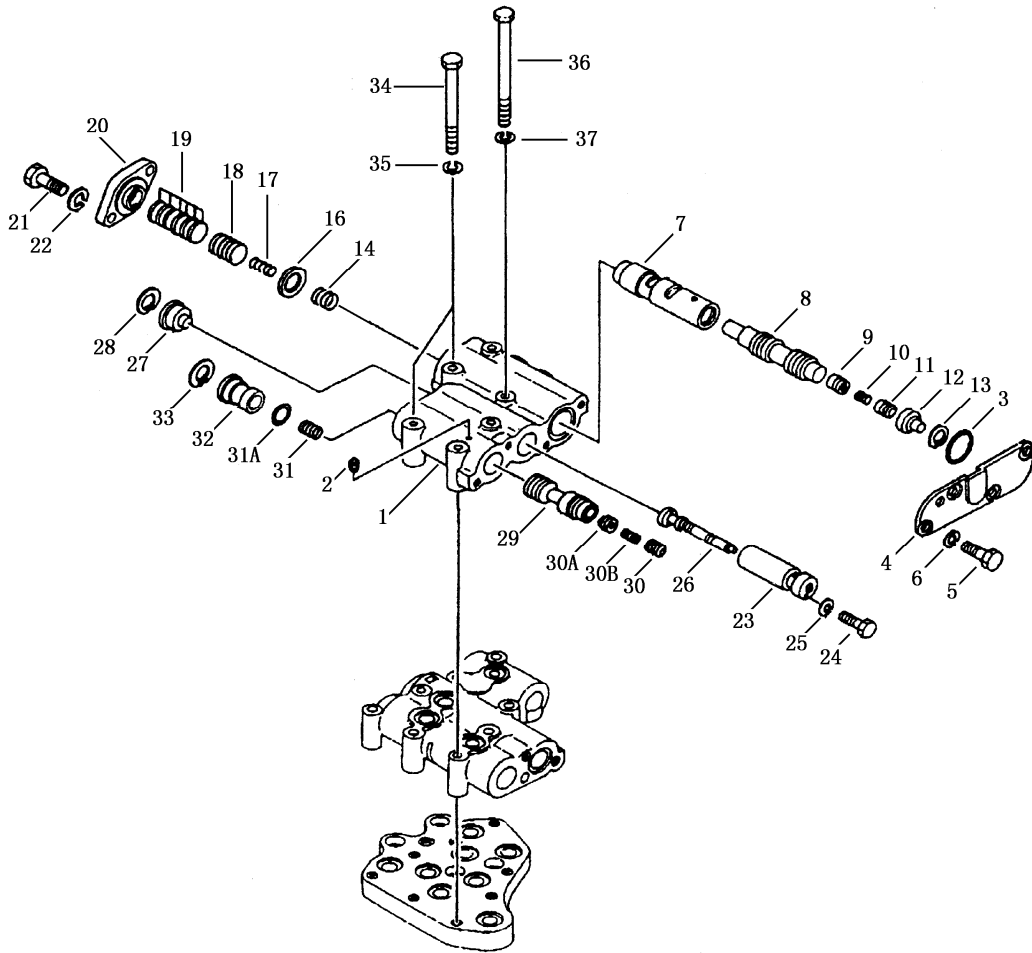


变速阀 (1/2)

TRANSMISSION VALVE

序号 Index No.	件 号 Part No.	名 称 Description	数量 Q'ty
	154-15-45001	变速阀总成 TRANSMISSION VALVE ASS'Y 本总成包括图 209 至图 210 所示所有零件中 THIS ASSEMBLY CONSISTS OF ALL PARTS SHOWN IN FIG. 209 TO 210	1
209-1	154-15-45130	阀座 seat valve	1
2	01252-41035	螺栓 bolt	4
3	01602-21030	垫圈 washer	4
4	07000-73022	O 型圈 O-ring	5
5	07000-73025	O 型圈 O-ring	3
6	154-15-45210	阀体 body	1
7	175-15-45260	定位装置 detent	1
8	195-15-15671	定位装置 detent	1
9	07000-73022	O 型圈 O-ring	5
10	175-15-45220	阀柱 spool	1
11	09363-01053	叉子 yoke	1
12	01580-11008	螺帽 nut	1
13	175-15-45810	板 plate	1
14	01010-81025	螺栓 bolt	2
15	01602-21030	垫圈 washer	2
16	144-15-25420	阀芯 spacer	1
17	145-15-45550	挡板 retainer	1
18	04065-03515	开口环 ring	1
	15A-15-00512	阀柱总成 spool ass'y	1
19	154-15-45240	阀柱 spool	1
20	144-15-25210	螺栓 bolt	1
21	09363-01053	叉子 yoke	1
22	01580-11008	螺帽 nut	1
23	01010-51075	螺栓 bolt	2
24	01602-21030	垫圈 washer	2

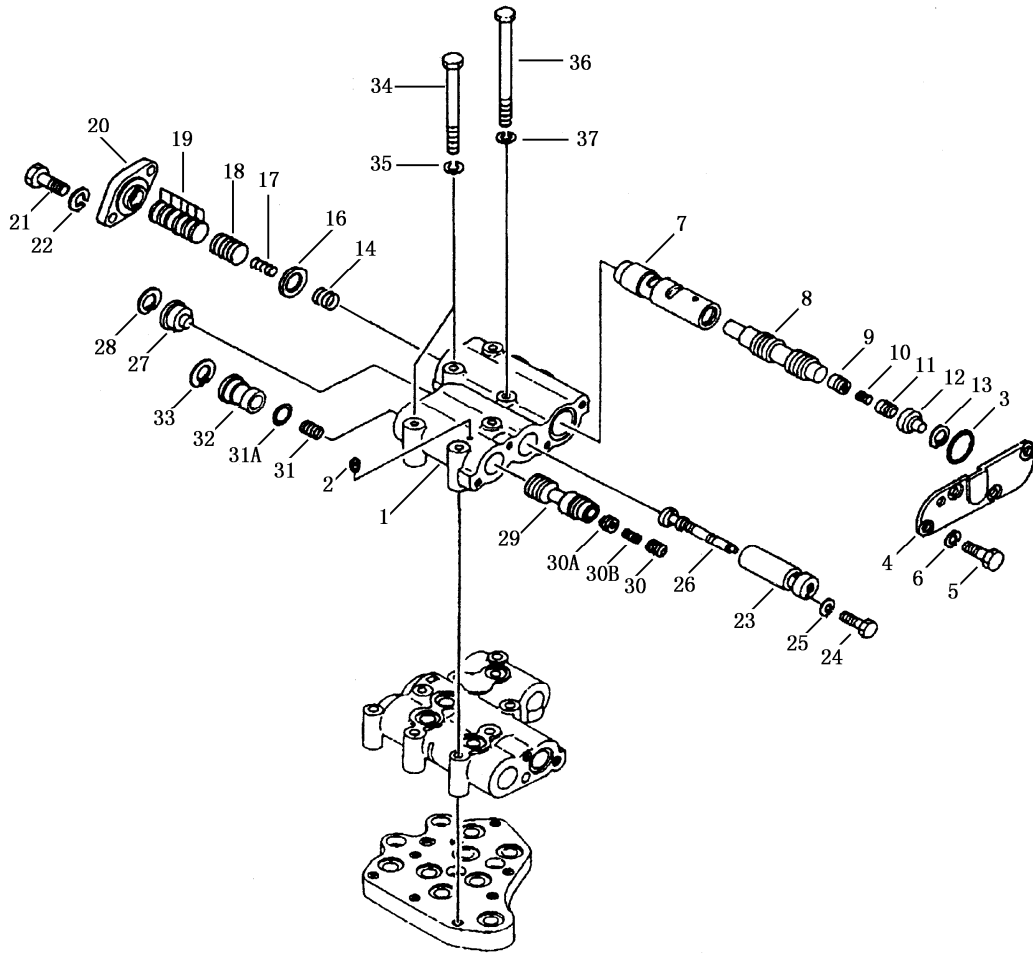
第 210 图 变速阀 (2/2)
FIG. 210 TRANSMISSION VALVE



变速阀 (2/2)
TRANSMISSION VALVE

序号 Index No.	件 号 Part No.	名 称 Description	数量 Q'ty
	154-15-45001	变速阀总成 TRANSMISSION VALVE ASS'Y 本总成包括图 209 至图 210 所示所有零件中 THIS ASSEMBLY CONSISTS OF ALL PARTS SHOWN IN FIG. 209 TO 210	
210-1	155-15-15410	阀体 body valve	1
2	07042-00108	螺塞 plug	1
3	07000-73040	O 型圈 O-ring	1
4	155-15-15850	盖 cover	1
5	01010-81025	螺栓 bolt	4
6	01602-21030	垫圈 washer spring	4
7	145-14-43382	阀套 valve	1
8	145-14-43333	阀芯 valve	1
9	195-15-15130	阀芯 valve	1
10	180-14-25560	弹簧 spring	1
11	175-15-15550	阀 valve	1
12	145-14-23180	锁挡 stopper	1
13	130-09-15170	卡环 ring snap	1
14	154-15-46130	弹簧 spring	1
16	145-14-33450	垫圈 washer	1
17	154-15-46140	弹簧 spring	1
18	145-14-33351	弹簧 spring	1
19	281-15-15480	垫片 0.5mm shim 0.5mm	6
20	144-15-25330	盖 cover	1
21	01010-81025	螺栓 bolt	2
22	01602-21030	垫圈 washer	2
23	155-15-15351	轴套 sleeve	1
24	155-15-15370	螺栓 bolt	1
25	01602-20619	垫圈 washer	1
26	437-15-15320	阀 valve	1
27	155-15-15360	锁挡 stopper	1
28	04065-03515	开口环 ring	1
29	175-15-45381	阀 valve	1
30	568-15-15570	阀 valve	1
30A	198-15-15760	阀 valve	1
30B	180-14-25560	弹簧 spring	1

第 210 图 变速阀 (2/2)
FIG. 210 TRANSMISSION VALVE



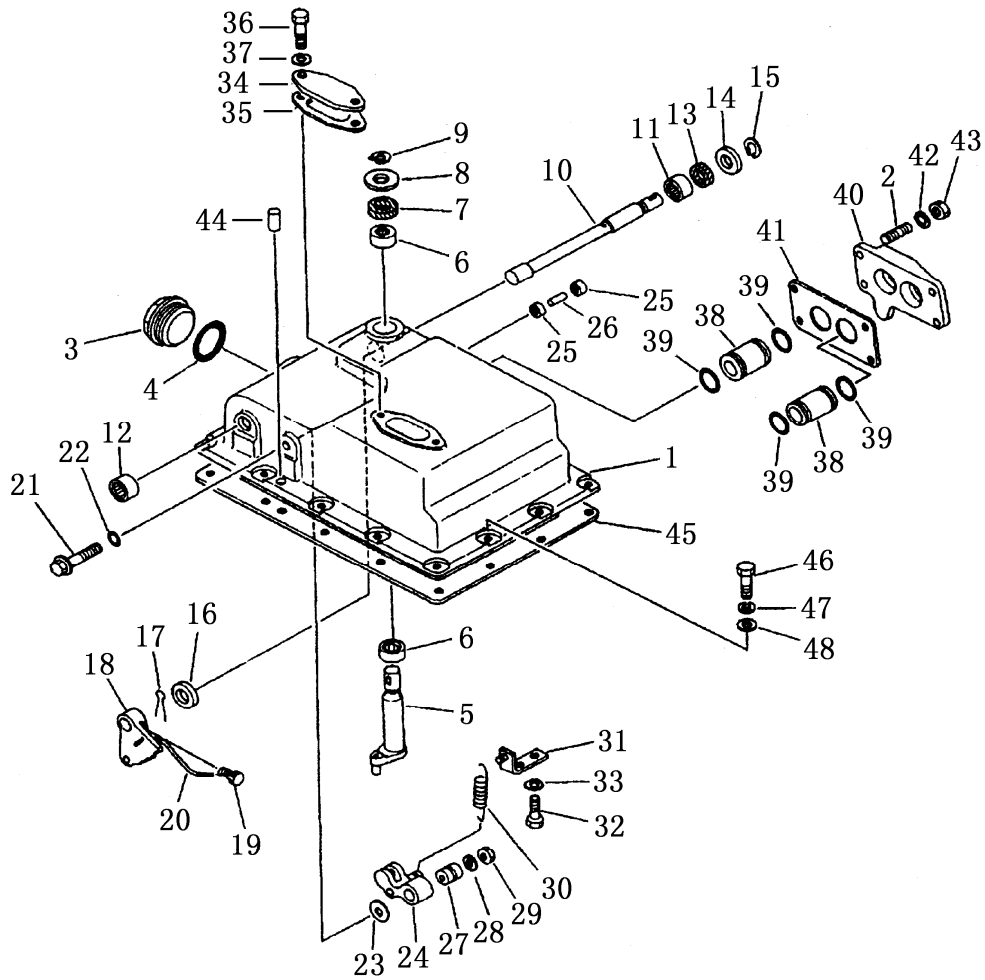
变速阀 (2/2)
TRANSMISSION VALVE

序号 Index No.	件 号 Part No.	名 称 Description	数量 Q'ty
210-31	154-15-45510	弹簧 spring	1
31A	113-15-25260	垫片 0.5mm shim 0.5mm	2
32	154-15-45390	导座 retainer	1
33	04065-03515	开口环 ring	1
34	01010-51080	螺栓 bolt	2
35	01602-21030	垫圈 washer	2
36	01011-51035	螺栓 bolt	4
37	01602-21030	垫圈 washer	4

第 211 图

变速阀盖及操纵杆

FIG. 211 TRANSMISSION VALVE COVER AND LEVER



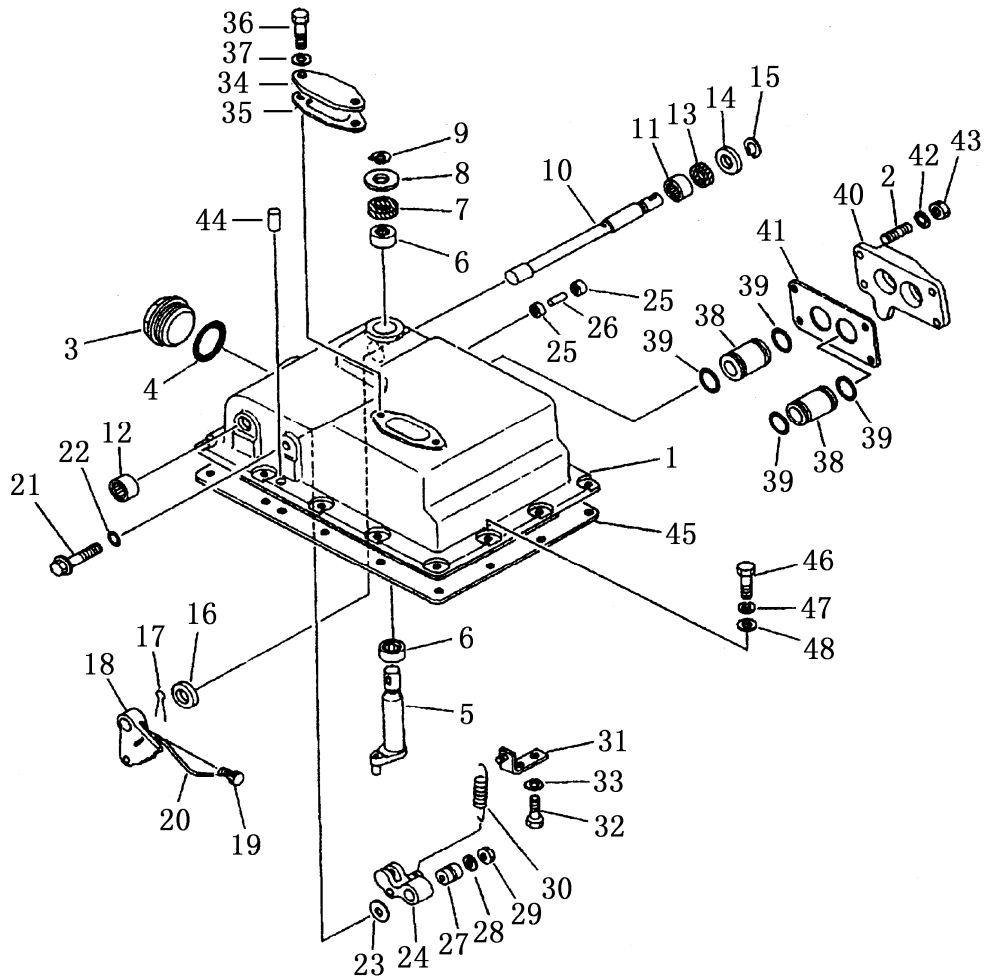
变速阀盖及操纵杆
TRANSMISSION VALVE COVER AND LEVER

序号 Index No.	件号 Part No.	名称 Description	数量 Q'ty
	155-15-01130	盖总成 cover ass'y	1
211-1	175-15-45511	盖 cover	1
2	01124-51025	双头螺栓 stud	4
3	07040-15223	螺塞 plug	1
4	07002-05234	O型圈 O-ring	1
5	175-15-45560	杠杆 lever	1
6	06120-02016	轴承 bearing	2
7	144-15-29110	油封 seal oil	1
8	175-15-45570	垫圈 washer	1
9	04064-01812	开口环 ring snap	1
10	175-15-45610	轴 shaft	1
11	06120-02016	轴承 bearing	1
12	06121-02016	轴承 bearing	1
13	144-15-29110	油封 seal oil	1
14	175-15-45570	垫圈 washer	1
15	04064-01812	开口环 ring snap	1
16	175-15-45620	锁挡 stopper	1
17	04050-03040	开口销 pin cotter	1
18	175-15-45650	杠杆 lever	1
19	125-15-11530	螺栓 bolt	1
20	04059-01010	锁紧钢丝 wire lock	1
21	175-15-45650	螺栓 bolt	1
22	07002-01223	O型圈 O-ring	1
23	175-15-45660	垫圈 washer	2
24	175-15-45690	杠杆 lever	1
25	144-15-29120	轴承 bearing	2
26	144-15-25691	滚柱 pin	1
27	175-15-45670	套筒 sleeve	1
28	01643-31032	垫圈 washer	1
29	01580-11008	螺母 nut	1
30	154-15-45710	弹簧 spring	1
31	175-15-45780	托架 bracket	1
32	01010-51020	螺栓 bolt	2
33	01643-31032	垫圈 washer	1
34	175-15-45750	垫板 plate	1
35	154-15-45760	填密垫 gasket	1
36	01010-51020	螺栓 bolt	2

第 211 图

变速阀盖及操纵杆

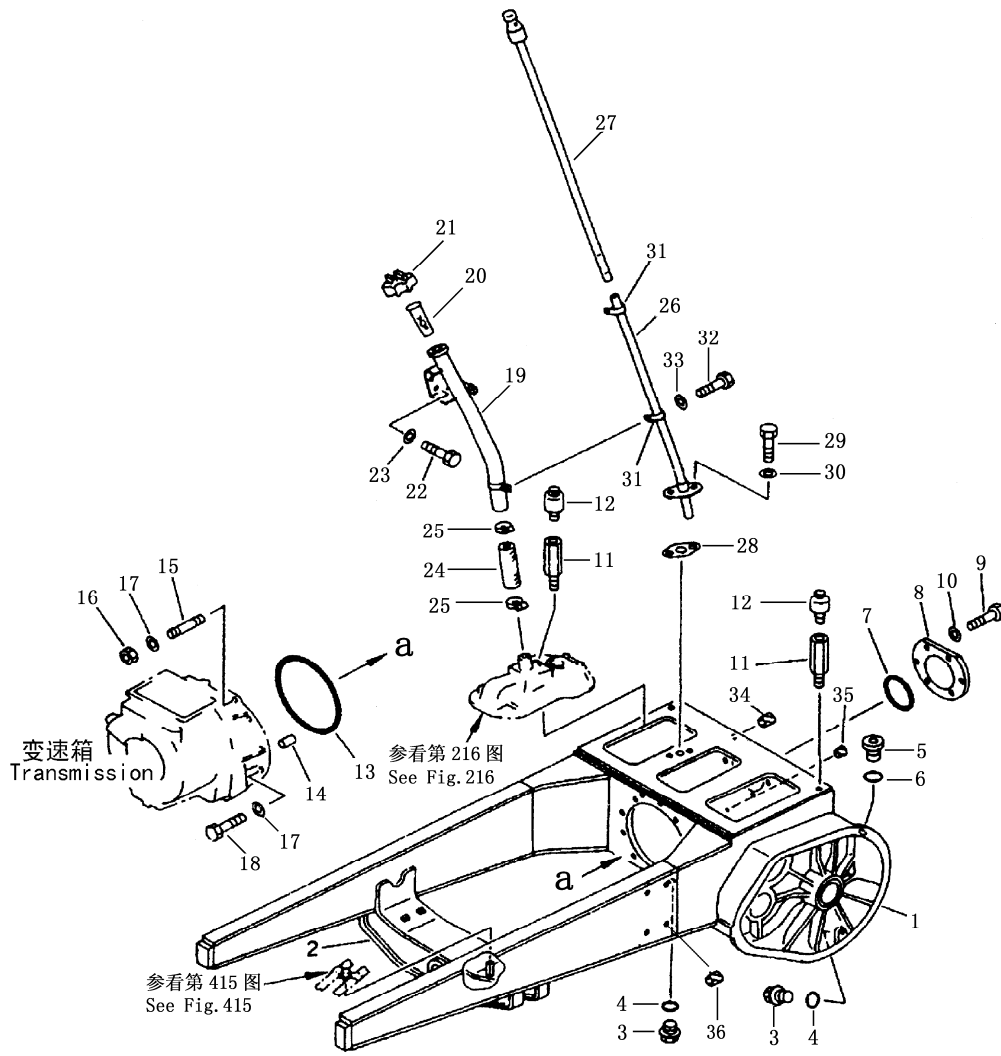
FIG. 211 TRANSMISSION VALVE COVER AND LEVER



变速阀盖及操纵杆
TRANSMISSION VALVE COVER AND LEVER

序号 Index No.	件 号 Part No.	名 称 Description	数量 Q'ty
211-37	01643-31032	垫圈 washer	1
38	175-15-45550	套筒 sleeve	2
39	07000-73028	O型圈 O-ring	4
40	175-15-45530	盖 cover	1
41	154-15-45540	填密垫 gasket	1
42	01643-31032	垫圈 washer	1
43	01580-11008	螺母 nut	4
44	04020-01024	定位销 pin dowel	2
45	154-15-45520	填密垫 gasket	1
46	01010-81025	螺栓 bolt	14
47	01602-21030	弹簧垫圈 washer	14
48	01640-21016	垫圈 washer	14

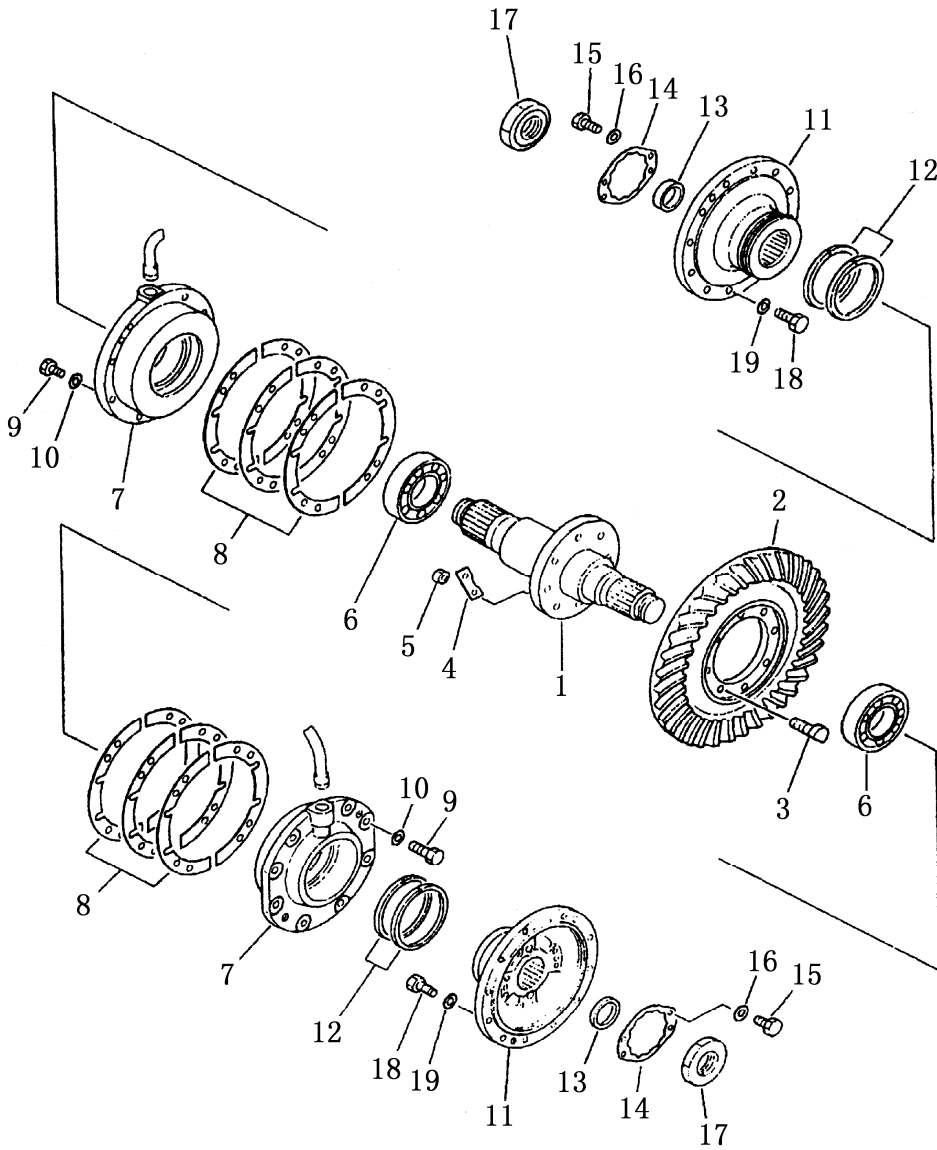
第 212 图 后桥箱与主机架
 FIG. 212 STEERING CASE AND MAIN FRAME



后桥箱与主机架
STEERING CASE AND MAIN FRAME

序号 Index No.	件号 Part No.	名称 Description	数量 Q'ty		
			SD23	SD23E SD23D	SD23S SD23R
212-1	17Y-30A-10000	主机架 main frame	1	1	
	17S-30-10000	后桥箱与主机架 case frame ass'y			1
2	154-21-41420	平衡梁架 bracket (welded)	1	1	
	154-21-11421	平衡梁架 bracket (welded)			1
3	07044-13620	螺塞 plug magnenc	3	3	3
4	07002-03634	O形圈 O-ring	3	3	3
5	07040-13618	螺塞 plug	2	2	2
6	07002-03634	O形圈 O-ring	2	2	2
7	07000-05195	O形圈 O-ring	1	1	1
8	175-21-32170	盖 cover	1	1	1
9	01010-52040	螺栓 bolt	6	6	6
10	01643-32060	垫圈 washer	6	6	6
11	154-21-11830	接管 nipple	3	3	3
12	07030-00252	油杯 breather	3	3	3
13	07000-05440	O形圈 O-ring	1	1	1
14	04020-01842	圆柱销 pin dowel	1	1	1
15	01120-31645	双头螺柱 stud	2	2	2
16	01582-11613	螺母 nut	2	2	2
17	01643-31645	垫圈 washer	10	10	10
18	01010-51645	螺栓 bolt	8	8	8
19	154-21-41120	管 tube	1	1	1
20	07056-10045	过滤网 strainer	1	1	1
21	07051-20000	盖 cap	1	1	1
22	01010-51225	螺栓 bolt	2	2	2
23	01643-31232	垫圈 washer	2	2	2
24	07260-24122	软管 hose	1	1	1
25	07281-00549	喉箍 clamp hose	2	2	2
26	154-21-41130	管 tube	1	1	1
27	154-21-41140	油尺 gauge	1	1	1
28	6696-61-9921	密封垫 gasket	1	1	1
29	01010-51230	螺栓 bolt	2	2	2
30	01643-51232	垫圈 washer	2	2	2
31	08035-01512	套管夹 clip	2	2	2
32	01010-51225	螺栓 bolt	2	2	2
33	01643-31232	垫圈 washer	2	2	2
34	07049-03342	防尘塞 plug	16	16	16
35	07049-02025	防尘塞 plug	2	2	2
36	07049-03038	防尘塞 plug	8	8	8

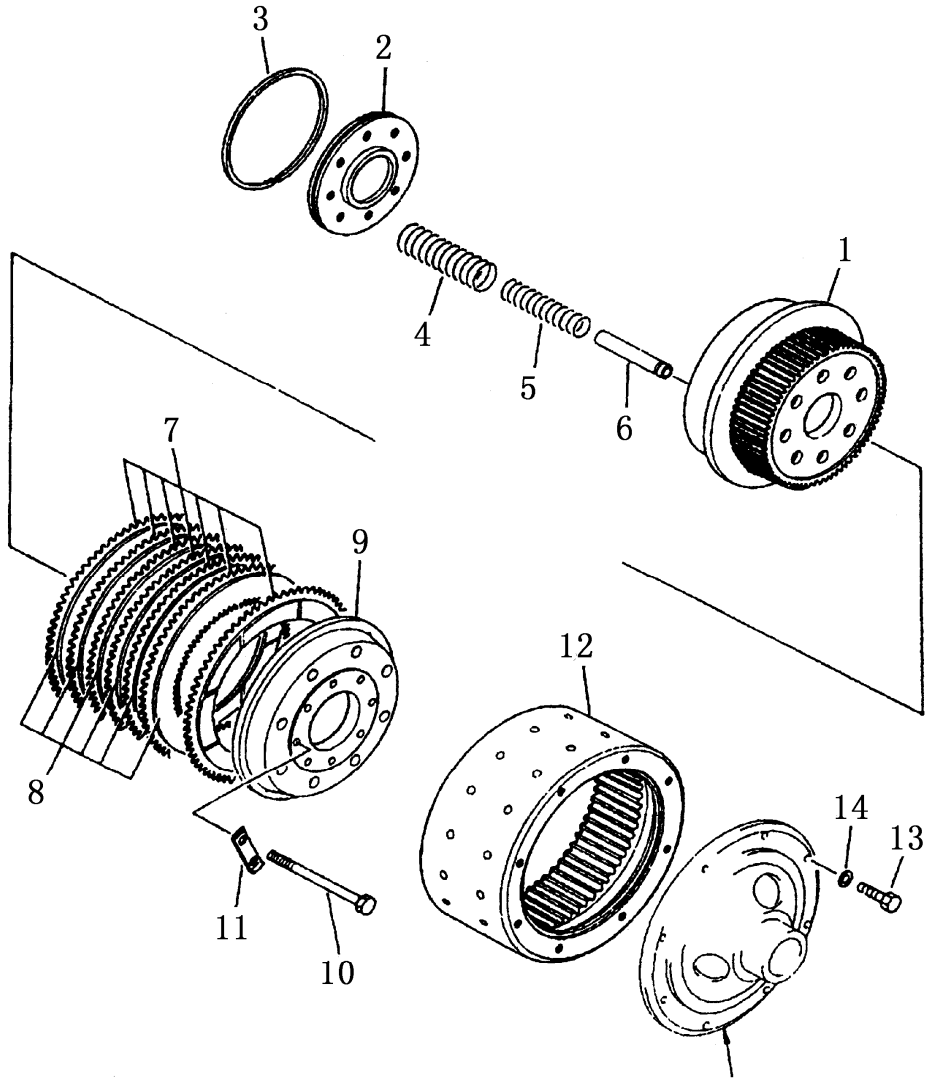
第213图 伞齿轮和横轴
FIG. 213 BEVEL GEAR AND SHAFT



伞齿轮和横轴
BEVEL GEAR AND SHAFT

序号 Index No.	件 号 Part No.	名 称 Description	数量 Q'ty
	154-22-10001	转向离合器及中央传动总成, 本总成包括图 213 至 214 中的所有零件 steering clutch and midst transmission ass'y, this ass'y consists of all parts shown in Fig.213 to 214	
213-1	154-21-12114	横轴 shaft	1
2	154-21-41151	伞齿轮 gear bevel	1
3	150-21-12130	螺栓 bolt reamer	8
4	150-21-32140	锁垫 washer lock	4
5	01582-11815	螺母 nut	8
6	154-21-22161	轴承 bearing	2
7	154-21-12161	轴承座 cage bearing	2
8	154-21-00011	垫片总成 shim ass'y	2
9	01010-51445	螺栓 bolt	16
10	01643-31445	垫圈 washer	16
11	198-21-11490	轮毂 hub	2
12	170-22-11130	密封环 ring seal	4
13	154-21-22211	衬垫 packing	2
14	198-21-11480	锁片 plate	2
15	01010-51025	螺栓 bolt	4
16	01643-31032	垫圈 washer	4
17	170-21-12141	螺母 nut	2
18	01010-51645	螺栓 bolt	24
19	01643-31645	垫圈 washer	24

第 214 图 转向离合器
FIG. 214 STEERING CLUTCH



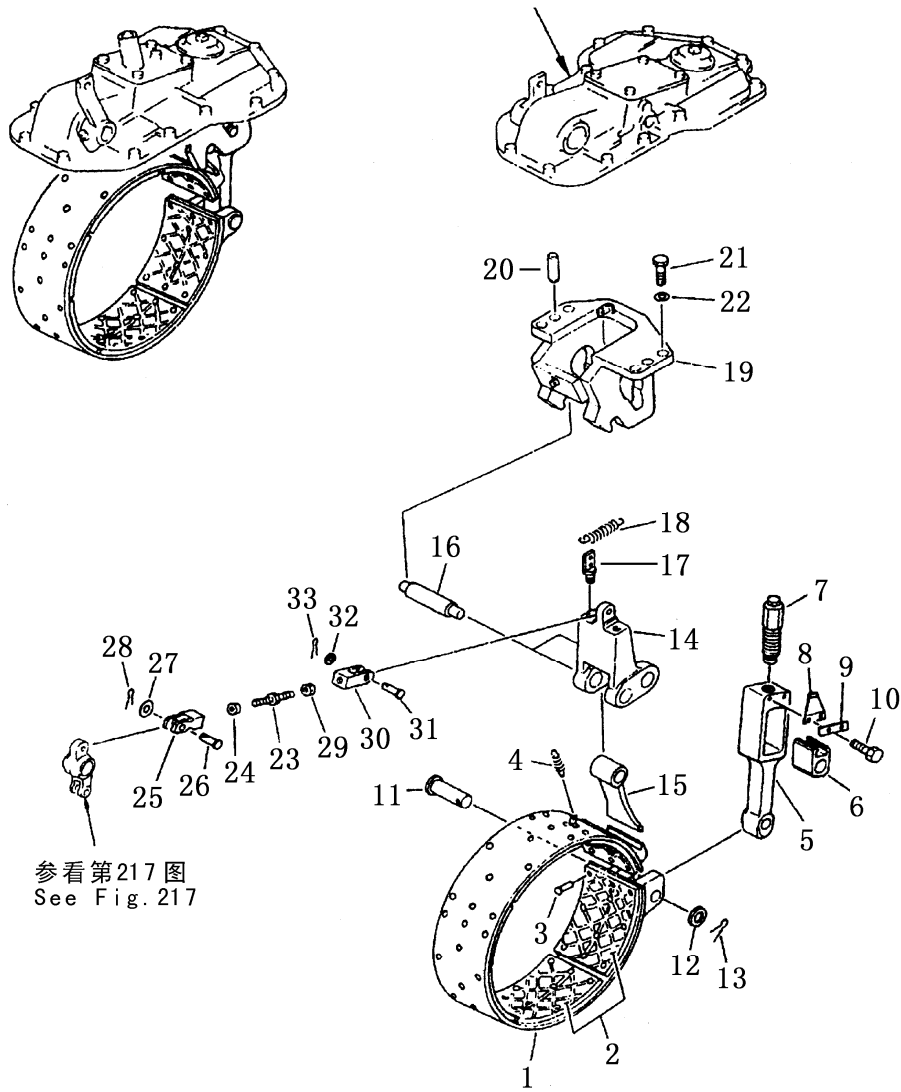
参看第 218 图
See Fig. 218

转向离合器
STEERING CLUTCH

序号 Index No.	件号 Part No.	名称 Description	数量 Q'ty
	154-22-10001	转向离合器及中央传动总成, 本总成包括图 213 至 214 中的所有零件 steering clutch and midst transmission ass'y, this ass'y consists of all parts shown in Fig.213 to 214	2
214-1	154-22-11122	内鼓 drum inner	1
2	175-22-21141	活塞 piston	1
3	175-22-21190	密封环 ring seal	1
4	175-22-21170	大弹簧 spring large	8
5	175-22-21180	小弹簧 spring small	8
6	154-22-11210	套筒 sleeve	8
7	154-22-11230	磨擦片 disc	7
8	175-22-21160	齿片 plate	6
9	175-22-21131	压盘 plate	1
10	154-22-12111	螺栓 bolt	8
11	175-22-21250	锁片 washer lock	4
12	154-22-11111	外鼓 drum brake	1
13	01010-51850	螺栓 bolt	16
14	01643-31845	垫圈 washer	16

第 215 图 制动带及联动装置
 FIG. 215 BRAKE BAND AND LINKAGE

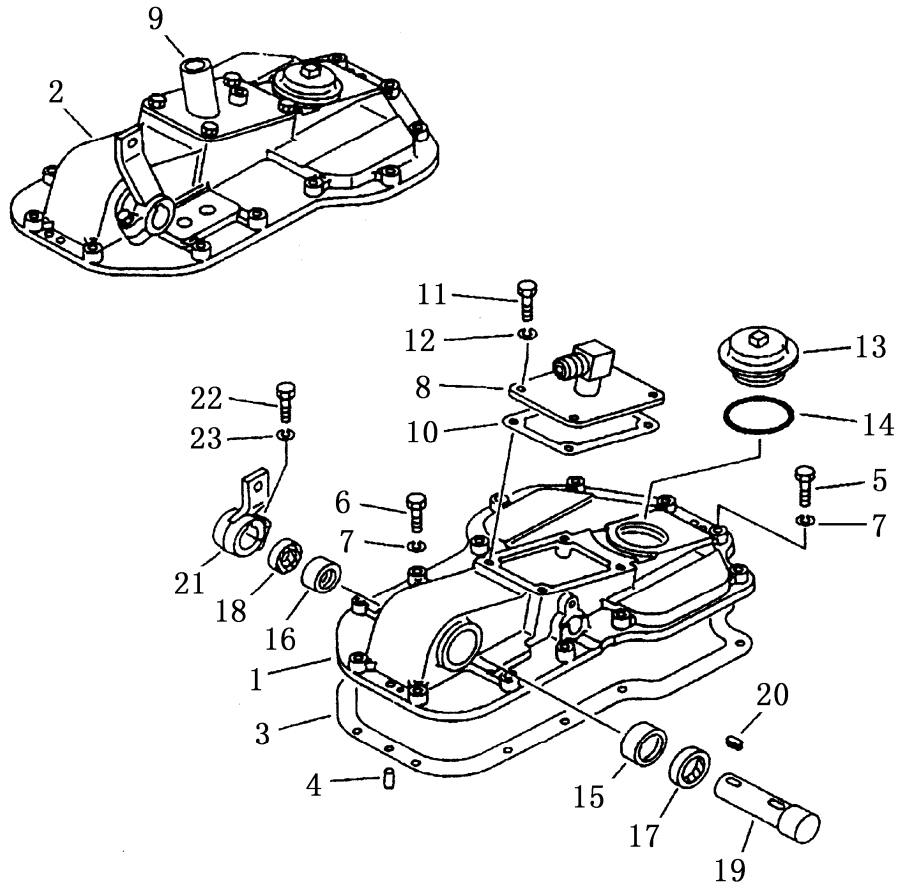
参看第216图
 See Fig. 216



制动带及联动装置
BRAKE BAND AND LINKAGE

序号 Index No.	件号 Part No.	名称 Description	数量 Q'ty
	154-33-30000	转向制动总成,本总成包括图 215 至 217 中的所有零件 Steering and brake ass'y, this assembly consists of all parts shown in Fig. 215 to 217	
215-1	154-33-11111	制动带 band brake	1
2	154-33-13110	制动衬带 lining brake	6
3	04412-00512	铆钉 rivet	60
4	100-33-13120	弹簧 spring	2
5	154-33-11530	杆 rod	2
6	154-33-11540	块 block	2
7	154-33-11550	调整螺栓 bolt adjusting	2
8	154-33-11610	弹簧 spring	2
9	154-33-11620	锁板 plate lock	2
10	01010-51016	螺栓 bolt	4
11	154-33-11510	销 pin	2
12	154-33-11520	垫圈 washer	2
13	04050-04040	开口销 pin cotter	2
14	154-33-11570	杠杆 lever	2
15	154-33-11560	尾端 end	2
16	175-33-24260	锁轴 shaft	4
17	154-33-11650	垫座 seat	2
18	150-33-12171	弹簧 spring	2
19	154-33-11642	托架(左) bracket L.H	1
19	154-33-11632	托架(右) bracket R.H	1
20	154-33-11720	定位销 pin dowel	4
21	01010-51850	螺栓 bolt	8
22	01643-31845	垫圈 washer	8
23	155-33-11130	调整螺栓 bolt adjusting	2
24	01583-11610	螺帽 nut	2
25	154-33-22150	叉 yoke	2
26	04205-11645	销 pin	2
27	01641-21626	垫圈 washer	2
28	04050-14025	开口销 pin cotter	2
29	01508-21610	螺帽 nut	2
30	154-33-22360	叉 yoke	2
31	04205-11645	销 pin	2
32	01641-21626	垫圈 washer	2
33	04050-14025	开口销 pin cotter	2

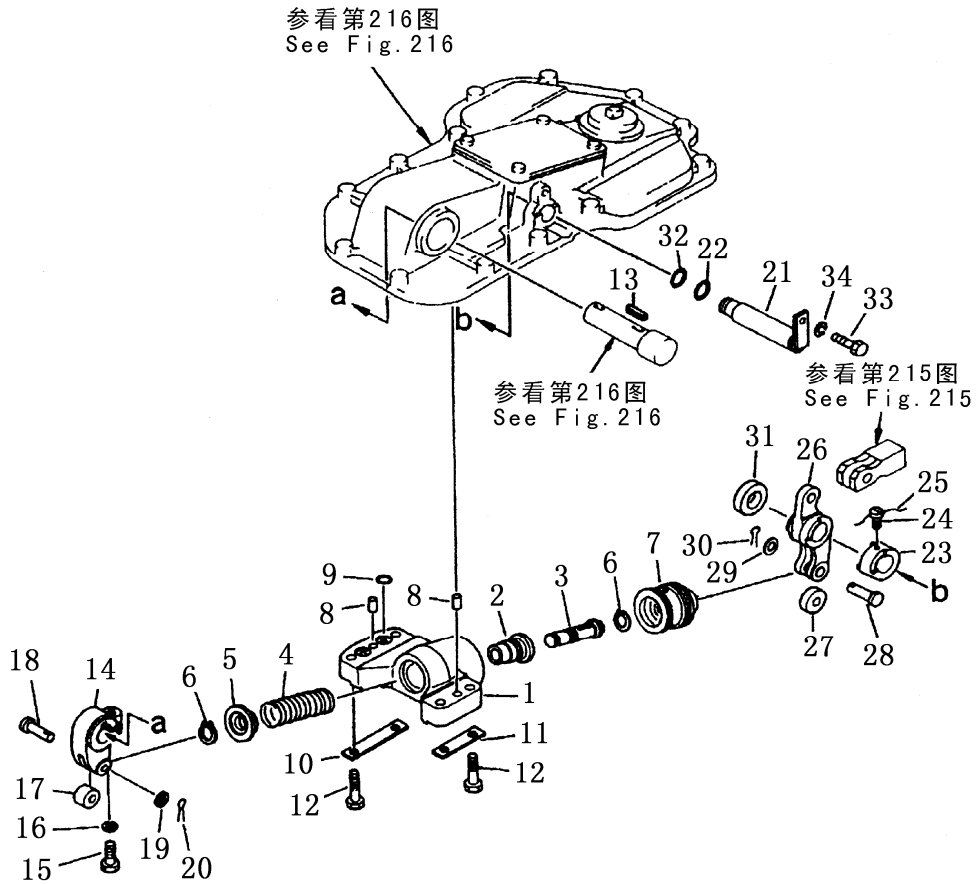
第 216 图 制 动 盖
FIG. 216 STEERING CASE COVER



制 动 盖
STEERING CASE COVER

序号 Index No.	件 号 Part No.	名 称 Description	数量 Q'ty
216-1	154-33-31110	刹车盖 (左) cover brake L.H	1
2	154-33-31120	刹车盖 (右) cover brake R.H	1
3	154-33-22191	密封垫 gasket	2
4	04020-01228	定位销 pin dowel	4
5	01010-51245	螺栓 bolt	4
6	01010-51260	螺栓 bolt	22
7	01602-21236	弹簧垫圈 washer spring	26
8	154-33-31210	盖 (左) cover L.H	1
9	154-33-31170	托架(右) bracket R.H	1
10	154-33-21471	密封垫 gasket	2
11	01010-51230	螺栓 bolt	8
12	01602-21236	垫圈 washer	8
13	154-33-21142	帽 cap	2
14	07000-02095	O 型圈 O-ring	2
15	154-33-21320	衬套 bushing	2
16	154-33-21330	衬套 bushing	2
17	154-33-21340	油封 seal oil	2
18	154-33 21350	油封 seal oil	2
19	154-33-21310	轴 shaft	2
20	04000-01030	键 key	2
21	154-33-31160	摇臂 lever	2
22	01010-51240	螺栓 bolt	2
23	01602-21236	垫圈 washer	2

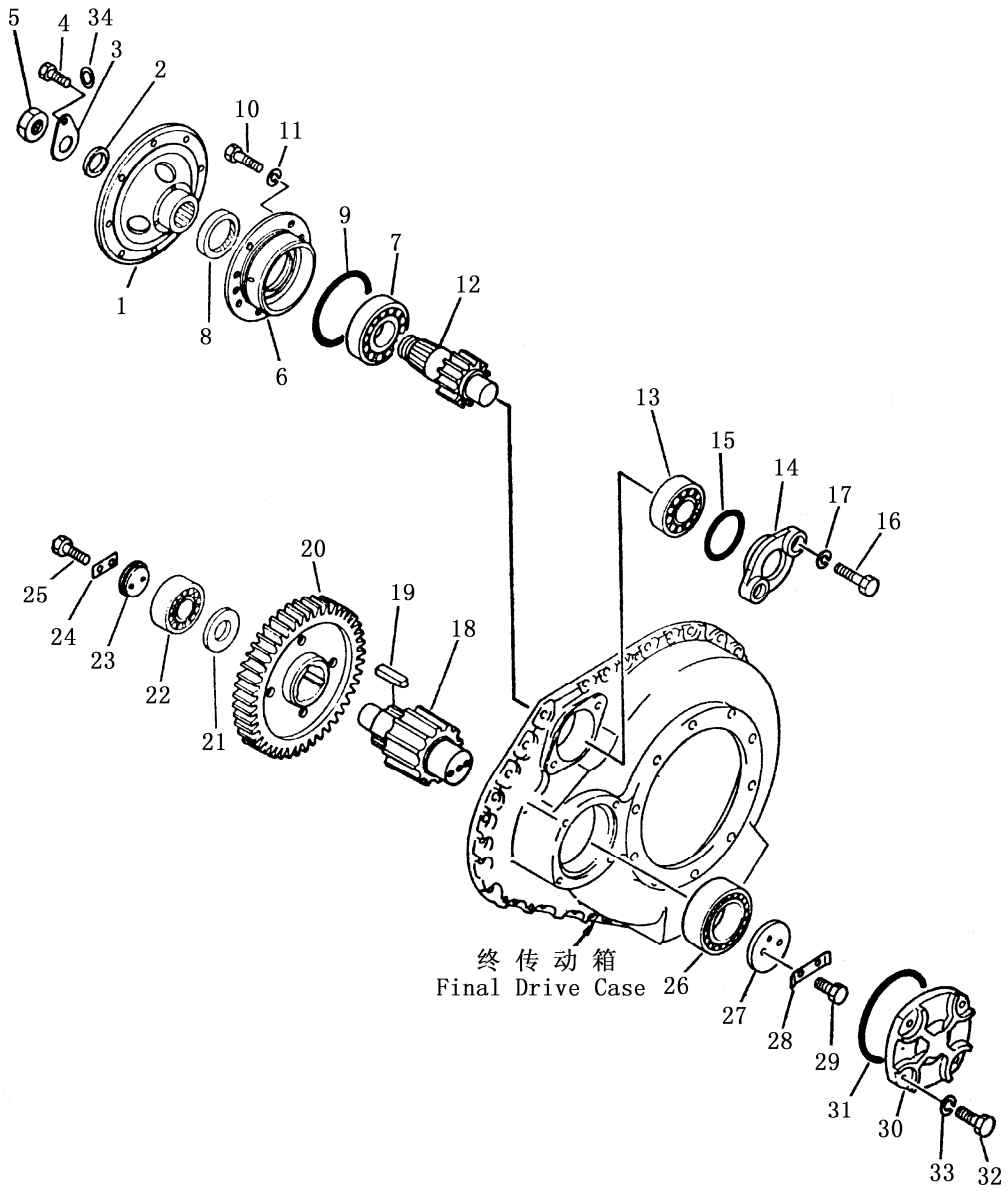
第 217 图 制动助力器
 FIG. 217 BRAKE BOOSTER



制动助力器
BRAKE BOOSTER

序号 Index No.	件号 Part No.	名称 Description	数量 Q'ty
217-1	154-33-31130	阀体 (左) body L.H	1
	154-33-31140	阀体 (右) body R.H	1
2	195-33-14341	轴套 bushing	2
3	154-33-31180	卷轴 spool	2
4	170-33-13370	弹簧 spring	2
5	175-33-31310	挡圈 ring, stopper	2
6	04064-02512	开口环 ring	2
7	154-33-31150	活塞 piston	2
8	04020-01228	定位销 pin dowel	4
9	07000-02018	O型圈 O-ring	2
10	154-33-21420	锁片 plate lock	2
11	154-33-21430	锁片 plate lock	2
12	01010-81255	螺栓 bolt	8
13	04000-01030	键 key	2
14	154-33-21150	摇臂 lever	2
15	01010-51240	螺栓 bolt	2
16	01602-21236	垫圈 washer	2
17	170-33-13330	滚子 roller	2
18	04205-11645	销 pin	2
19	01641-21626	垫圈 washer	2
20	04050-14025	开口销 pin	2
21	154-33-21262	轴 shaft	2
22	07000-03030	O型圈 O-ring	2
23	154-33-21270	衬套 spacer	2
24	01306-00616	螺钉 screw	2
25	04059-01020	锁紧钢丝 wire lock	2
26	154-33-21161	摇臂 lever	2
27	170-33-13330	滚子 roller	2
28	04205-11645	销 pin	2
29	01641-21626	垫圈 washer	2
30	04050-14025	开口销 pin cotter	2
31	154-33-21280	衬套 spacer	2
32	07000-03025	O型圈 O-ring	2
33	01010-51025	螺栓 bolt	2
34	01602-21030	垫圈 washer	2

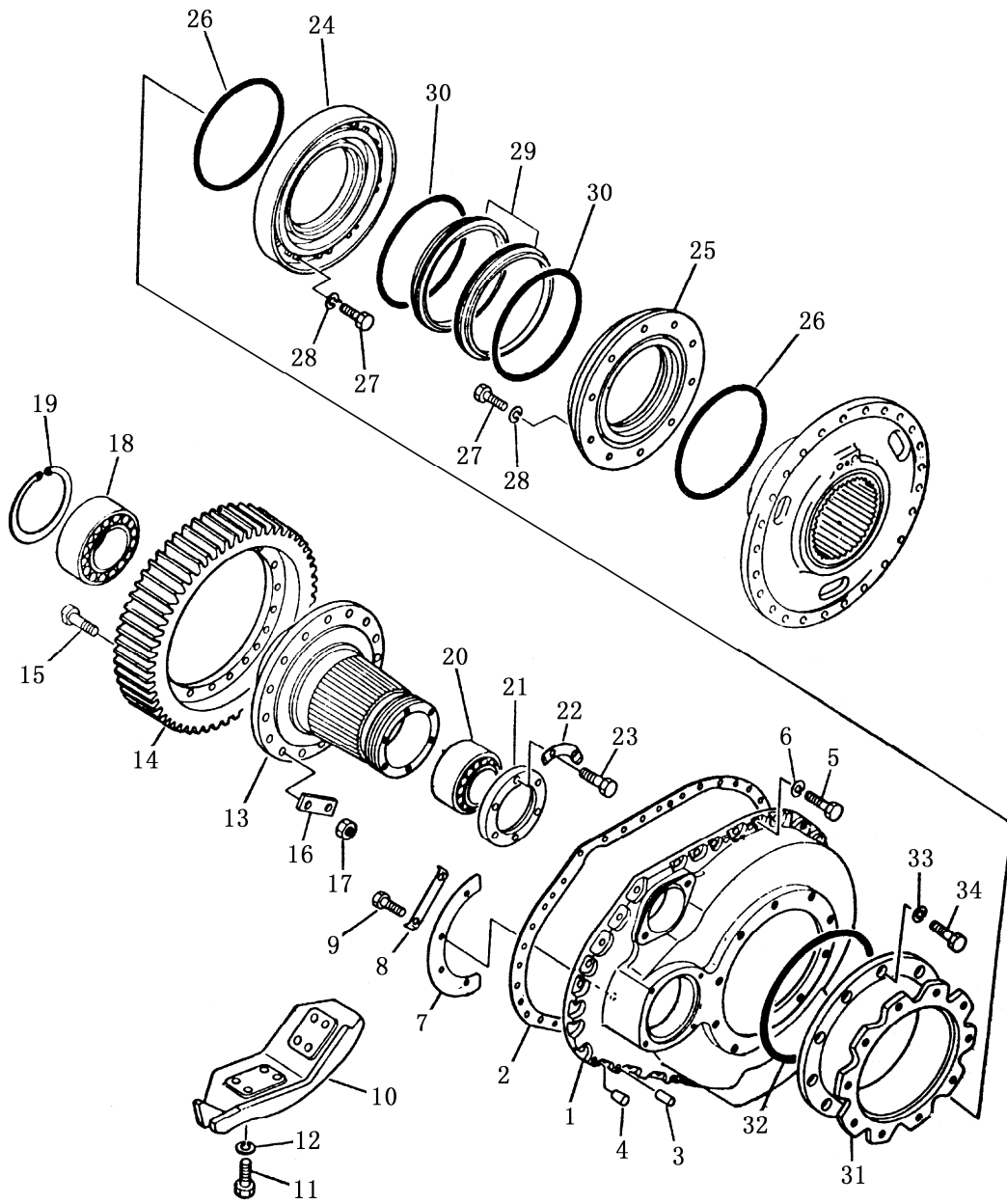
第 218 图 终传动箱及齿轮 (1/2)
 FIG. 220 FINAL DRIVE CASE AND GEAR



终传动箱及齿轮 (1/2)
FINAL DRIVE CASE AND GEAR

序号 Index No.	件号 Part No.	名称 Description	数量 Q'ty
218-1	175-27-31463	法兰盘 flange	2
2	170-27-11232	垫圈 spacer	2
3	195-27-12620	锁垫 washer	2
4	01010-51225	螺栓 bolt	2
5	170-21-12141	螺帽 nut	2
6	154-27-11262	轴承座 cage	2
7	170-09-13160	圆柱滚子轴承 bearing	2
8	07013-10120	油封 seal	2
9	07000-05225	O型圈 o-ring	2
10	01010-51640	螺栓 bolt	16
11	01643-31645	垫圈 spacer	16
12	154-27-11257	小齿轮 (第1级) pinion first	2
13	150-09-13260	圆柱滚子轴承 bearing	2
14	154-27-11144	盖 cover	2
15	07000-05150	O型圈 o-ring	2
16	01010-52050	螺栓 bolt	4
17	01602-22060	垫圈 washer	4
18	154-27-11327	小齿轮 (第2级) pinion second	2
19	154-27-11330	键 key	6
20	154-27-11314	齿轮 (第1级) gear first	2
21	154-27-21341	隔片 spacer	2
22	150-09-13260	圆柱滚子轴承 bearing	2
23	154-27-11392	内夹板 holder	2
24	154-27-11383	内锁片 lock	2
25	01010-51230	螺栓 bolt	4
26	150-09-13240	圆柱滚子轴承 bearing	2
27	154-27-11373	外夹板 holder	2
28	154-27-11420	外锁片 lock	2
29	01010-51230	螺栓 bolt	4
30	154-27-11191	盖 cover	2
31	07000-05220	O型圈 o-ring	2
32	01010-51640	螺栓 bolt	8
33	01602-21648	垫圈 washer	8
34	01643-31232	垫圈 spacer	2

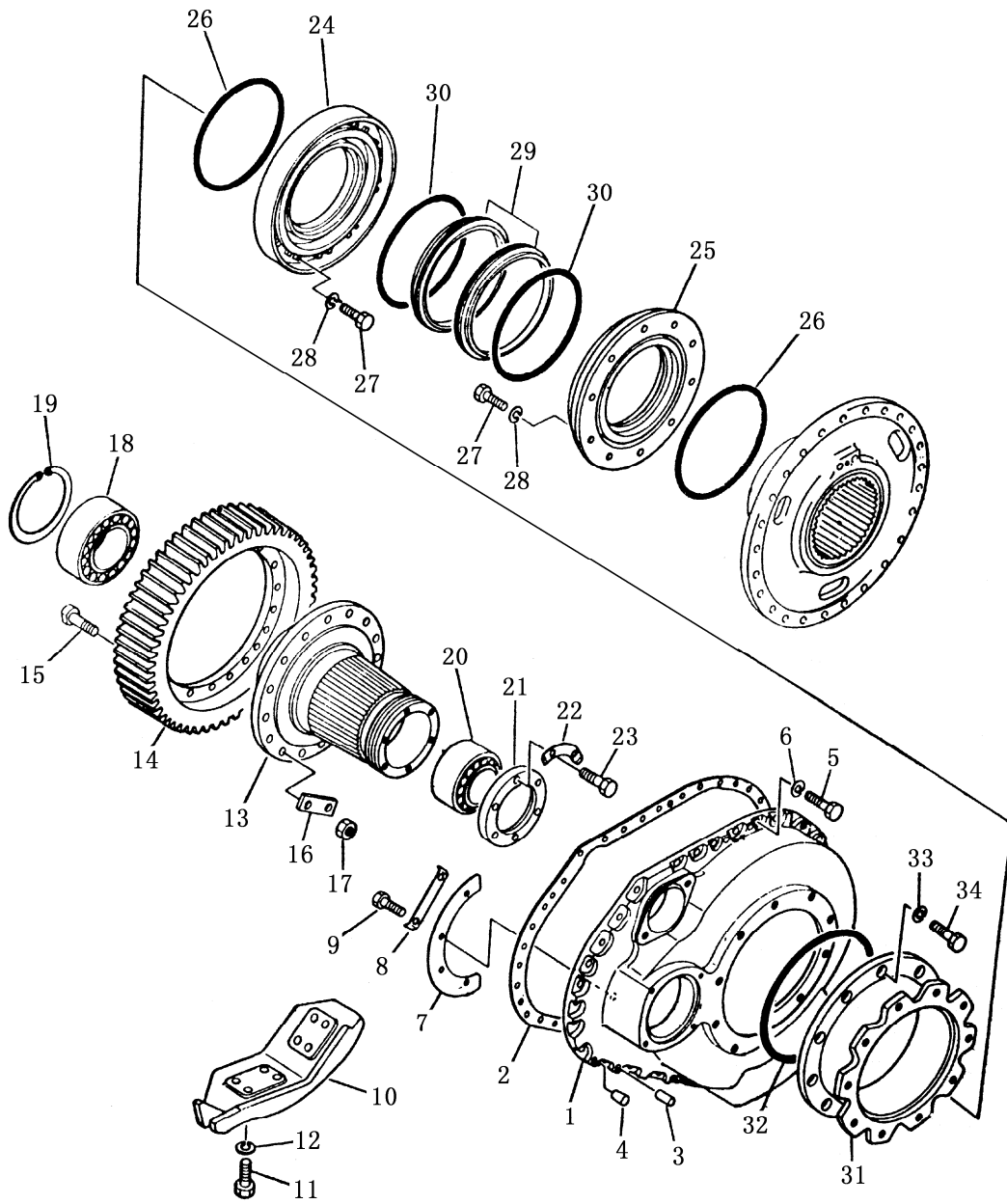
第 219 图 终传动箱及齿轮 (2/2)
 FIG. 219 FINAL DRIVE CASE AND GEAR



终传动箱及齿轮 (2/2)
FINAL DRIVE CASE AND GEAR

序号 Index No.	件号 Part No.	名称 Description	数量 Q'ty	
			SD23 SD23E SD23D	SD23S SD23R
219-1	154-27-11113	终传动箱 (左) case final drive L.H	1	1
	154-27-11123	终传动箱 (右) case final drive R.H	1	1
2	154-27-11460	密封垫 gasket	2	2
3	04020-01842	圆柱销 pin dowel	4	4
4	07049-02025	螺塞 plug	4	4
5	01010-52050	螺栓 bolt	62	62
6	01643-32060	垫圈 washer	62	62
7	154-27-11410	板 plate	2	2
8	175-27-31540	垫板 lock	4	4
9	01010-51220	螺栓 bolt	8	8
10	154-27-15110	护板 (左) guard L.H	1	
	154-27-15120	护板 (右) guard R.H	1	
11	01010-52045	螺栓 bolt	16	16
12	01643-32060	垫圈 washer	16	16
13	154-27-12122	齿轮毂 hob sprocket	2	
	TS220.27-2	齿轮毂 hob sprocket		2
14	154-27-12110	大齿轮 gear final drive	2	2
15	175-27-12181	铰制孔螺栓 bolt reamer	32	32
16	175-27-12190	锁片 lock	16	16
17	01582-12419	螺帽 nut	32	32
18	150-09-13110	圆柱滚子轴承 bearing roller	2	2
19	04071-00250	弹性挡圈 ring snap	2	2
20	170-09-13250	双列圆柱滚子轴承 bearing roller	2	2
21	154-27-12560	挡圈 retainer	2	2
22	170-27-12210	锁板 washer	6	6
23	01010-51440	螺栓 bolt	12	12
24	154-27-12152	盖 cover	2	2
25	154-27-12162	盖 cover	2	2
26	07000-05410	O型圈 o-ring	4	4
27	01010-51230	螺栓 bolt	40	40

第 219 图 终传动箱及齿轮 (2/2)
 FIG. 219 FINAL DRIVE CASE AND GEAR

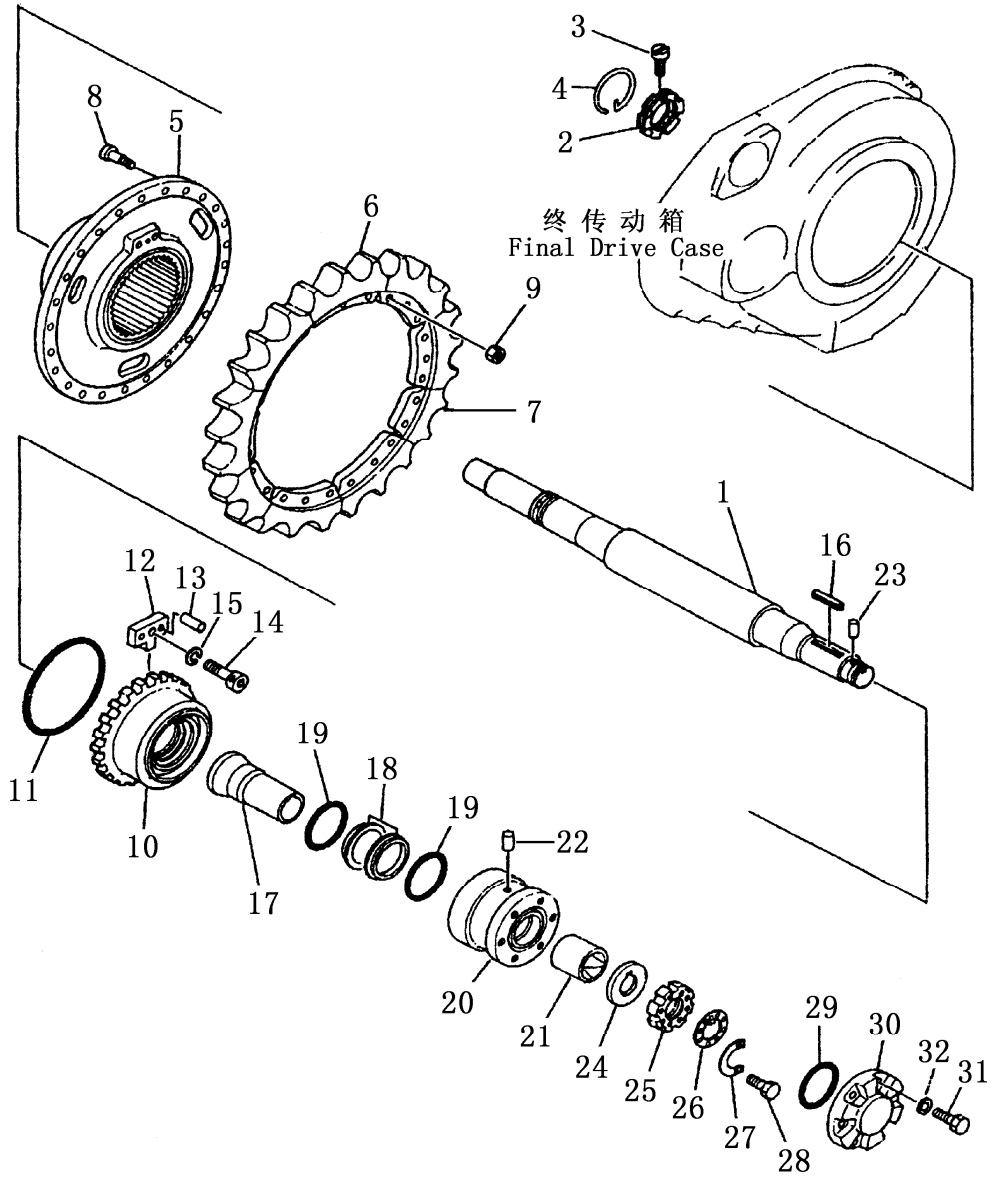


终传动箱及齿轮 (2/2)
FINAL DRIVE CASE AND GEAR

序号 Index No.	件号 Part No.	名称 Description	数量 Q'ty	
			SD23 SD23E SD23D	SD23S SD23R
219-28	01602-21236	垫圈 washer	40	40
29	170-27-12513	浮封环 floating ring	4	4
30	195-27-12710	O型圈 O-ring	4	4
31	154-27-15211	衬套 spacer		2
32	07000-05410	O型圈 O-ring		2
33	01602-21236	垫圈 washer		20
34	01010-51230	螺栓 bolt		20

第 220 图
FIG. 220

链轮及轴
SPROCKET AND SHAFT

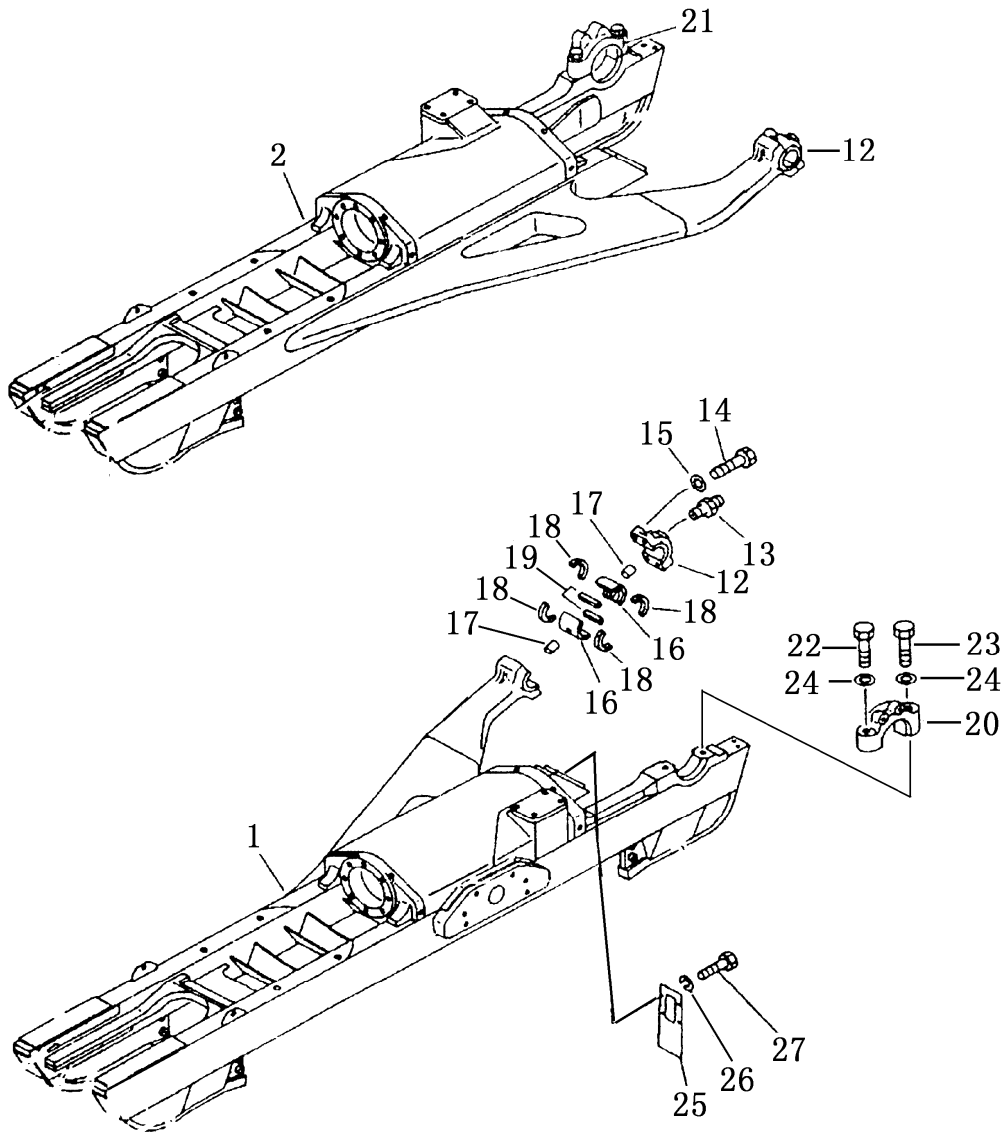


链 轮 及 轴 SPROCKET AND SHAFT

序号 Index No.	件 号 Part No.	名 称 Description	数量 Q'ty	
			SD23 SD23E SD23D	SD23S SD23R
220-1	154-27-12313	半轴 shaft	2	
	154-27-15191	半轴 shaft		2
2	170-27-12472	螺母 nut	2	2
3	09243-01230	销 pin	2	2
4	170-27-12480	环 ring	2	2
5	154-27-12131	链轮毂 boss sprocket	2	2
6	154-27-12273	链轮齿 (3牙) teeth sprocket 3-teash	14	14
7	154-27-12283	链轮齿 (2牙) teeth sprocket 2-teash	4	4
8	155-27-12181	螺栓 bolt	50	50
9	01803-02228	螺帽 nut	50	50
10	170-27-12232	链轮毂螺帽 nut hub	2	2
11	07000-05315	O型圈 O-ring	2	2
12	175-27-31480	锁挡 stopper	2	2
13	170-27-12250	定位销 pin dowel	4	4
14	01252-41635	螺栓 bolt	2	2
15	01602-21648	垫圈 washer	2	2
16	04000-01280	键 key	2	2
17	154-27-12352	隔套 spacer	2	2
18	198-30-16612	浮封环 floating ring	4	4
19	170-27-12340	O型圈 O-ring	4	4
20	154-27-12240	支承 support ass'y	2	2
21	154-27-12341	轴瓦 bushing	1	1
22	04020-01638	定位销 pin dowel	2	2
23	175-27-32510	定位销 pin dowel	2	2
24	154-27-12424	衬垫 spacer	2	2
25	154-27-12412	螺帽 nut	2	2
26	154-27-15240	垫板 plate	2	2
27	154-27-15250	锁板 plate	2	2
28	01010-51020	螺栓 bolt	4	4
29	02892-03148	O型圈 O-ring	2	2
30	154-27-12362	盖 cover	2	2
31	01010-51640	螺栓 bolt	12	12
32	01643-31645	垫圈 washer	12	12

行 走 装 置
T R A C K E Q U I P M E N T

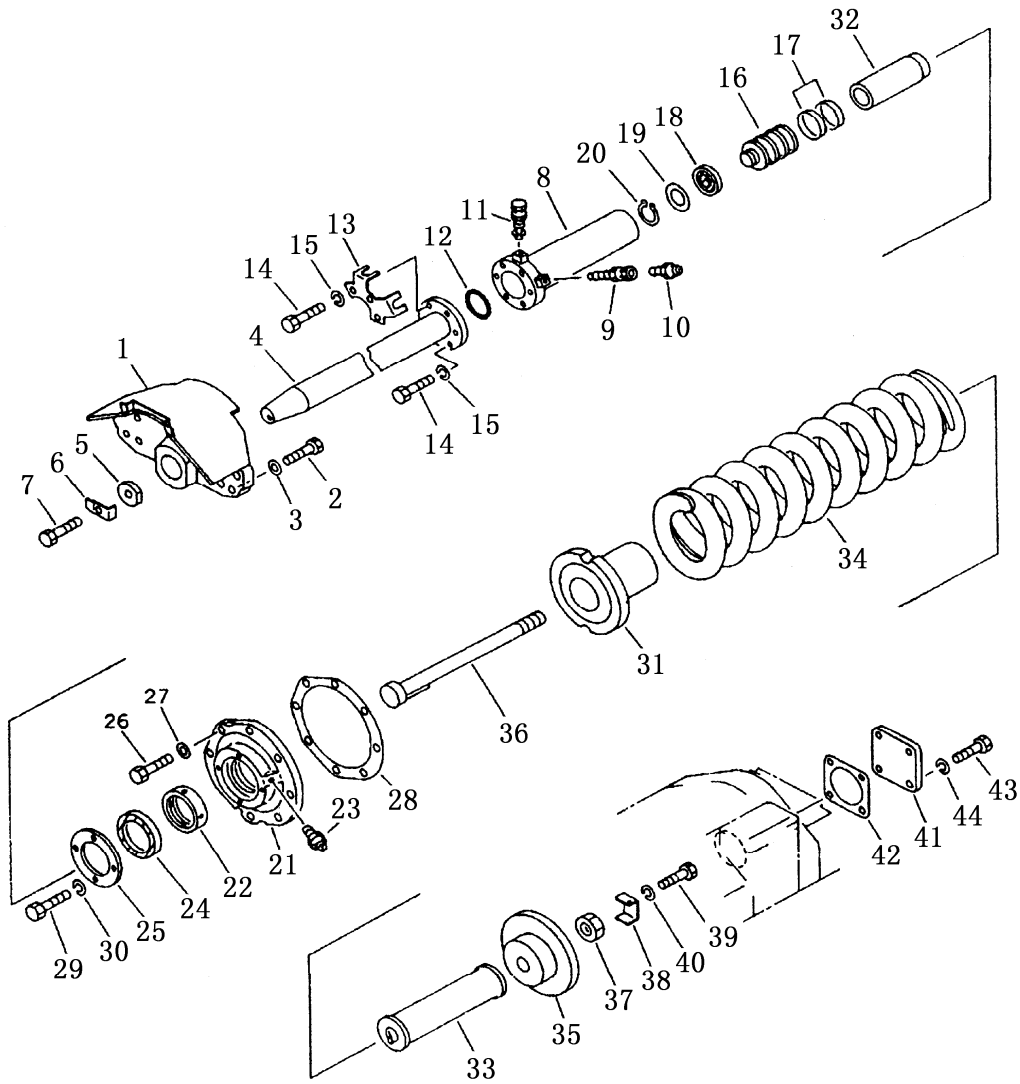
第 301 图 台车架
FIG. 301 TRACK FRAME



台 车 架 TRACK FRAME

序号 Index No	件 号 Part No.	名 称 Description	数量 Q'ty			
			SD23	SD23E SD23D	SD23S	SD23R
301-1	154-30-41110	台车架 (左) frame, track, L. H	1			
	154-30-41310	台车架 (左) frame, track, L. H		1		
	154-30-41611	台车架 (左) frame, track, L. H			1	1
2	154-30-41120	台车架 (右) frame, track, R. H	1			
	154-30-41320	台车架 (右) frame, track, R. H		1		
	154-30-41621	台车架 (右) frame, track, R. H			1	1
12	154-30-11612	盖 cap	2	2		
	155-30-11410	盖 cap			2	2
13	07020-00000	油杯 fitting ,grease	2	2	2	2
14	01011-52400	螺栓 bolt	8	8	8	8
15	01643-32460	垫圈 washer	8	8	8	8
16	154-30-11810	轴瓦 bushing	4	4	4	4
17	04020-01024	定位销 pin ,dowel	4	4	4	4
18	154-30-11821	密封圈 packing	8	8	8	8
19	154-30-11831	密封圈 packing	4	4	4	4
20	154-30-12530	轴承盖 (左) cap, support, L. H	1	1	1	1
21	154-30-12540	轴承盖 (右) cap, support, R. H	1	1	1	1
22	01011-52410	螺栓 bolt	2	2	2	2
23	01011-52450	螺栓 bolt	2	2	2	2
24	01643-32460	垫圈 washer	4	4	4	4
25	154-30-13480	板 plate			1	1
26	01010-51240	螺栓 bolt			3	3
27	01602-21236	垫圈 washer			3	3

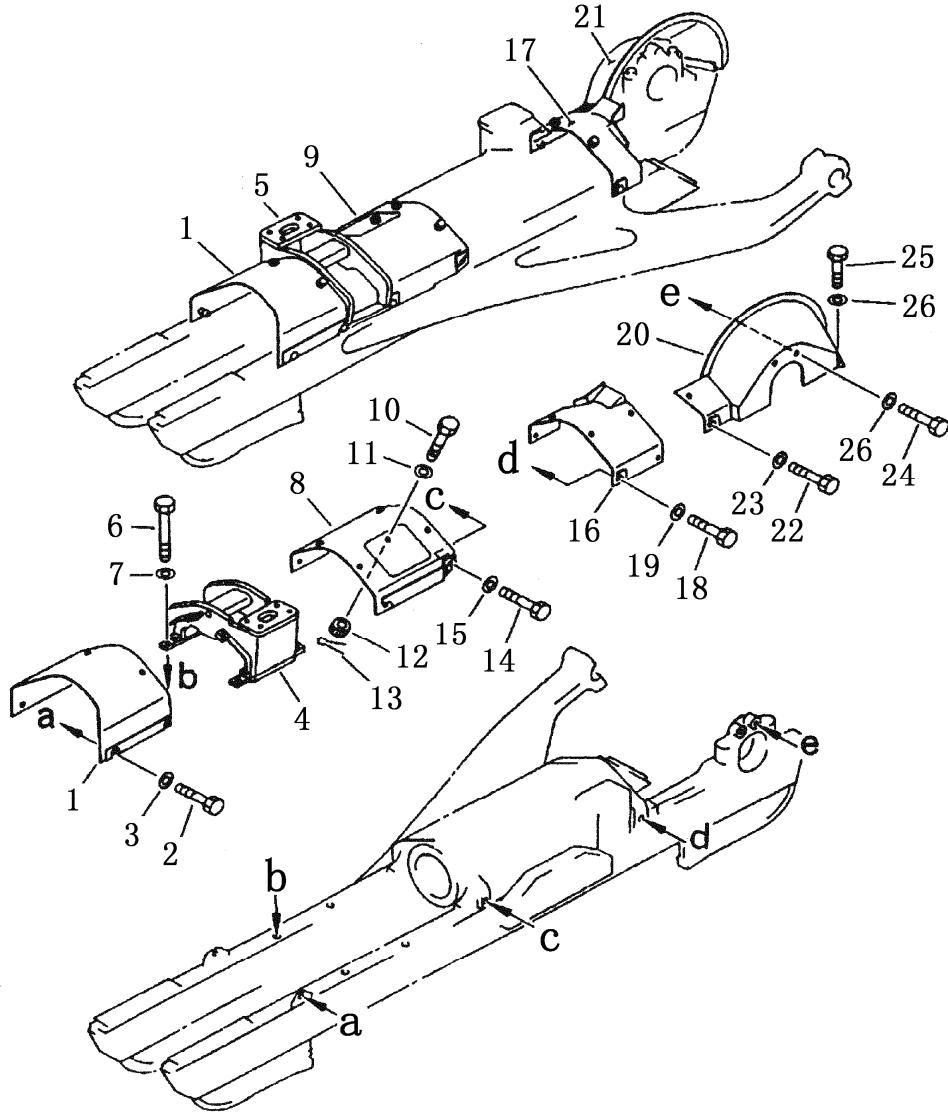
第 302 图 涨紧装置
FIG. 302 RECOIL SPRING



涨紧装置 RECOIL SPRING

序号 Index No	件号 Part No.	名称 Description	数量 Q'ty		
			SD23	SD23E SD23D	SD23S SD23R
302-1	154-30-11497	支座焊合件 bracket	2	2	2
2	01010-52065	螺栓 bolt	16	16	16
3	01643-32060	垫圈 washer	16	16	16
4	154-30-44110	轴 shaft	2		
	154-30-44230	轴 shaft		2	
	154-30-44220	轴 shaft			2
5	154-30-11332	垫圈 washer	2	2	2
6	154-30-11540	锁板 plate lock	2	2	2
7	01010-52050	螺栓 bolt	2	2	2
8	154-30-11145	油缸 cylinder	2	2	2
9	07959-30000	阀 valve	2	2	2
10	07020-00000	油杯 fitting grease	2	2	2
11	198-30-14420	油塞 plug	2	2	2
12	07000-15070	O型圈 O-ring	2	2	2
13	154-30-12321	护罩 cover, protect	2	2	2
14	01010-51240	螺栓 bolt	12	12	12
15	01602-21236	垫圈 washer	12	12	12
16	154-30-11771	活塞 piston	2	2	2
17	150-30-13430	活塞环 ring	4	4	4
18	150-30-13442	油封 packing	2	2	2
19	150-30-13480	环 ring	2	2	2
20	150-30-13460	挡圈 ring, snap	2	2	2
22	154-30-00730	盖总成 cover ass'y	2	2	2
21	154-30-44120	盖 cover	1	1	1
22	154-30-12170	衬套 bushing	1	1	1
23	07020-00000	油杯 fitting guess	1	1	1
24	07019-00100	防尘油封 seal, dust	2	2	2
25	154-30-11192	挡板 plate	2	2	2
26	01010-52060	螺栓 bolt	16	16	16
27	01643-32060	垫圈 washer	16	16	16
28	154-30-44131	衬垫 packing	2	2	2
29	01010-51022	螺栓 bolt	8	8	8
30	01602-21030	垫圈 washer	8	8	8
31	154-30-44140	导套 rialto	2	2	2
32	154-30-44150	管 pipe	2	2	2
33	154-30-44160	限位管 tube stopped	2	2	2
34	154-30-44210	涨紧弹簧 spring, recoil	2	2	2
35	154-30-44180	导套 guide bushing	2	2	2
36	154-30-44170	拉杆 shaft	2	2	2
37	01580-13629	螺母 nut	2	2	2
38	154-30-11763	锁垫 washer	2	2	2
39	01010-51020	螺栓 bolt	2	2	2
40	01602-21030	垫圈 washer	2	2	2
41	154-30-44190	盖 cover	2	2	2
42	154-30-11712	衬垫 packing	2	2	2
43	01010-51230	螺栓 bolt	8	8	8
44	01602-21236	垫圈 washer	8	8	8

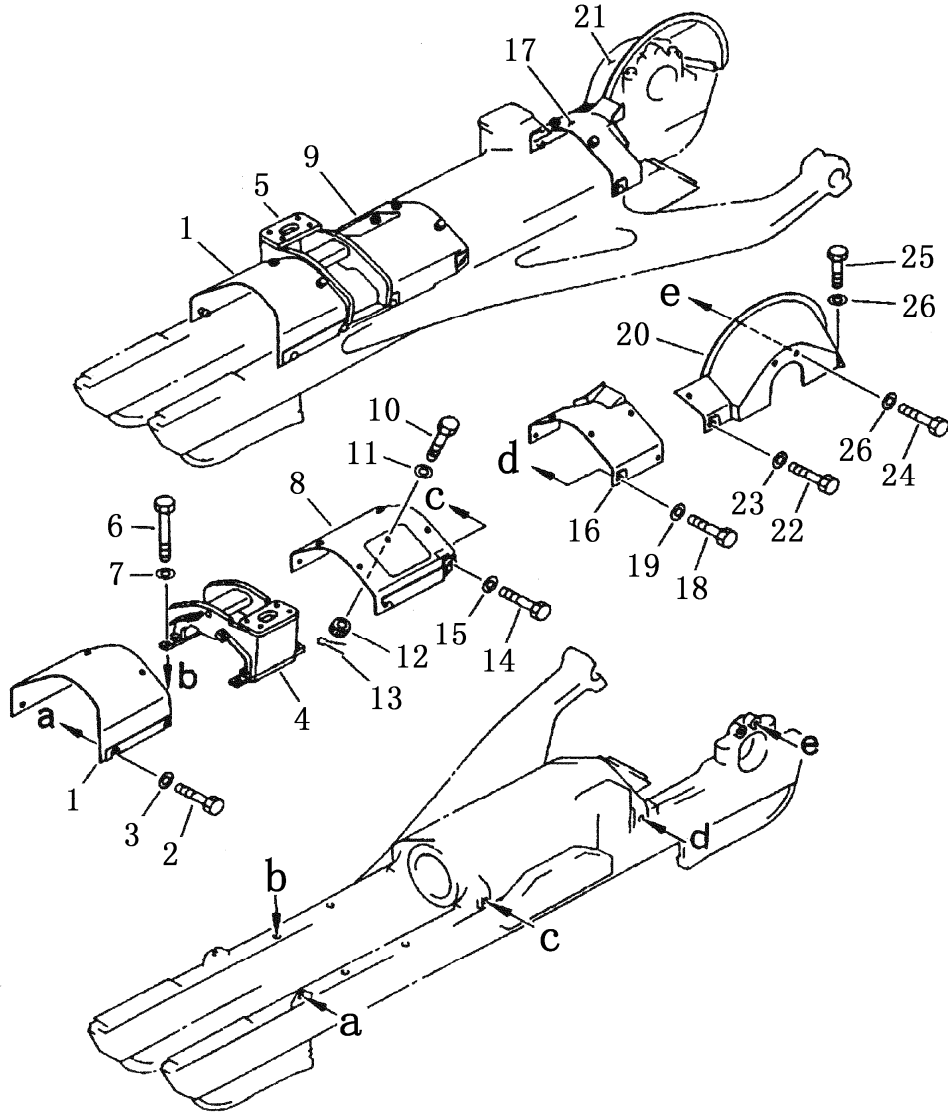
第 303 图 台车架盖
 FIG. 303 TRACK FRAME COVER



台车架盖 TRACK FRAME COVER

序号 Index No	件号 Part No.	名称 Description	数量 Q'ty			
			SD23	SD23E SD23D	SD23S SD23R	
303-1	154-30-47111	前罩 cover	2			
	154-30-13163	前罩 cover		2		
	154-30-13422	前罩 cover			2	
2	01010-51225	螺栓 bolt	12	12		
	01010-51630	螺栓 bolt			16	
3	01643-31232	垫圈 washer	12	12		
	01643-31645	垫圈 washer			16	
4	154-30-11274	支架(左) support L.H.	1	1		
	154-30-11275	支架(左) support L.H.			1	
5	154-30-11284	支架(右) support R.H.	1	1		
	154-30-11285	支架(右) support R.H.			1	
6	01011-52005	螺栓 bolt	8	8	8	
7	01643-32060	垫圈 washer	8	8	8	
8	154-30-47121	中罩组件(左) cover ass'y L.H	1			
	154-30-47210	中罩组件(左) cover ass'y L.H		1		
	154-30-47161	中罩组件(左) cover ass'y L.H			1	
	9	154-30-47131	中罩组件(右) cover ass'y R.H	1		
		154-30-47220	中罩组件(右) cover ass'y R.H		1	
	154-30-47171	中罩组件(右) cover ass'y R.H			1	
10	195-09-18140	螺栓 bolt	1			
	154-30-27180	螺栓 bolt		1	1	
11	01641-21223	垫圈 washer	1	1	1	
12	01590-11215	螺母 nut	1	1	1	
13	04050-13025	开口销 pin cotter	1	1	1	
14	01010-51225	螺栓 bolt	16	16		
	01010-51630	螺栓 bolt			13	
15	01643-31232	垫圈 washer	16	16		
	01643-31645	垫圈 washer			13	
16	154-30-11941	后罩(左) cover L.H.	1	1		
	154-30-11942	后罩(左) cover L.H.			1	
17	154-30-11951	后罩(右) cover R.H.	1	1		
	154-30-11954	后罩(右) cover R.H.			1	
18	01010-51230	螺栓 bolt	8	8		
	01010-51630	螺栓 bolt			8	

第 303 图 台车架盖
 FIG. 303 TRACK FRAME COVER

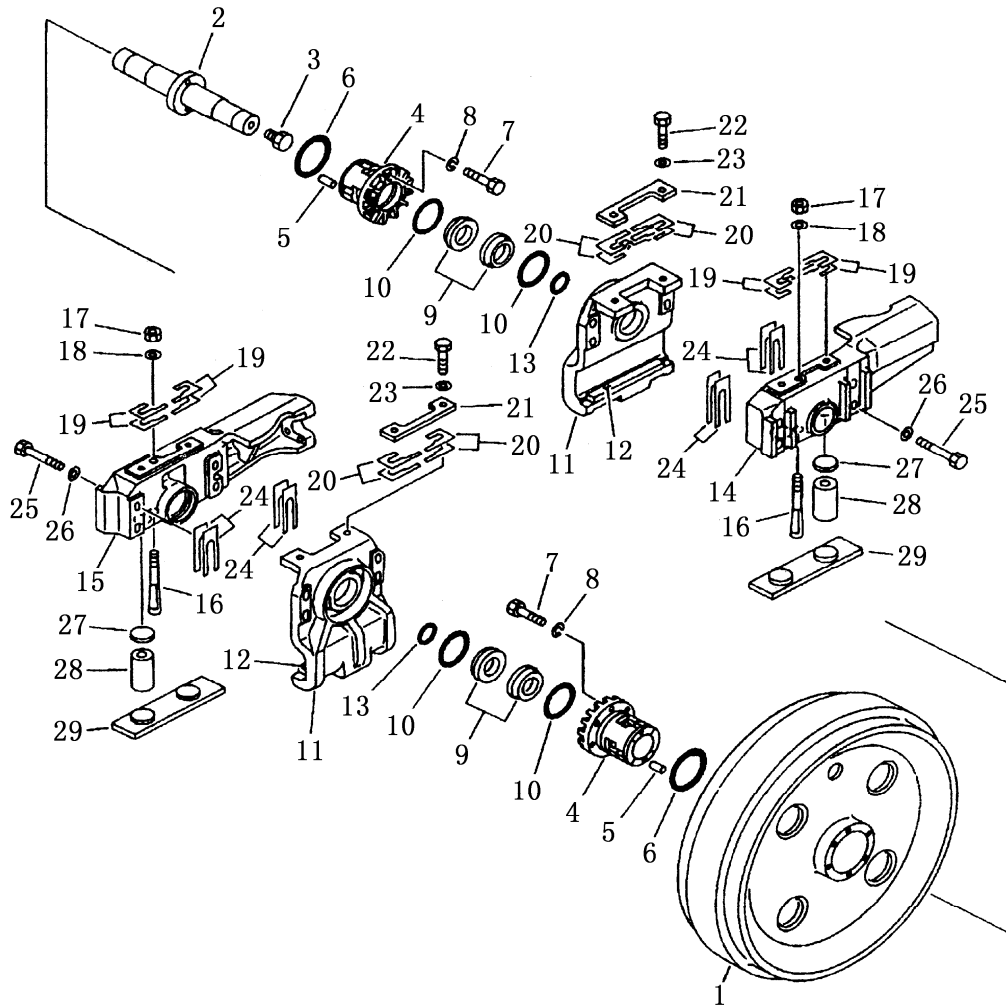


台车架盖
TRACK FRAME COVER

序号 Index No	件号 Part No.	名称 Description	数量 Q'ty		
			SD23	SD23E SD23D	SD23S SD23R
303-19	01643-31232	垫圈 washer	8	8	
	01643-31645	垫圈 washer			8
20	154-30-11383	驱动轮罩(左) cover L.H.	1	1	
	154-30-11384	驱动轮罩(左) cover L.H.			1
21	154-30-11393	驱动轮罩(右) cover R.H.	1	1	
	154-30-11394	驱动轮罩(右) cover R.H.			1
22	01010-51235	螺栓 bolt	4	4	
	01010-51635	螺栓 bolt			4
23	01643-31232	垫圈 washer	4	4	
	01643-31645	垫圈 washer			4
24	01010-51630	螺栓 bolt	4	4	4
25	01010-51635	螺栓 bolt	4	4	4
26	01643-31645	垫圈 washer	8	8	8

第 304 图
FIG. 304

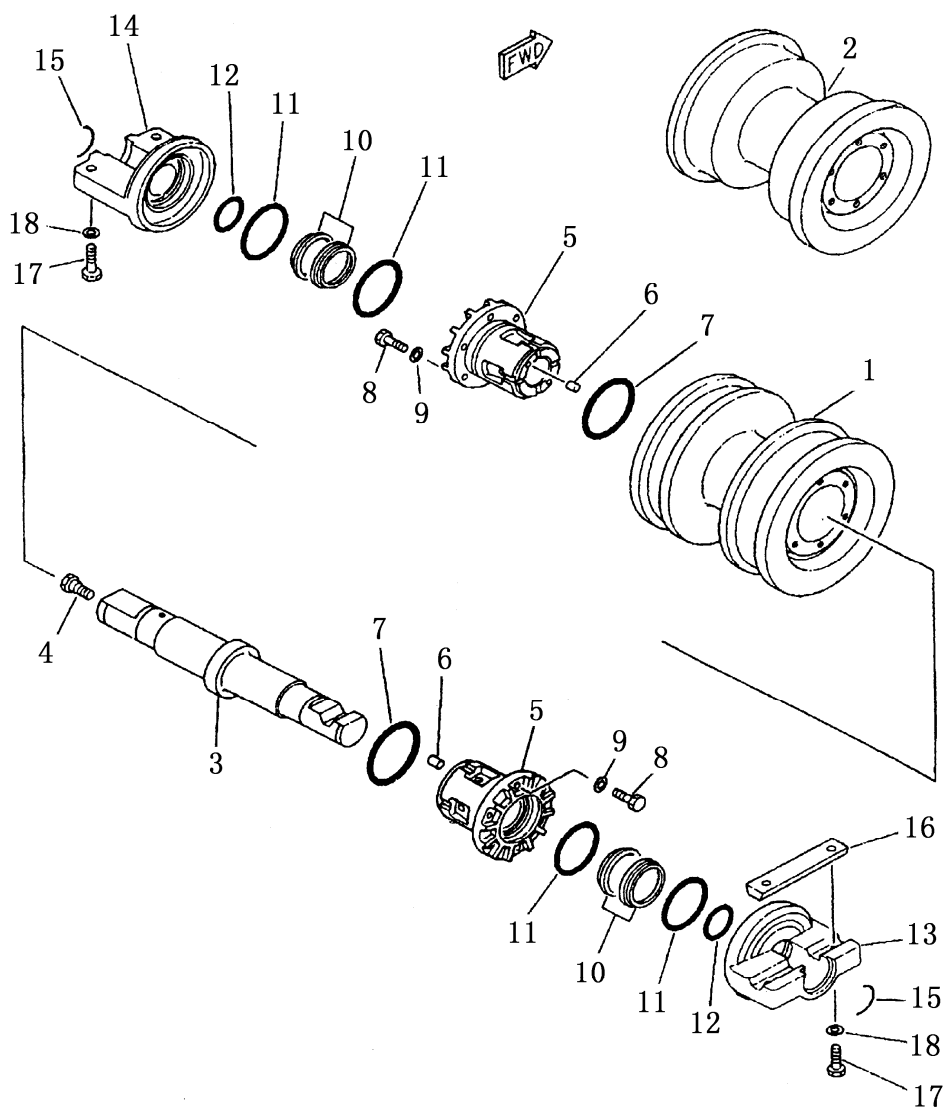
引导轮
IDLER



引导轮 IDLER

序号 Index No	件号 Part No.	名称 Description	数量 Q'ty			
			SD23	SD23E SD23D	SD23S	SD23R
	154-30-00770	引导轮总成 idler ass'y	2	2	2	2
	150-30-22118	引导轮 idler	1	1	1	1
304-1	154-30-23122	引导轮轴 shaft	1	1	1	1
2	07052-31624	螺塞 plug	1	1	1	
3	17S-40H-00003	螺塞 plug				1
	155-30-16202	轴套组件 pushing ass'y	2	2	2	2
4	155-30-16182	轴套 pushing outer	1	1	1	1
	155-30-16191	内轴套 pushing inner	1	1	1	1
	170-30-91130	销 pin dowel	2	2	2	2
5	07000-02110	O型圈 o-ring	2	2	2	2
6	01010-51235	螺栓 bolt	12	12	12	12
7	01602-21236	垫圈 washer	12	12	12	12
8	154-30-12271	浮封环 floating ring	8	8	8	8
9	150-30-12220	O型圈 O-ring	8	8	8	8
10	(154-30-43130)	导向架焊合件 guide ass'y	2	2	2	2
	154-30-43140	导向架 guide	1	1	1	1
11	154-30-43150	减磨板(焊接)plate (welded)	1	1	1	1
12	07000-02060	O型圈 O-ring	2	2	2	2
13	154-30-43110	支架(左) suppose L.H.	1	1	1	1
14	154-30-43120	支架(右) suppose R.H.	1	1	1	1
15	154-30-12650	螺栓 bolt	2	2	2	2
16	175-30-23180	螺母 nut	2	2	2	2
17	01643-31645	垫圈 washer	2	2	2	2
18	154-30-12680	调整垫 shim, adjusting	8	8	8	8
19	154-30-12690	调整垫 shim, adjusting	4	4	4	4
	154-30-12680	调整垫 shim, adjusting	16	16	16	16
20	154-30-12690	调整垫 shim, adjusting	8	8	8	8
	154-30-12670	板 plate	2	2	2	2
21	154-30-12660	螺栓 bolt	4	4	4	4
22	01643-31645	垫圈 washer	4	4	4	4
23	154-30-43160	调整垫 shim, adjusting	18	18	18	18
24	154-30-43170	调整垫 shim, adjusting	4	4	4	4
	01011-52020	螺栓 bolt	8	8	8	8
25	01643-32060	垫圈 washer	8	8	8	8
26	195-30-17960	垫板 plate	4	4	4	4
27	155-30-13230	橡胶弹簧 spring, rubber	4	4	4	4
28	175-30-24131	导板铆合件 plate guide	2	2	2	2
29	175-30-23130	座 pedestal	2	2	2	2
	170-30-13252	导板 plate guide	1	1	1	1

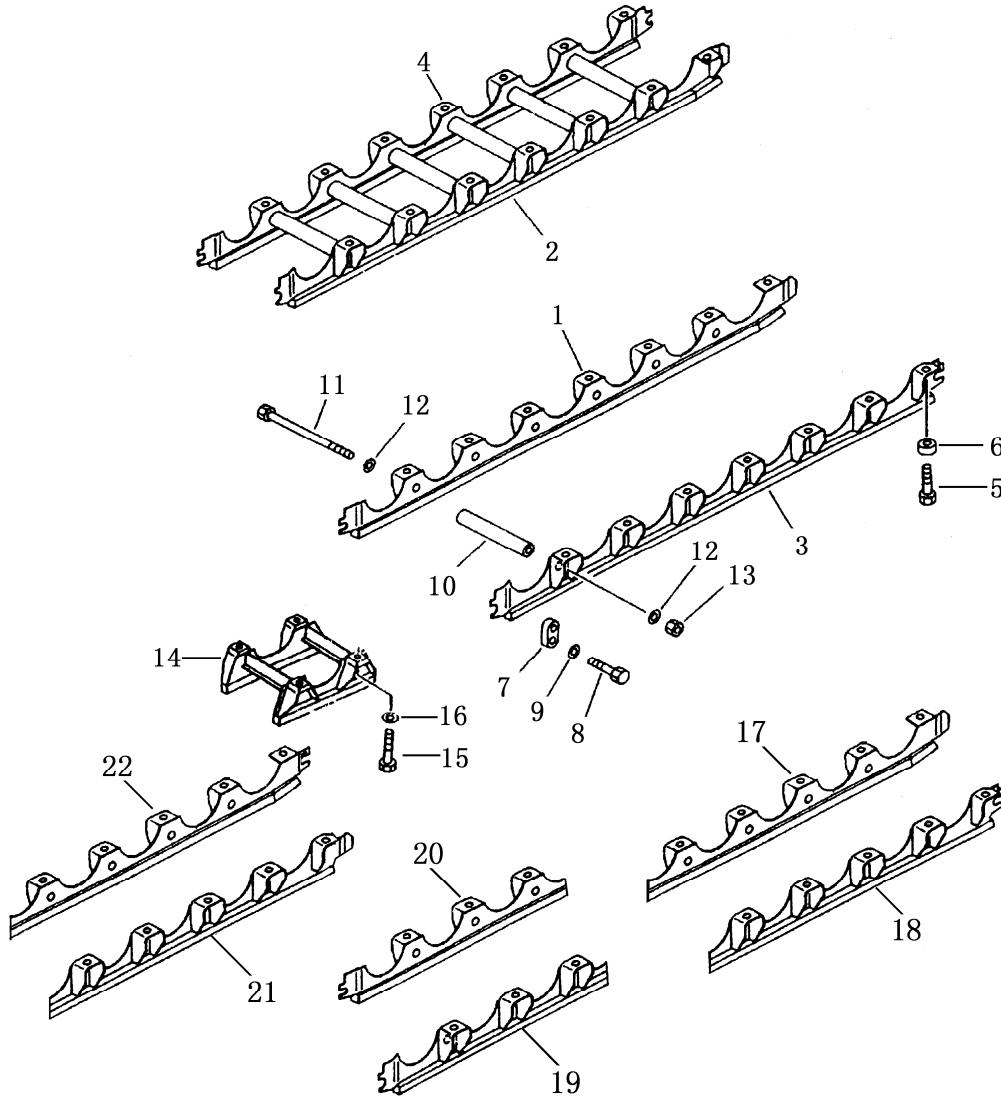
第 305 图 支重轮
FIG. 305 TRACK ROLLER



支 重 轮 TRACK ROLLER

序号 Index No	件 号 Part No.	名 称 Description	数量 Q'ty			
			SD23	SD23E SD23D	SD23S	SD23R
	155-30-00118	双边支重轮总成 track roller ass'y, double flange	4	4	6	6
	155-30-00128	单边支重轮总成 track roller ass'y, single flange	10	10	10	10
305-1	150-30-25125	双边支重轮 roller, track, double flange	4	4	6	6
2	150-30-25115	单边支重轮 roller, track, single flange	10	10	10	10
3	154-30-26131	支重轮轴 shaft	14	14	16	16
4	07052-31624	螺塞 plug	14	14	16	
	17S-40H-00003	螺塞 plug				16
5	155-30-16202	轴套组件 bushing ass'y	28	28	32	32
6	170-30-91130	销 pin	56	56	64	64
7	07000-02110	O 型圈 o-ring	28	28	32	32
8	175-30-36340	螺栓 bolt	168	168	192	192
9	01643-81232	弹簧垫圈 washer	168	168	192	192
10	154-30-12271	浮封环 floating ring	56	56	64	64
11	150-30-12220	O 型圈 O-ring	56	56	64	64
12	07000-02060	O 型圈 O-ring	28	28	32	32
13	154-30-26183	内盖 collar, inner	14	14	16	16
14	154-30-26193	外盖 collar, outer	14	14	16	16
15	154-30-26140	挡销 pin	28	28	32	32
16	155-30-16210	键 key	14	14	16	16
17	01010-62275	螺栓 bolt	56	56	64	64
18	01643-32260	弹簧垫圈 washer	56	56	64	64

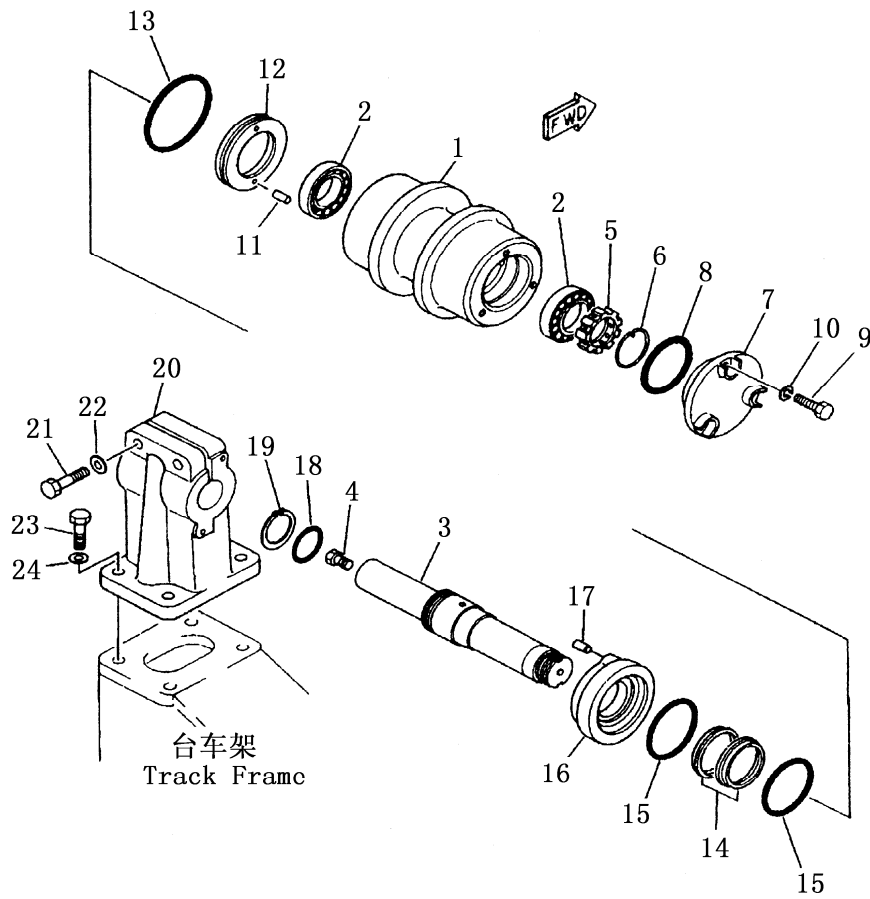
第 306 图 支重轮护板
FIG. 306 TRACK ROLLER GUARD



支重轮护板
TRACK ROLLER GUARD

序号 Index No	件号 Part No.	名称 Description	数量 Q'ty			
			SD23	SD23E SD23D	SD23S	SD23R
306-1	154-30-42130	内护板 (左) guard inner L.H.	1			
	154-30-42330	内护板 (左) guard inner L.H.		1		
2	154-30-42140	内护板 (右) guard inner R.H.	1			
	154-30-42340	内护板 (右) guard inner R.H.		1		
3	154-30-42110	外护板 (左) guard outer L.H.	1			
	154-30-42310	外护板 (左) guard outer L.H.		1		
4	154-30-42120	外护板 (右) guard outer R.H.	1			
	154-30-42320	外护板 (右) guard outer R.H.		1		
5	01010-52265	螺栓 bolt	28	28		32
6	154-30-14130	衬垫 spaces	28	28		32
7	154-30-22190	挡板 plate	6	6		6
8	01010-51840	螺栓 bolt	12	12		12
9	01643-31845	垫圈 washer	12	12		12
10	150-30-15553	管 spaces	12	12		14
11	150-30-15563	螺栓 bolt	12	12		14
12	01643-32460	垫圈 washer	24	24		28
13	01580-12419	螺母 nut	12	12		14
14	154-30-13253	挡板 plate			2	
15	01010-52265	螺栓 bolt			8	
16	01643-32260	垫圈 washer			8	
17	17H-40-02000	内护板 (左.后) guard inner L. R. H				1
18	17H-40-01000	外护板 (左.后) guard outer L. R. H				1
19	17H-40-05000	护板(前) guard, front				2
20	17H-40-06000	护板(前) guard, front				2
21	17H-40-04000	内护板 (左.后) guard inner R. L. H				1
22	17H-40-03000	外护板 (左.后) guard outer L. R. H				1

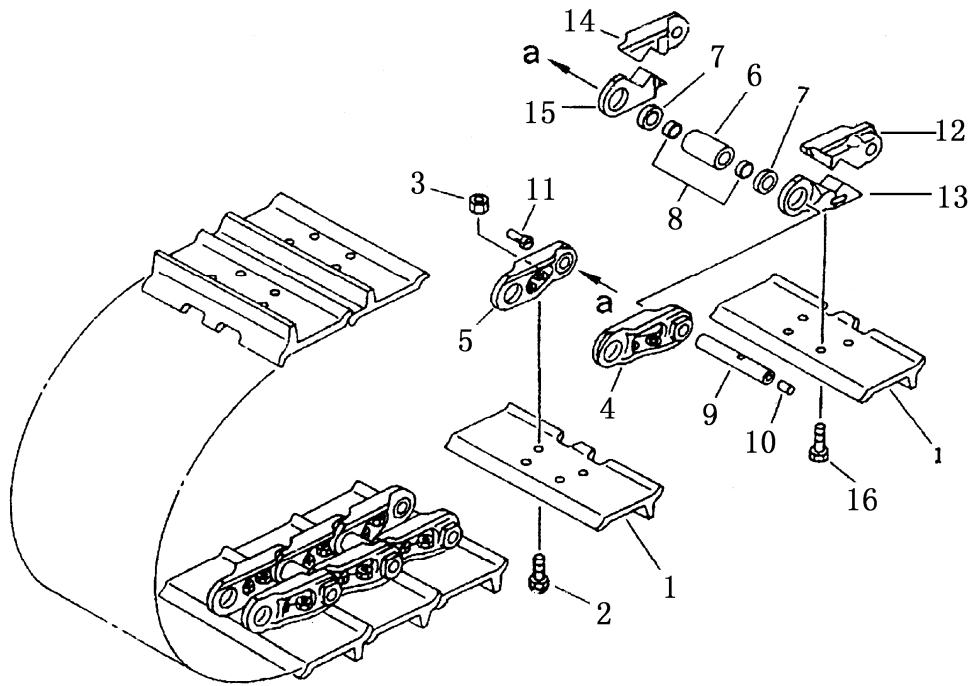
第 307 图 托 轮
FIG. 307 CARRIER ROLLER



托 轮
CARRIER ROLLER

序号 Index No	件 号 Part No.	名 称 Description	数量 Q'ty	
			SD23 SD23E SD23D SD23S	SD23R
307-1	154-30-25111	托轮 roller, carrier	4	4
2	06000-30211	滚柱轴承 bearing, roller	8	8
3	150-30-14312	托轮轴 shaft	4	4
4	07052-31624	螺塞 plug	4	
	17S-40H-00003	螺塞 plug		4
5	150-30-14420	锁帽 nut	4	4
6	150-30-14430	卡环 ring, snap	4	4
7	154-30-25121	托轮盖 cover	4	4
8	07000-02105	O 型圈 o-ring	4	4
9	01010-51230	螺栓 bolt	12	12
10	01602-21236	垫圈 washer	12	12
11	04020-00616	定位销 pin, dowel	8	8
12	154-30-25220	浮封座 seal	4	4
13	07000-02125	O 型圈 O-ring	4	4
14	154-30-12271	浮封环 floating ring	8	8
15	154-30-12220	O 型圈 O-ring	8	8
16	154-30-25230	浮封座 collar	4	4
17	155-30-15150	销 pin, dowel	8	8
18	07000-03062	O 型圈 O-ring	4	4
19	150-30-14320	挡圈 pin, snap	4	4
20	154-30-11292	托轮支架 support	4	4
21	01010-82080	螺栓 bolt	8	8
22	01643-32060	垫圈 washer	8	8
23	01010-82060	螺栓 bolt	16	16
24	01643-32060	垫圈 washer	16	16

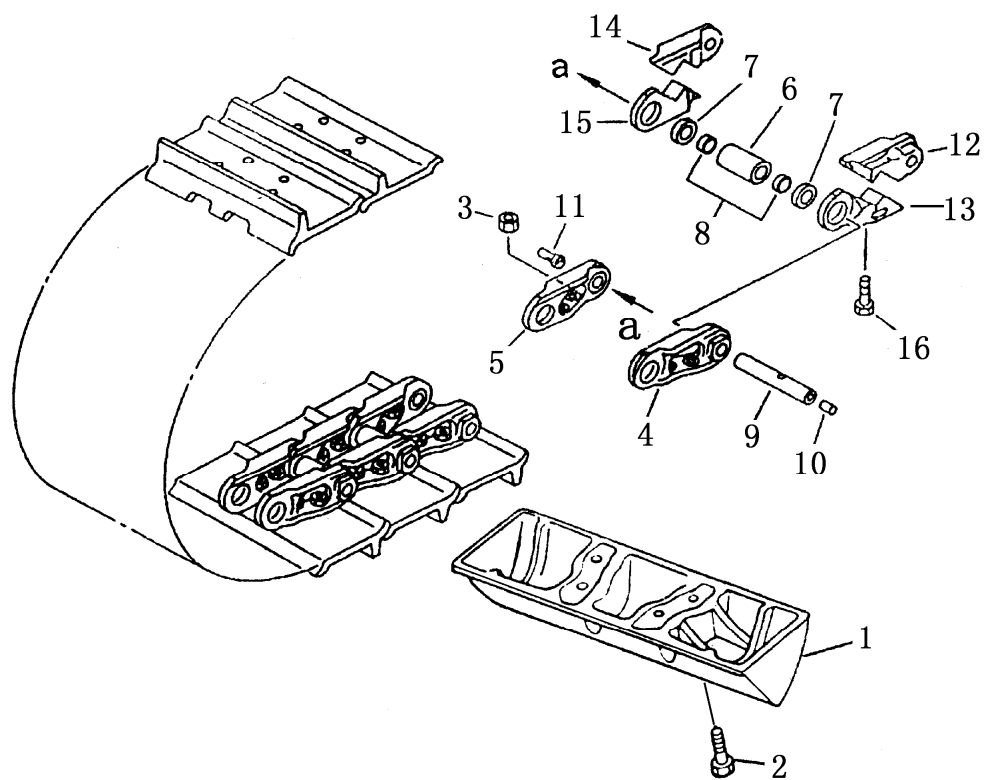
第 308 图 履带 (润滑型)
FIG. 308 TRACK SHOE (LUBRICATE TYPE)



履带（润滑型）
TRACK SHOE（LUBRICATE TYPE）

序号 Index No	件号 Part No.	名称 Description	数量 Q'ty		
			SD23	SD23E	
308-1	216RB-39156	履带总成（宽 560mm） track shoe ass'y(560mm wide)	2		
	216RB-39161	履带总成（宽 610mm） track shoe ass'y(610mm wide)	2		
	216RB-39166	履带总成（宽 660mm） track shoe ass'y(660mm wide)	2		
	216RB-41156	履带总成（宽 560mm） track shoe ass'y(560mm wide)		2	
	216RB-41161	履带总成（宽 610mm） track shoe ass'y(610mm wide)		2	
	216RB-41166	履带总成（宽 660mm） track shoe ass'y(660mm wide)		2	
	216RA-00156	履带板（宽 560mm） shoe track	38	40	
	216RA-01156	主履带板（宽 560mm） shoe track	1	1	
	216RA-00161	履带板（宽 610 mm） shoe track	38	40	
	216RA-01161	主履带板（宽 610 mm） shoe track	1	1	
	216RA-00166	履带板（宽 660 mm） shoe track	38	40	
	216RA-01166	主履带板（宽 660 mm） shoe track	1	1	
	2	216RA-00062	履带螺栓 bolt, shoe	152	160
	3	216RA-00061	螺母 nut, shoe	152	160
		216RB-39000	链轨总成 track link ass'y	2	
		216RB-41000	链轨总成 track link ass'y		2
4	216RA-00011	链轨节（左） link, track, L.H.	38	40	
5	216RA-00021	链轨节（右） link, track, R.H.	38	40	
6	216RA-00031	销套 bushing	39	41	
7	216RA-00051	U型密封圈 U-packing	78	82	
	216RA-00052	集索圈 ring	78	82	
8	216RA-00053	止推环 ring, thrust	78	82	
9	216RA-00041	轴销 pin, shaft	39	41	
10	216RA-00054	橡胶挡块 rubber block	39	41	
11	216RA-00055	端塞 plug	39	41	
12	216RB-00012	主链轨节，左，轴销端 link master, L.H. pin side	1	1	
13	216RB-00013	主链轨节，左，销套端 link master, L.H. bushing side	1	1	
14	216RB-00022	主链轨节，右，轴销端 link master, R.H. pin side	1	1	
15	216RB-00023	主链轨节，右，销套端 link master, R.H. bushing side	1	1	
16	216RA-00063	主螺栓 bolt, master	4	4	

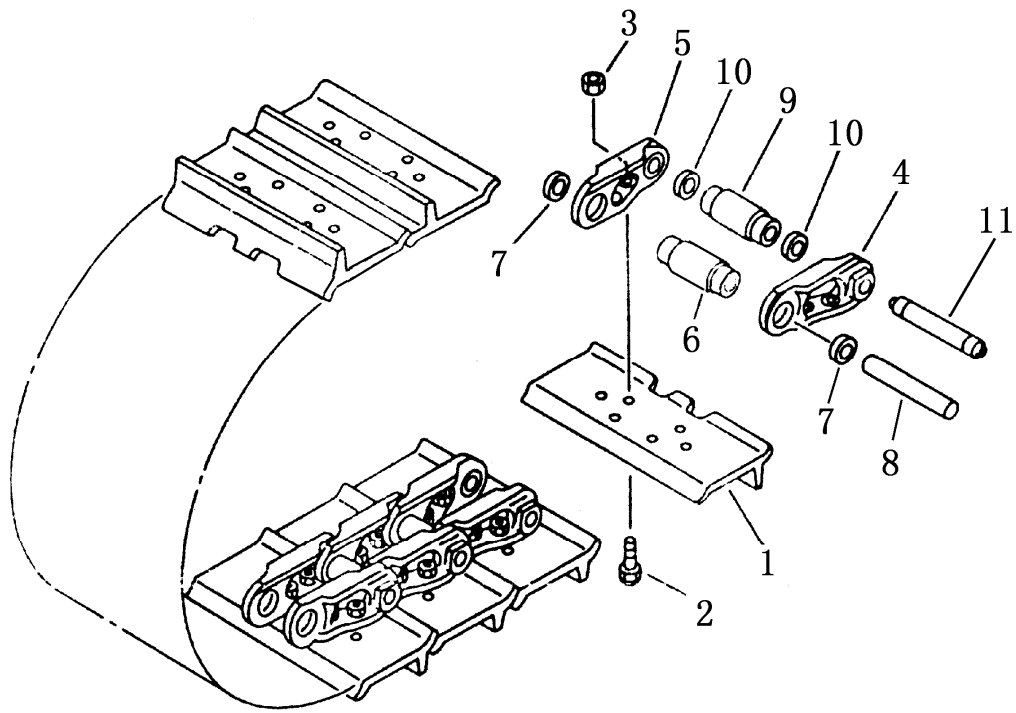
第 309 图 履带（润滑型）（SD23S 用）
FIG. 309 TRACK SHOE (LUBRICATE TYPE)



履带（润滑型）（SD23S 用）
TRACK SHOE（LUBRICATE TYPE）

序号 Index No	件号 Part No.	名称 Description	数量 Q'ty
	216RA-45491	履带总成（三角型） track shoe ass'y	1
309-1	216RA-00491	履带板（三角型） shoe track	90
2	216RA-00063	履带螺栓（三角型） bolt, shoe	344
	216RA-45000	链轨总成（三角型） track link ass'y	1
3	216RA-00061	螺母 nut, shoe	344
4	216RA-00011	链轨节（左） link, track, L. H.	86
5	216RA-00021	链轨节（右） link, track, R. H.	86
6	216RA-00031	销套 bushing	90
7	216RG-00051	密封圈 seal	180
	216RA-00053	环 ring	180
8	216MA-00041	隔片 spacer	180
9	216RA-00041	轴销 pin	90
10	216RA-00054	销堵（大端） plug, large	90
11	216RA-00055	销堵（小端） plug, small	90
12	216RB-00022	主链轨节，左，轴销端 link master, L. H. pin side	4
13	216RB-00023	主链轨节，左，销套端 link master, L. H. bushing side	4
14	216RB-00022	主链轨节，右，轴销端 link master, R L. H. pin side	4
15	216RB-00023	主链轨节，右，销套端 link master, R. H. bushing side	4
16	216RA-00063	主螺栓（三角型） bolt, master	16

第 310 图 履 带 (主销型)
FIG. 310 TRACK SHOE (MASTER PIN TYPE)

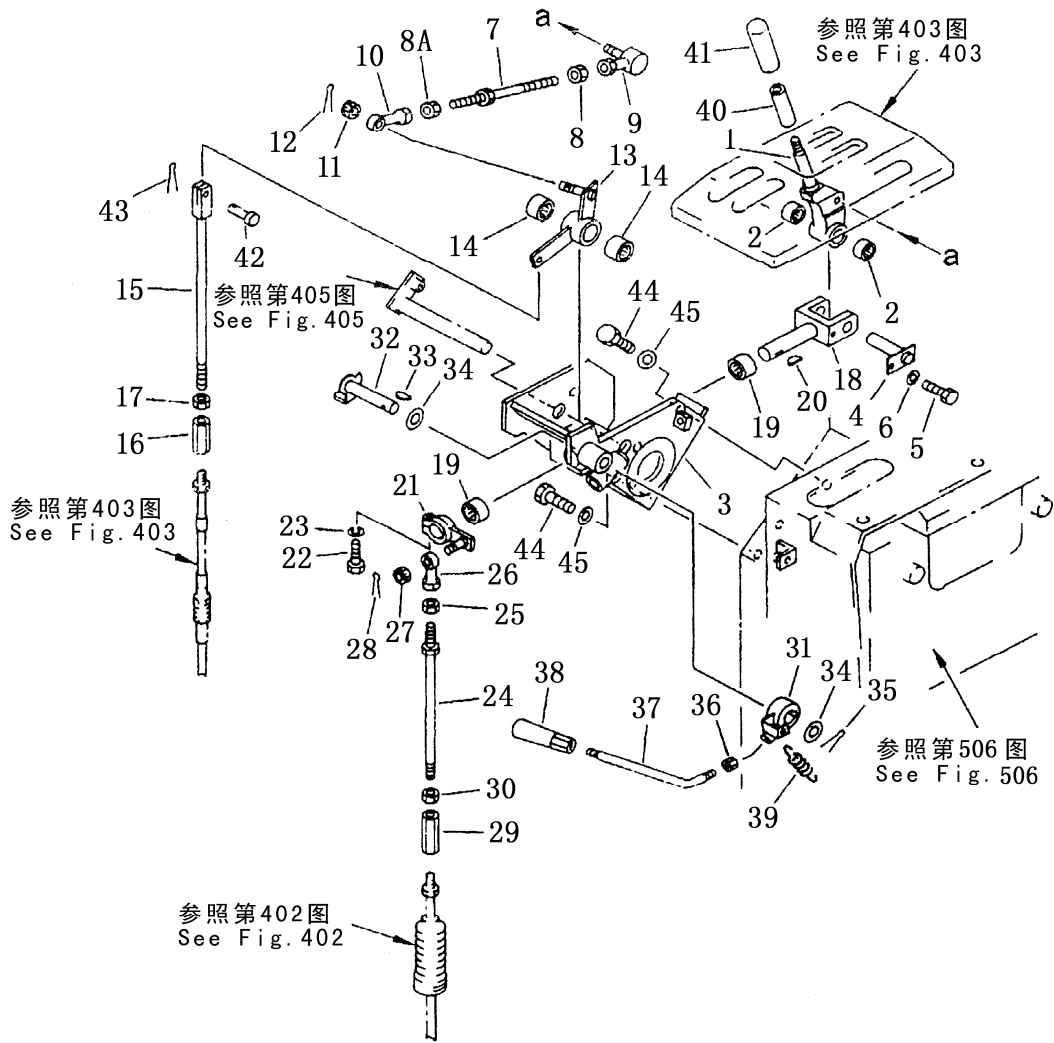


履带（主销型）
TRACK SHOE（MASTER PIN TYPE）

序号 Index No	件号 Part No.	名称 Description	数量 Q'ty	
			SD23	SD23E SD23D
310-1	216MA-39156	履带总成（宽 560mm） track shoe ass'y(560mm wide)	2	
	216MA-39161	履带总成（宽 610mm） track shoe ass'y(610mm wide)	2	
	216MA-39166	履带总成（宽 660mm） track shoe ass'y(660mm wide)	2	
	216MA-41156	履带总成（宽 560mm） track shoe ass'y(560mm wide)		2
	216MA-41161	履带总成（宽 610mm） track shoe ass'y(610mm wide)		2
	216MA-41166	履带总成（宽 660mm） track shoe ass'y(660mm wide)		2
	216MA-00156	履带板（宽 560mm） shoe track(560mm wide)	39	41
	216MA-00161	履带板（宽 610 mm） shoe track(610mm wide)	39	41
	216MA-00166	履带板（宽 660 mm） shoe track(660mm wide)	39	41
2	216MA-00062	履带螺栓 bolt ,shoe	156	164
3	216MA-00061	履带螺母 nut ,shoe	156	164
	216MA-39000	链轨总成 track link ass'y	2	
	216MA-41000	链轨总成 track link ass'y		2
4	216MA-00011	左链轨节 link track L.H.	39	41
5	216MA-00021	右链轨节 link track R.H.	39	41
6	216MA-00031	销套 pin bushing	38	40
7	216MG-00051	密封圈 seal ring	76	80
8	216MA-00041	轴销 pin, shaft	38	40
9	216MA-00032	主销套 master pin bushing	1	1
10	216MA-00052	主密封圈 master seal ring	2	2
11	216MA-00042	主销 master bushing	1	1

底盘控制系统
CHASSIS CONTROL SYSTEM

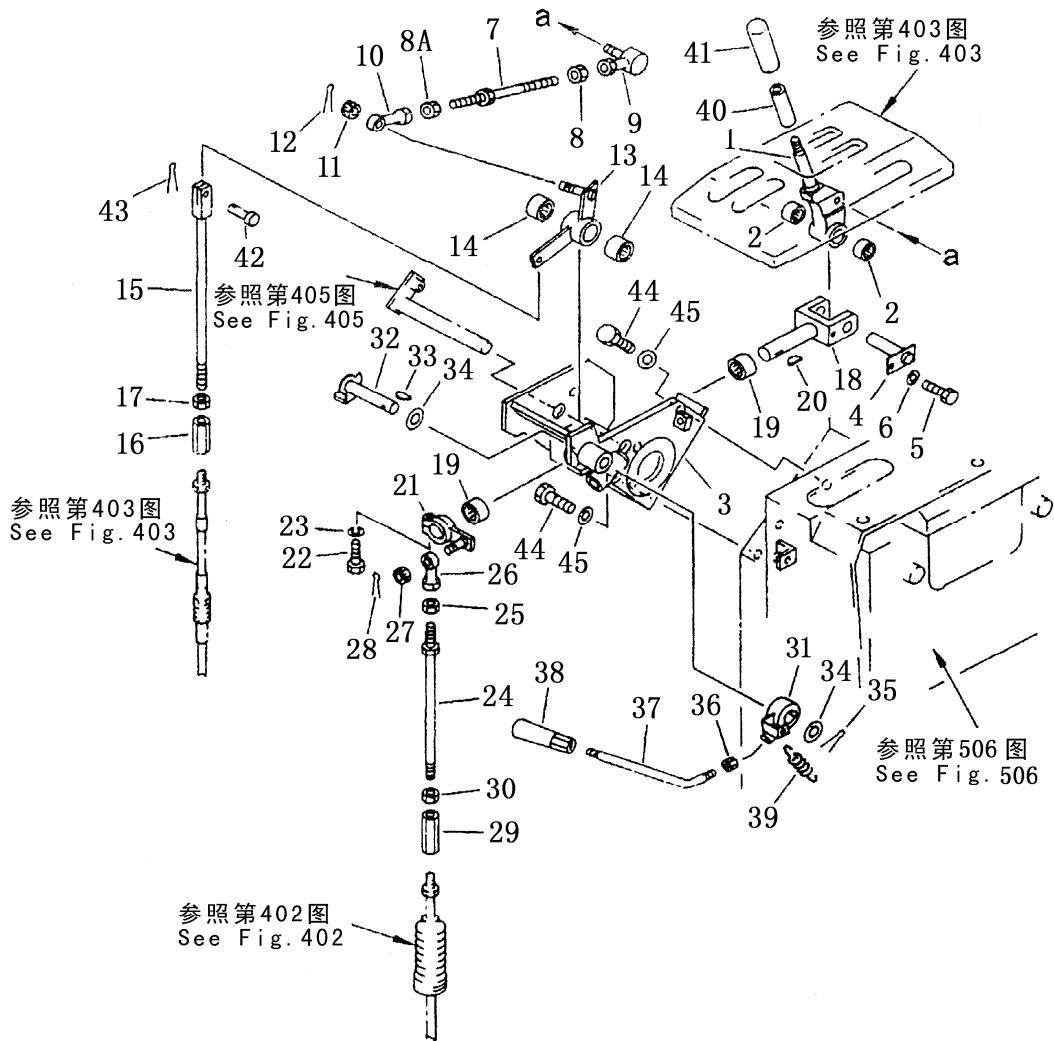
第401图 变速控制杆
 FIG. 401 TRANSMISSION CONTROL LEVER



变速控制杆
TRANSMISSION CONTROL LEVER

序号 Index No.	件号 Part No.	名称 Description	数量 Q'ty
401-1	195-43-43150	摇臂 lever	1
2	195-61-34120	轴承 bearing	2
3	154-43-43130	支架 bracket	1
4	195-43-43170	销 pin	1
5	01010-50616	螺栓 bolt	1
6	01643-30623	垫圈 washer	1
7	113-43-11530	螺杆 rod	1
8	01580-10806	螺母 nut	1
8A	01508-40805	螺母 nut	1
9	04256-00816	球接头 joint ball	1
10	04250-90847	关节轴承 end bearing	1
11	01590-10809	螺母 nut	1
12	04050-12015	开口销 pin cotter	1
13	154-43-43150	摇臂 lever	1
14	195-43-43190	轴承 bearing	2
15	195-43-41580	杆 rod	1
16	144-43-51130	接头 joint	1
17	01508-20805	螺母 nut	1
18	154-43-43210	叉口板 yoke	1
19	195-43-43190	轴承 bearing	2
20	04010-00519	半圆键 key	1
21	154-43-43220	杆 lever	1
22	01010-50830	螺栓 bolt	1
23	01602-20825	弹簧垫圈 washer spring	1
24	04248-31028	杆 rod	1
25	01582-11008	螺栓 bolt	1
26	04250-81056	关节轴承 end bearing	1
27	01593-11008	螺母 nut	1
28	04050-12018	开口销 pin cotter	1
29	178-43-12180	调整螺丝 buckle turn	1
30	01508-21006	螺母 nut	1
31	195-43-43241	摇臂 lever	1
32	154-43-43260	销 pin	1
33	04010-00519	半圆键 key	1
34	01640-21626	垫圈 washer	2
35	04050-14025	开口销 pin cotter	1

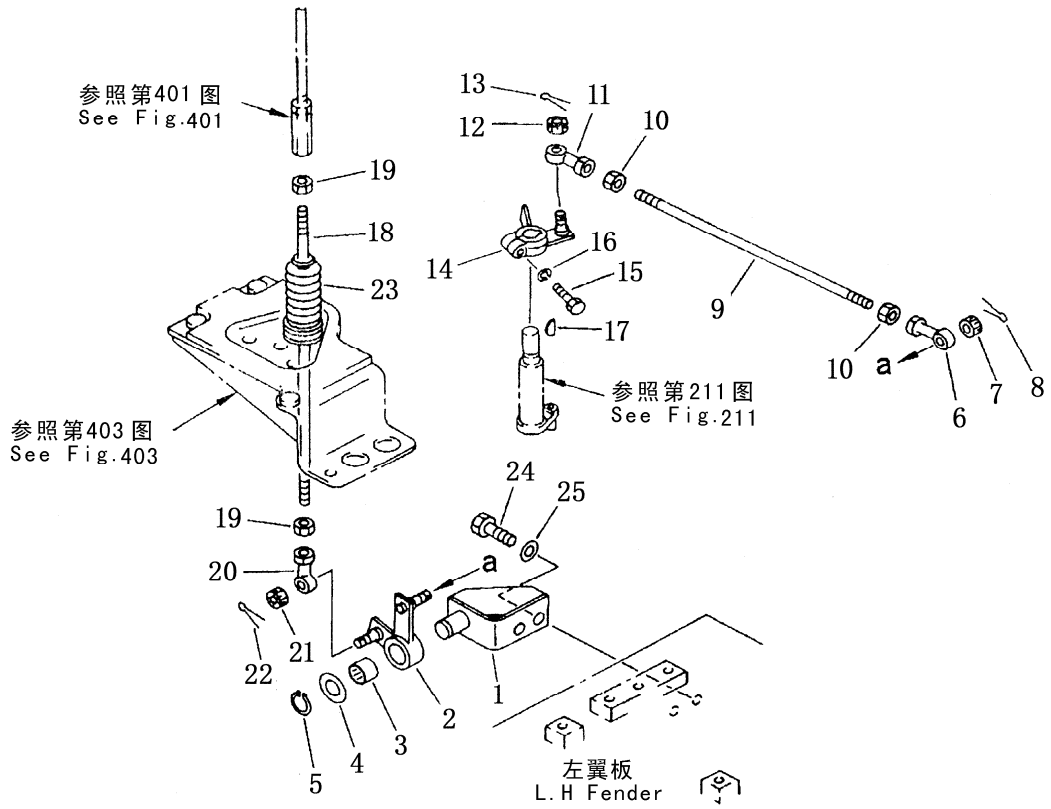
第401图 变速控制杆
 FIG. 401 TRANSMISSION CONTROL LEVER



变速控制杆
TRANSMISSION CONTROL LEVER

序号 Index No.	件号 Part No.	名称 Description	数量 Q'ty
401-36	195-43-43370	螺母 nut	1
37	195-43-43360	杆 lever	1
38	09305-00800	手柄 knob	1
39	195-43-43260	弹簧 spring	1
40	09361-01460	衬套 bushing	1
41	09304-01240	手柄 knob	1
42	04205-10822	销轴 pin	1
43	04050-12015	开口销 pin cotter	1
44	01010-51225	螺栓 bolt	4
45	01643-31232	垫圈 washer	4

第 402 图 变速控制连杆 (1/3)
 FIG. 402 TRANSMISSION CONTROL LINKAGE

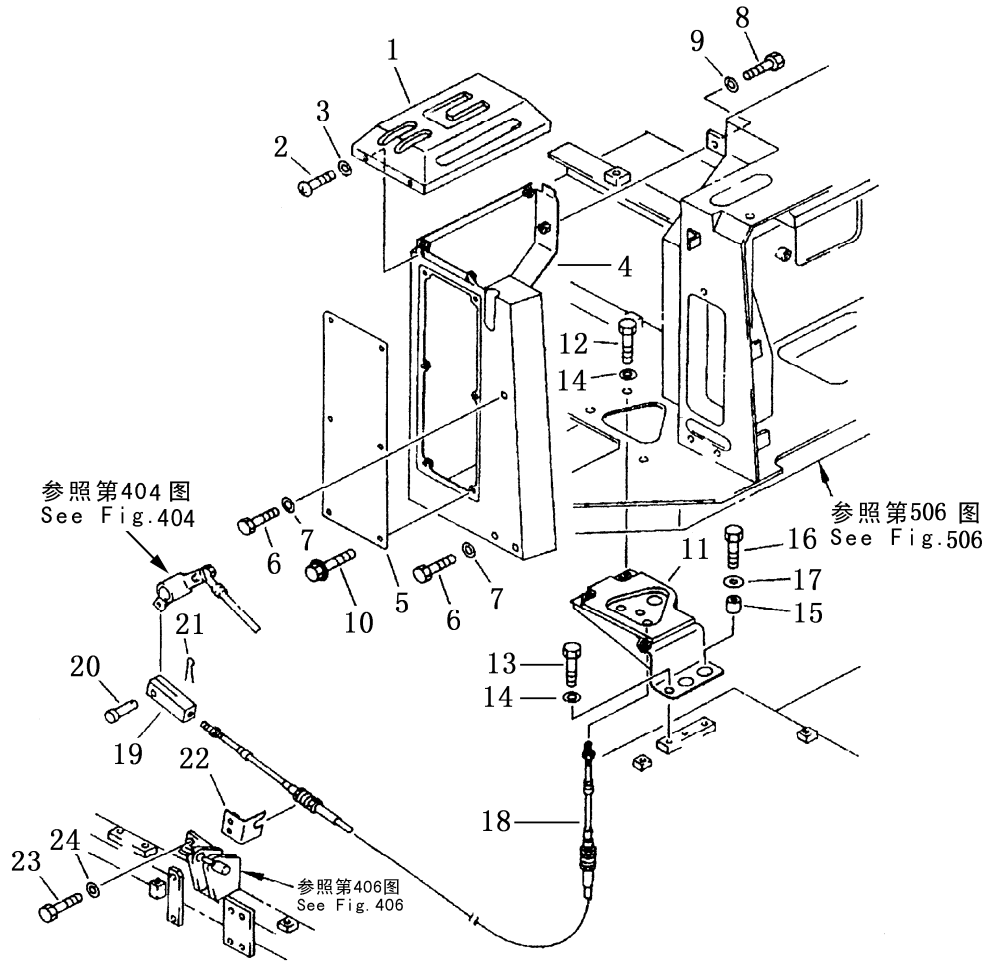


变速控制连杆 (1/3)

TRANSMISSION CONTROL LINKAGE

序号 Index No.	件号 Part No.	名称 Description	数量 Q'ty
402-1	154-43-43230	支座 bracket	1
2	154-43-43240	摇臂 lever	1
3	195-43-43190	轴承 bearing	1
4	01640-22032	垫圈 washer	1
5	04064-02012	挡圈 ring snap	1
6	04250-81056	关节轴承 end bearing	1
7	01593-11008	螺母 nut	1
8	04050-12018	开口销 pin cotter	1
9	04245-41035	杆 rod	1
10	01582-11008	螺母 nut	2
11	04250-81056	关节轴承 end bearing	1
12	01593-11008	螺母 nut	1
13	04050-12018	开口销 pin cotter	1
14	154-43-43250	摇臂 lever	1
15	01010-50830	螺栓 bolt	1
16	01602-20825	弹簧垫圈 washer spring	1
17	04010-00516	半圆键 key	1
18	04245-41036	杆 rod	1
19	01582-11008	螺母 nut	2
20	04250-81056	关节轴承 end bearing	1
21	01593-11008	螺母 nut	1
22	04050-12018	开口销 pin cotter	1
23	195-43-42280	波纹管 crinkle pipe	1
24	01010-51225	螺栓 bolt	2
25	01643-31232	垫圈 washer	2

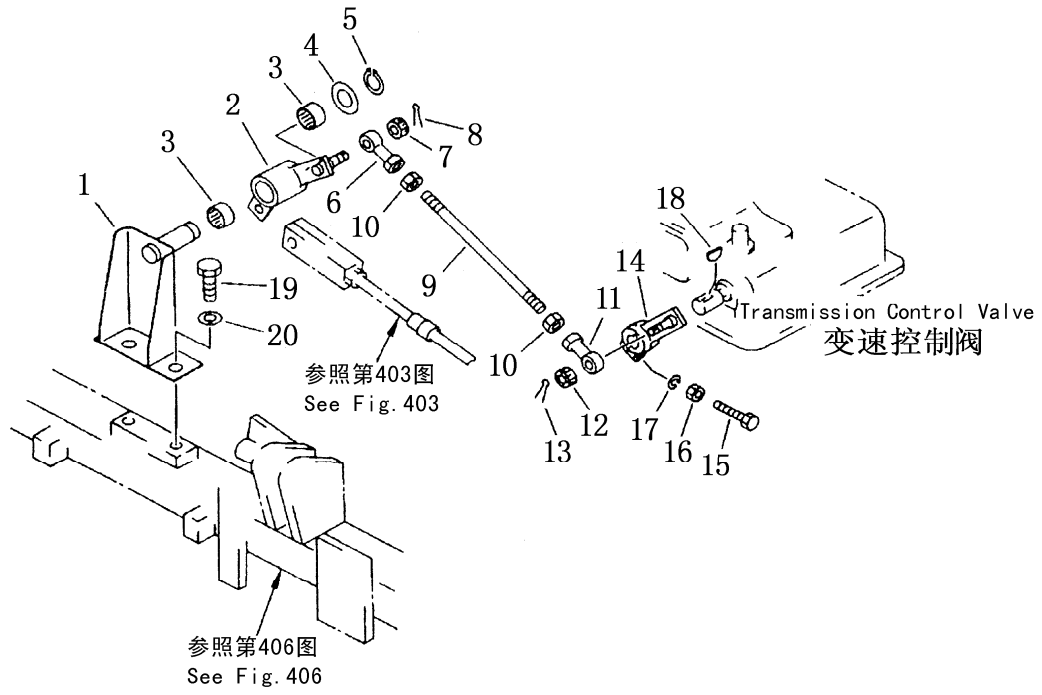
第403图 变速控制连杆 (2/3)
FIG. 403 TRANSMISSION CONTROL LINKAGE



变速控制连杆 (2/3)
TRANSMISSION CONTROL LINKAGE

序号 Index No.	件号 Part No.	名称 Description	数量 Q'ty
403-1	154-43-43110	导座 guide	1
2	01220-40816	螺钉 screw	4
3	01643-30823	垫圈 washer	4
4	154-43-43310	盖板 cover	1
5	154-43-43270	盖板 cover	1
6	01010-51290	螺栓 bolt	3
7	01643-31232	垫圈 washer	3
8	01010-51225	螺栓 bolt	2
9	01643-31232	垫圈 washer	2
10	195-54-26220	螺栓 bolt	6
11	154-43-43140	支座 bracket	1
12	01010-51230	螺栓 bolt	3
13	01010-51220	螺栓 bolt	1
14	01643-31232	垫圈 washer	4
15	175-61-14490	隔套 spacer	2
16	01010-51240	螺栓 bolt	2
17	175-54-34170	垫圈 washer	2
18	154-43-43160	软轴 cable	1
19	04211-20844	叉口板 yoke	1
20	04205-10822	销轴 pin	1
21	04050-12015	开口销 pin cotter	1
22	154-43-41270	板 plate	1
23	01010-51030	螺栓 bolt	2
24	01643-31032	垫圈 washer	2

第 404 图 变速控制连杆 (3/3)
 FIG.404 TRANSMISSION CONTROL LINKAGE

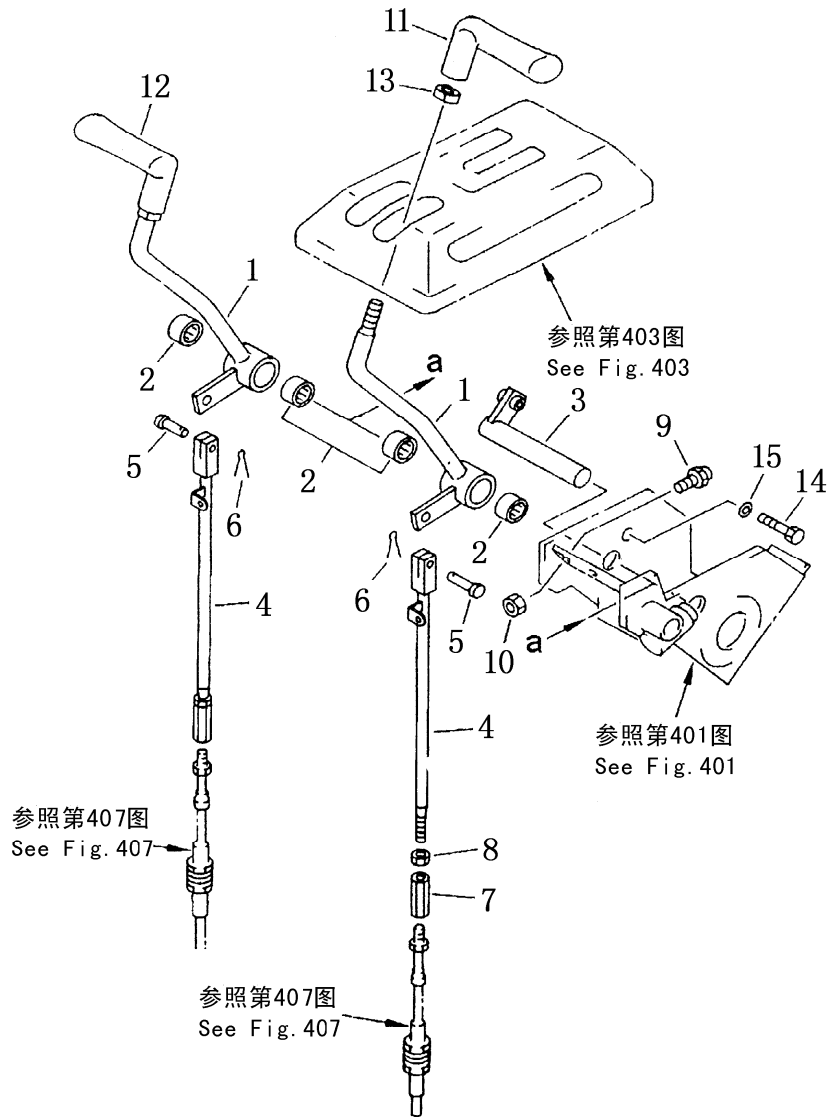


变速控制连杆 (3/3)

TRANSMISSION CONTROL LINKAGE

序号 Index No.	件号 Part No.	名称 Description	数量 Q'ty
404-1	154-43-43170	支架 bracket	1
2	154-43-43180	摇臂 lever	1
3	195-43-43190	轴承 bearing	2
4	01640-22032	垫圈 washer	1
5	04064-02012	挡圈 ring snap	1
6	04250-81056	关节轴承 end rod	1
7	01593-11008	螺母 nut	1
8	04050-12018	开口销 pin cotter	1
9	04245-41023	杆 rod	1
10	01582-11008	螺母 nut	2
11	04250-81056	关节轴承 end rod	1
12	01593-11008	螺母 nut	1
13	04050-12018	开口销 pin cotter	1
14	154-43-43190	摇臂 lever	1
15	01016-50850	螺栓 bolt	1
16	01580-10806	螺母 nut	1
17	01602-20825	弹簧垫圈 washer spring	1
18	04010-00516	半圆键 key	1
19	01010-51225	螺栓 bolt	2
20	01643-31232	垫圈 washer	2

第 405 图 转向控制杆
 FIG. 405 STEERING CONTROL LEVER

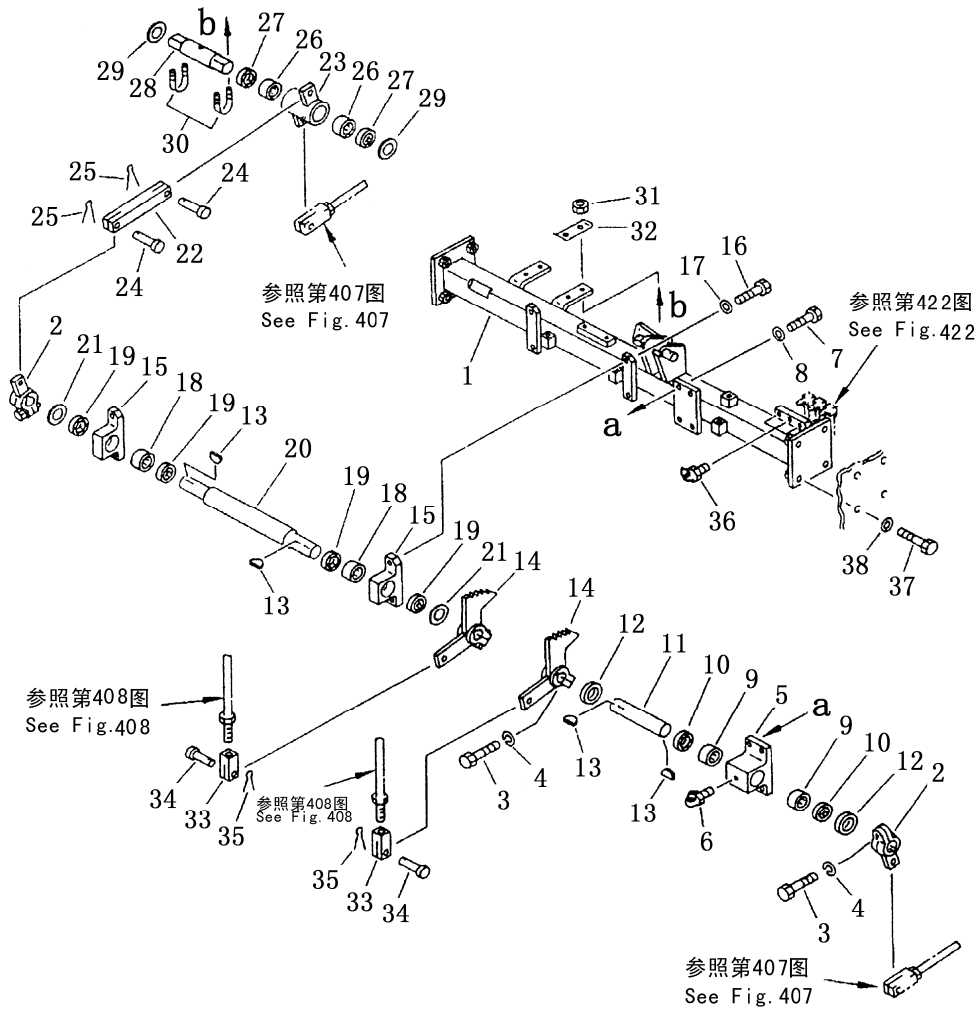


转向控制杆

STEERING CONTROL LEVER

序号 Index No.	件号 Part No.	名称 Description	数量 Q'ty
405-1	154-43-42110	摇臂 (左) lever l. h.	1
	154-43-42170	摇臂 (右) lever r. h.	1
2	195-43-43190	轴承 bearing	4
3	17Y-26-04000	轴 shaft	1
4	154-43-42160	杆 rod	2
5	04205-10822	销轴 pin	2
6	04050-12015	开口销 pin cotter	2
7	144-43-51130	接头 joint	2
8	01508-20805	螺母 nut	2
9	195-43-41360	缓冲器 bumper	2
10	01583-11006	螺母 nut	2
11	195-43-41560	手柄 (左) knob l. h.	1
12	195-43-41570	手柄 (右) knob r. h.	1
13	19M-43-11170	螺母 nut	2
14	01010-50816	螺栓 bolt	1
15	01643-30823	垫圈 washer	1

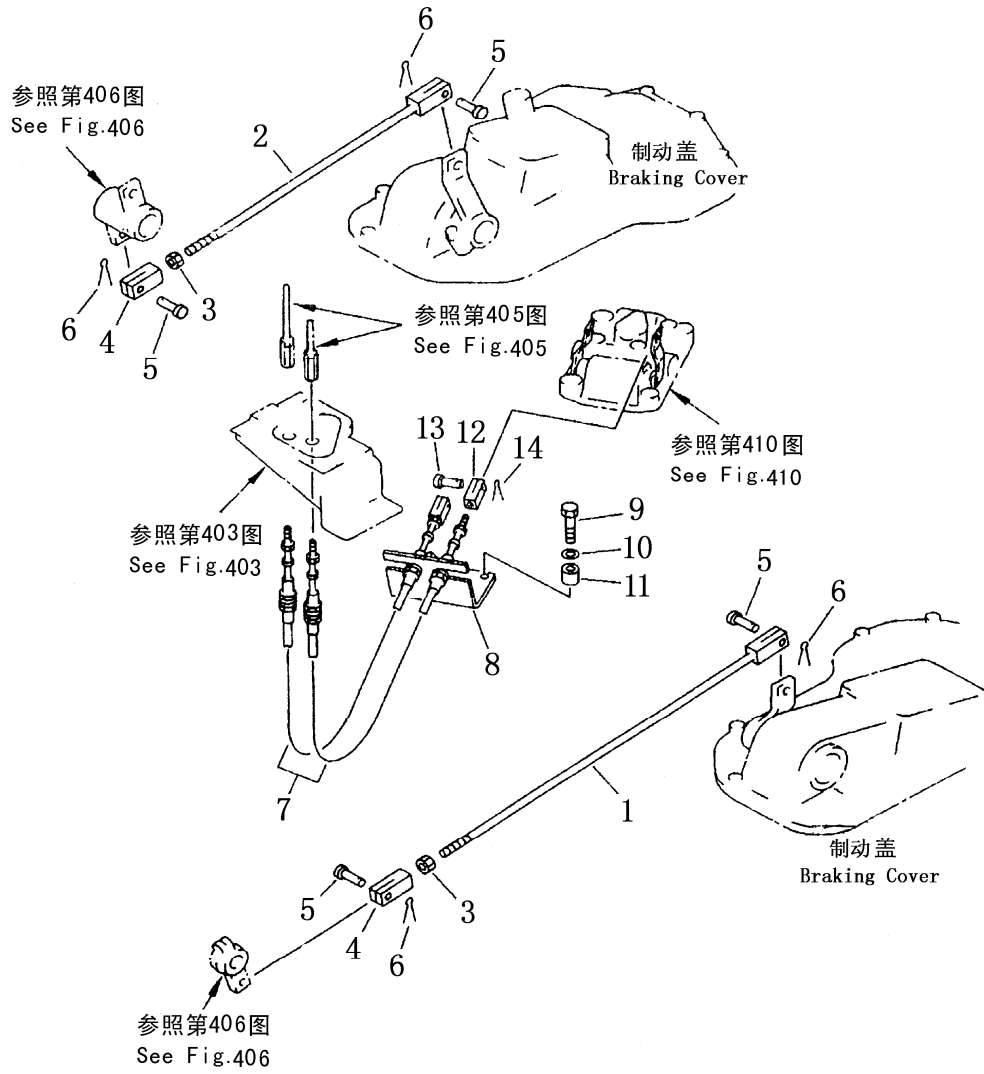
第406图 转向制动连杆(1/2)
 FIG. 406 STEERING AND BRAKE LINKAGE



转向制动连杆 (1/2)
STEERING AND BRAKE LINKAGE

序号 Index No.	件号 Part No.	名称 Description	数量 Q'ty
406-1	154-43-41251	支架 bracket	1
2	154-43-15581	摇臂 lever	2
3	01010-51245	螺栓 bolt	4
4	01602-21236	弹簧垫圈 washer spring	4
5	154-43-41170	支架 bracket	1
6	07021-01060	油杯 fitting grease	1
7	01010-51230	螺栓 bolt	4
8	01643-31232	垫圈 washer	4
9	06120-03520	滚针轴承 bearing needle	2
10	06122-03504	防尘圈 seal bearing	2
11	154-43-41180	轴 shaft	1
12	195-43-24430	隔垫 spacer	2
13	04010-01032	半圆键 key	4
14	154-43-41160	摇臂 lever	2
15	154-43-41190	支架 bracket	2
16	01010-51230	螺栓 bolt	4
17	01643-31232	垫圈 washer	4
18	06120-03520	滚针轴承 bearing needle	2
19	06122-03504	防尘圈 seal bearing	4
20	154-43-41210	轴 shaft	1
21	154-44-11650	隔垫 spacer	2
22	154-43-41220	叉头 yoke	1
23	154-43-41230	摇臂 lever	1
24	04205-11438	销轴 pin	2
25	04050-14022	开口销 pin cotter	2
26	06120-03520	滚针轴承 bearing needle	2
27	06122-03504	防尘圈 seal bearing	2
28	154-43-41240	轴 shaft	1
29	154-44-11650	隔垫 spacer	2
30	07283-23442	u形管夹 clip	2
31	01582-11008	螺母 nut	4
32	154-43-15480	锁片 lock	2
33	04220-21456	叉口板 yoke	2
34	04205-11438	销轴 pin	2
35	04050-14028	开口销 pin cotter	2
36	07021-01060	油杯 fitting grease	3
37	01010-51640	螺栓 bolt	8
38	01643-31645	垫圈 washer	8

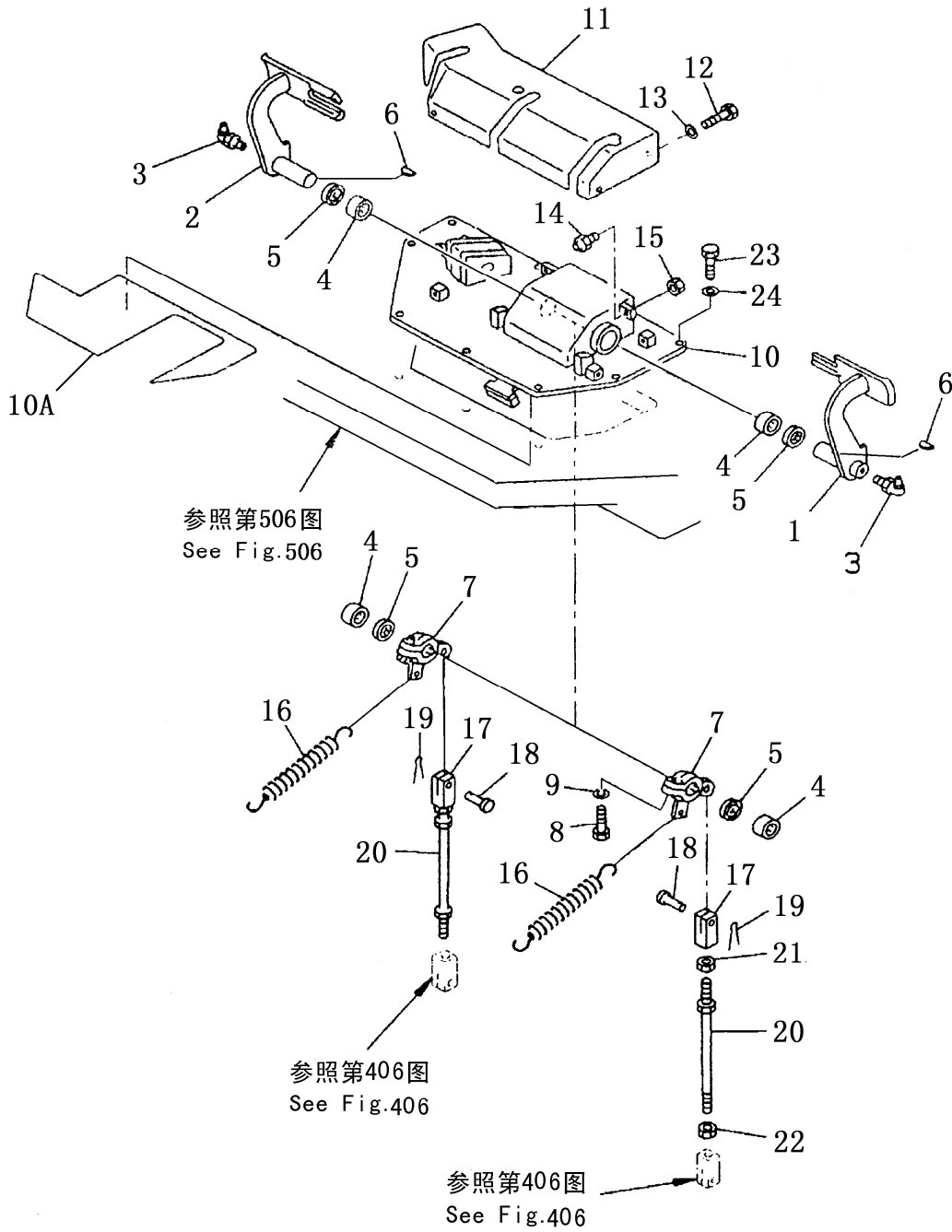
第407图 转向制动连杆(2/2)
 FIG. 407 STEERING AND BRAKE LINKAGE



转向制动连杆 (2/2)
STEERING AND BRAKE LINKAGE

序号 Index No.	件号 Part No.	名称 Description	数量 Q'ty
407-1	04244-41473	杆 rod	1
2	04244-41456	杆 rod	1
3	01582-11411	螺母 nut	2
4	04210-21456	叉口板 yoke	2
5	04205-11438	销轴 pin	4
6	04050-14022	开口销 pin cotter	4
7	154-43-42130	软轴 cable	2
8	154-43-42140	支座 bracket	1
9	01010-51265	螺栓 bolt	2
10	01643-31232	垫圈 washer	2
11	195-33-11220	衬套 spacer	2
12	195-43-41410	叉口板 yoke	2
13	04205-11235	销轴 pin	2
14	04050-13022	开口销 pin cotter	2

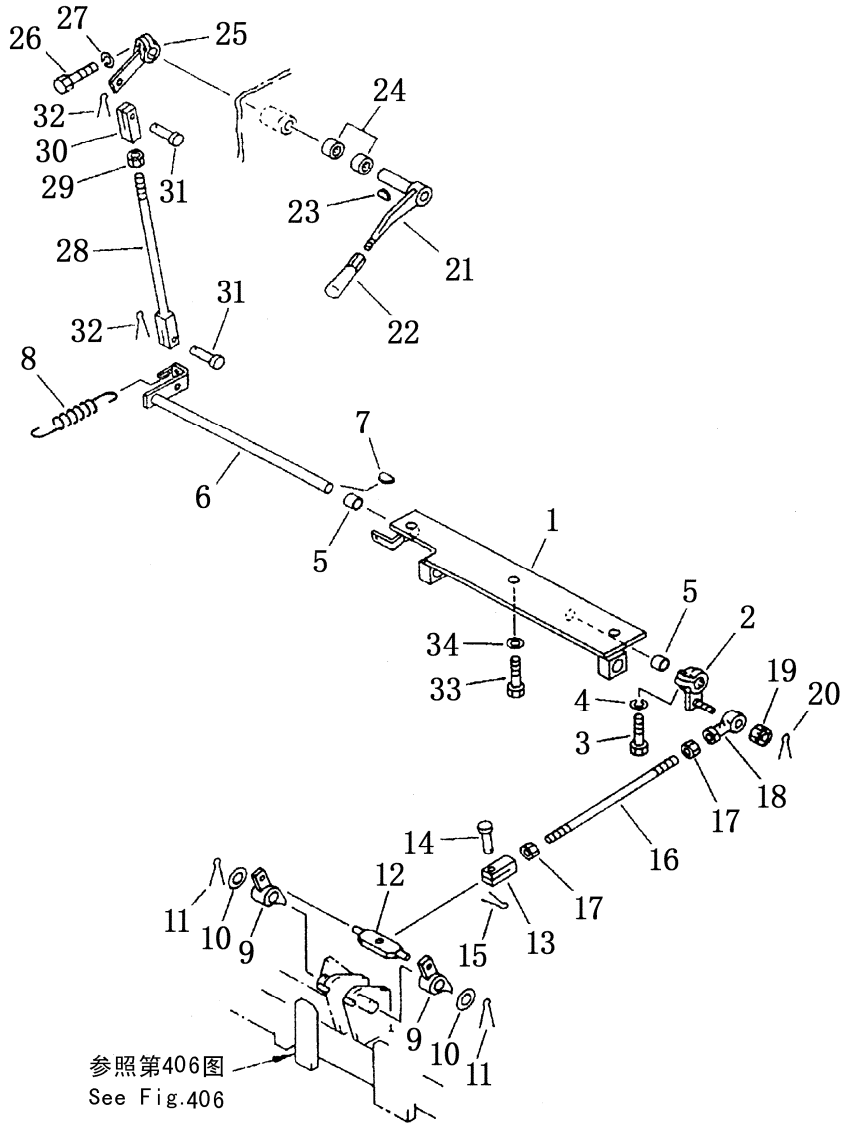
第 408 图 制动踏板
 FIG. 408 BRAKE PEDAL



制动踏板
BRAKE PEDAL

序号 Index No.	件号 Part No.	名称 Description	数量 Q'ty
408-1	154-43-41130	踏板(左) pedal l.h.	1
2	154-43-41140	踏板(右) pedal r.h.	1
3	07021-01090	油杯 fitting grease	2
4	06120-03520	滚针轴承 bearing needle	4
5	06122-03504	防尘圈 seal bearing	4
6	04010-01032	半圆键 key	2
7	154-43-41150	摇臂 lever	2
8	01010-51245	螺栓 bolt	2
9	01602-21236	弹簧垫圈 washer spring	2
10	154-43-41281	支架 bracket	1
10A	154-54-42430	垫片 sheet	1
11	154-43-41122	盖 cover	1
12	01010-51225	螺栓 bolt	4
13	01643-31232	垫圈 washer	4
14	09311-41237	缓冲螺栓 bumper	2
15	01580-11210	螺母 nut	2
16	154-43-41260	弹簧 spring	2
17	04210-21456	叉口板 yoke	2
18	04205-11438	销轴 pin	2
19	04050-14028	开口销 pin cotter	2
20	04248-31433	杆 rod	2
21	01582-11411	螺母 nut	2
22	01508-41408	螺母 nut	2
23	01010-51230	螺栓 bolt	9
24	01643-31232	垫圈 washer	9

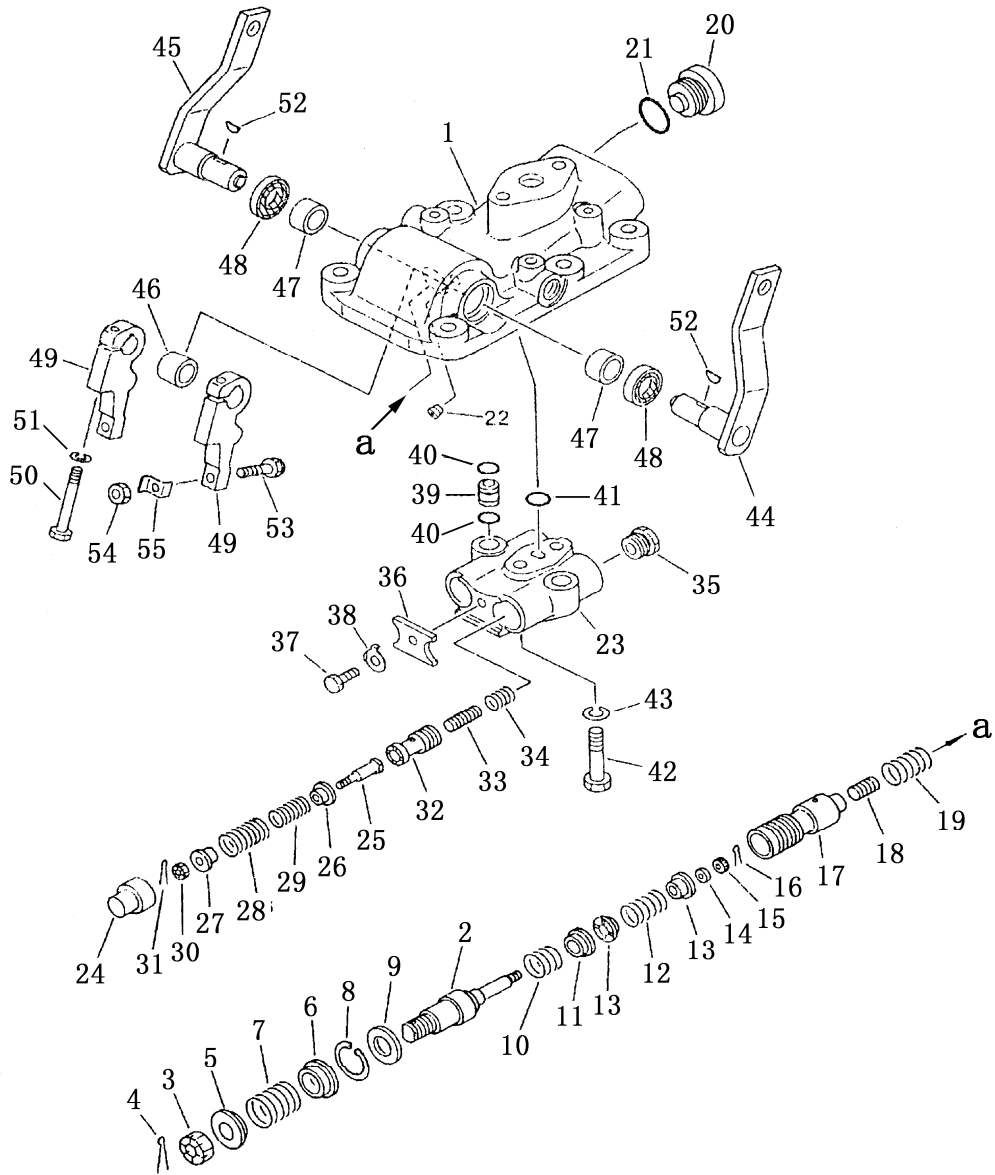
第409图 制动闭锁杆
 FIG. 409 PARKING BRAKE LEVER



制动闭锁杆
PARKING BRAKE LEVER

序号 Index No.	件号 Part No.	名称 Description	数量 Q'ty
409-1	154-43-41330	支架 bracket	1
2	154-43-41340	摇臂 lever	1
3	01010-50830	螺栓 bolt	1
4	01602-20825	弹簧垫圈 washer spring	1
5	09350-01615	衬套 bushing	2
6	154-43-41320	摇臂 lever	1
7	04010-00519	半圆键 key	1
8	195-43-18491	弹簧 spring	1
9	154-43-41360	棘爪 pawl	2
10	01640-22032	垫圈 washer	2
11	04050-14030	开口销 pin cotter	2
12	154-43-41350	棒 bar	1
13	04210-21040	叉口板 yoke	1
14	04205-11028	销轴 pin	1
15	04050-13020	开口销 pin cotter	1
16	04245-41027	杆 rod	1
17	01582-11008	螺母 nut	2
18	04250-81056	关节轴承 end bearing	1
19	01593-11008	螺母 nut	1
20	04050-12018	开口销 pin cotter	1
21	195-43-41260	摇臂 lever	1
22	09305-00800	手柄 knob	1
23	04010-00519	半圆键 key	1
24	195-61-34120	轴承 bearing	2
25	154-43-41310	摇臂 lever	1
26	01010-50830	螺栓 bolt	1
27	01602-20825	弹簧垫圈 washer spring	1
28	04244-41033	杆 rod	1
29	01580-11008	螺母 nut	1
30	04210-21040	叉口板 yoke	1
31	04205-11028	销轴 pin	2
32	04050-13020	开口销 pin cotter	2
33	01010-51230	螺栓 bolt	3
34	01643-31232	垫圈 washer	3

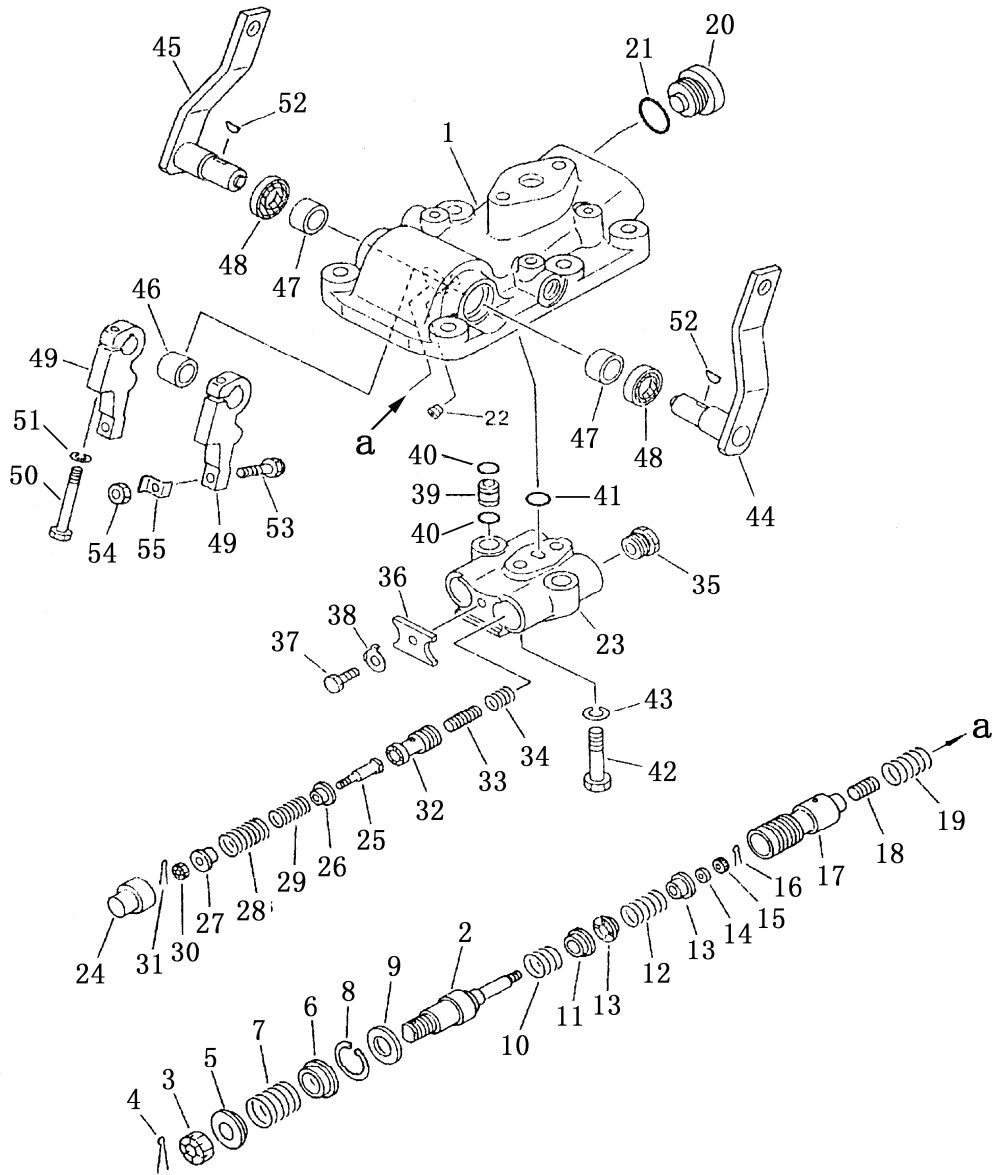
第410图 转向阀
 FIG. 410 STEERING CONTROL VALVE



转 向 阀
STEERING CONTROL VALVE

序号 Index No.	件 号 Part No.	名 称 Description	数量 Q'ty
	154-40-00082	转向阀 steering valve ass'y	1
410-1	144-40-22211	阀体 body valve	1
2	195-40-11540	轴 shaft	2
3	01593-11613	螺母 nut	2
4	04050-14025	开口销 pin cotter	2
5	144-40-22180	座 stopper	2
6	144-40-22170	座 stopper	2
7	175-40-31230	弹簧 spring	2
8	04065-03212	卡环 ring snap	2
9	195-40-13110	挡圈 stopper	2
10	195-40-11550	弹簧 spring	2
11	195-40-11560	座 stopper	2
12	175-40-31150	弹簧 spring	2
13	195-40-11570	座 stopper	2
14	144-40-22190	垫圈 washer	2
15	01590-10607	螺母 nut	2
16	04050-11212	开口销 pin cotter	2
17	195-40-11531	阀芯 valve	2
18	702-11-11190	活塞 piston	2
19	175-40-31130	弹簧 spring	2
20	175-40-31530	螺塞 plug	2
21	07002-03034	o形圈 o-ring	2
22	07043-50108	螺塞 plug	1
23	144-40-22230	阀体 body valve	1
24	144-40-22290	导套 guide collar	2
25	144-40-22260	轴 shaft	2
26	144-40-22270	座 stopper	2
27	144-40-22280	座 stopper	2
28	144-40-22340	弹簧 spring	2
29	154-40-41130	弹簧 spring	2
30	01590-10607	螺母 nut	2
31	04050-11212	开口销 pin cotter	2
32	144-40-22311	阀芯 valve	2
33	144-40-22320	活塞 piston	2

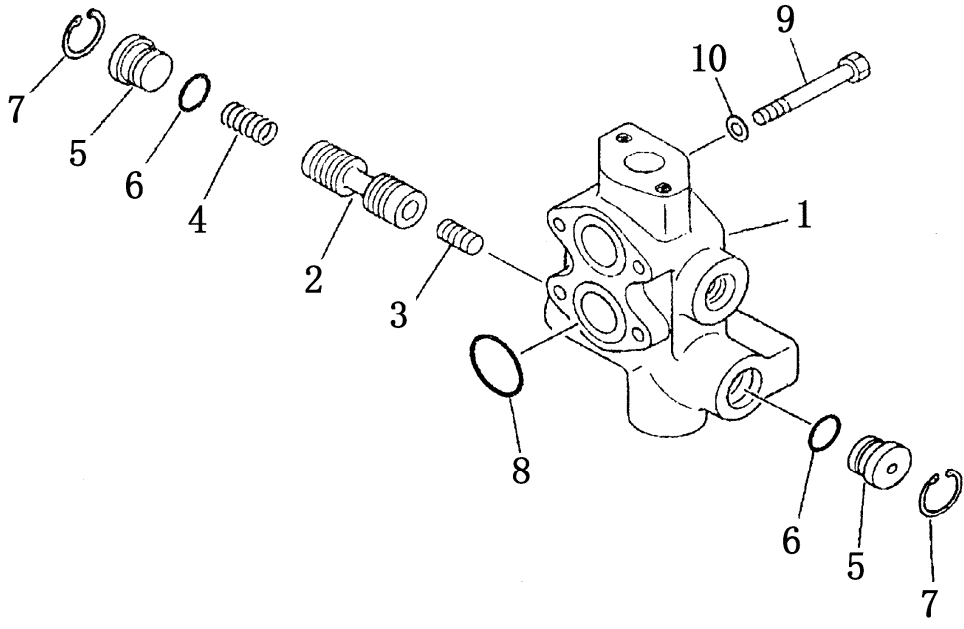
第410图 转向阀
 FIG. 410 STEERING CONTROL VALVE



转 向 阀
STEERING CONTROL VALVE

序号 Index No.	件 号 Part No.	名 称 Description	数量 Q'ty
410-34	175-40-31410	弹簧 spring	2
35	144-40-22250	螺塞 plug	2
36	144-40-22330	板 plate	1
37	01010-50816	螺栓 bolt	1
38	01650-20808	锁片 washer	1
39	175-40-31510	导管 tube	2
40	07000-02011	O 形圈 o-ring	4
41	07000-02015	O 形圈 o-ring	1
42	01010-51050	螺栓 bolt	2
43	01602-21030	垫圈 washer spring	2
44	154-40-41110	操纵杆 (左) lever L. h.	1
45	144-40-41120	操纵杆 (右) lever R. h.	1
46	09350-01820	轴套 bushing	1
47	09350-02215	轴套 bushing	2
48	175-40-31270	油封 seal oil	2
49	144-40-22240	杆 lever	2
50	01010-50860	螺栓 bolt	2
51	01602-20825	垫圈 washer spring	2
52	04010-00416	半园键 key	2
53	144-40-22160	螺栓 bolt	2
54	01580-10806	螺母 nut	2
55	130-21-12330	锁片 lock	2

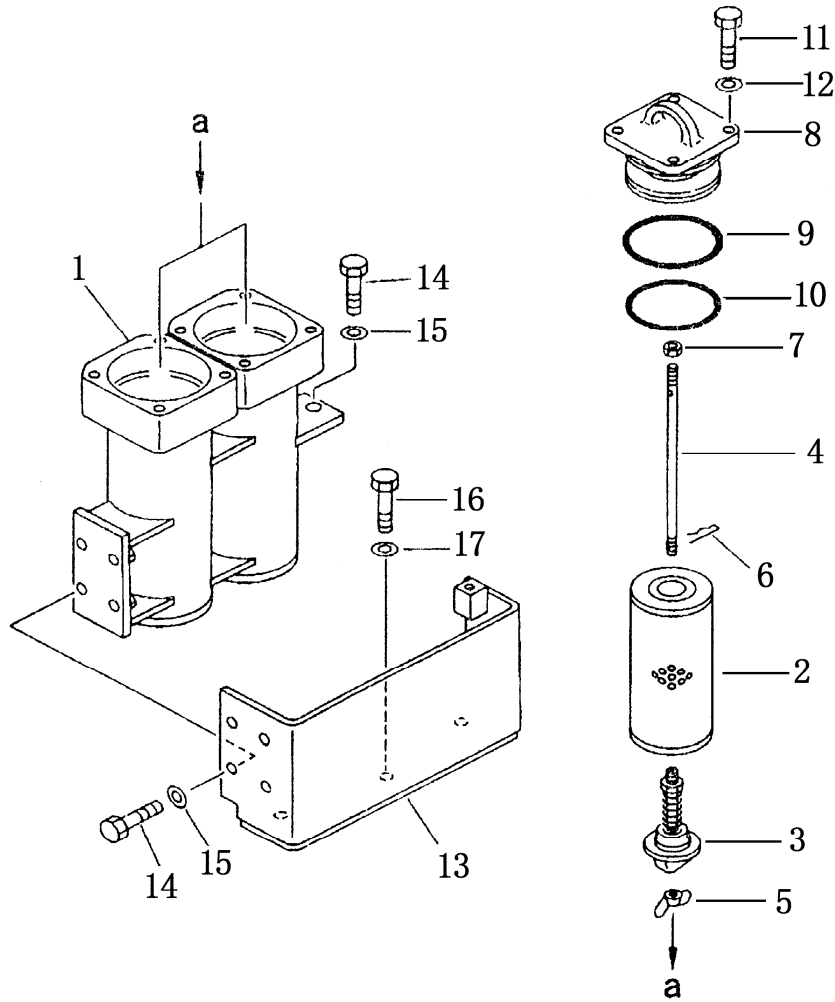
第411图 主调压阀
FIG. 411 MAIN RELIEF VALVE



主 调 压 阀
MAIN RELIEF VALVE

序号 Index No.	件 号 Part No.	名 称 Description	数量 Q'ty
	154-49-51100	调压阀 valve ass'y	1
411-1	154-49-51110	阀体 body valve	1
2	145-14-23710	阀芯 valve	1
3	145-14-23720	柱塞 piston	1
4	195-40-11431	弹簧 spring	1
5	170-33-13530	堵 stopper	2
6	07000-03025	O形圈 O-ring	2
7	04065-03515	挡圈 ring snap	2
8	07000-03042	O形圈 O-ring	2
9	01010-51085	螺栓 bolt	4
10	01643-31032	垫圈 washer	4

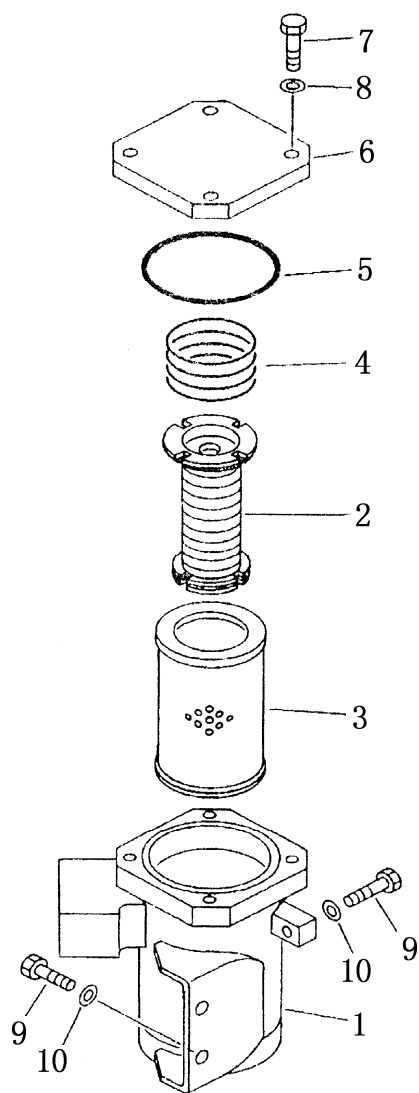
第 412 图 精 滤 油 器
FIG. 412 TRANSMISSION OIL FILTER



精滤油器
TRANSMISSION OIL FILTER

序号 Index No.	件 号 Part No.	名 称 Description	数量 Q'ty
	154-49-51301	精滤油器 filter ass'y	1
412-1	154-49-51311	滤油器壳 case	1
2	175-49-11580	滤芯 element	2
3	175-49-25530	安全阀 valve ass'y	2
4	175-49-25540	螺杆 rod	2
5	01540-01050	螺帽 nut	2
6	04052-01038	开口销 pin snap	2
7	01582-01008	螺母 nut	2
8	154-49-52130	盖 cover	2
9	07000-02115	O 形圈 O-ring	2
10	07000-02110	O 形圈 O-ring	2
11	01010-51640	螺栓 bolt	8
12	01643-51645	垫圈 washer	8
13	154-49-51320	板 bracket	1
14	01010-51230	螺栓 bolt	5
15	01643-31232	垫圈 washer	5
16	01010-51635	螺母 nut	3
17	01643-31645	垫圈 washer	3

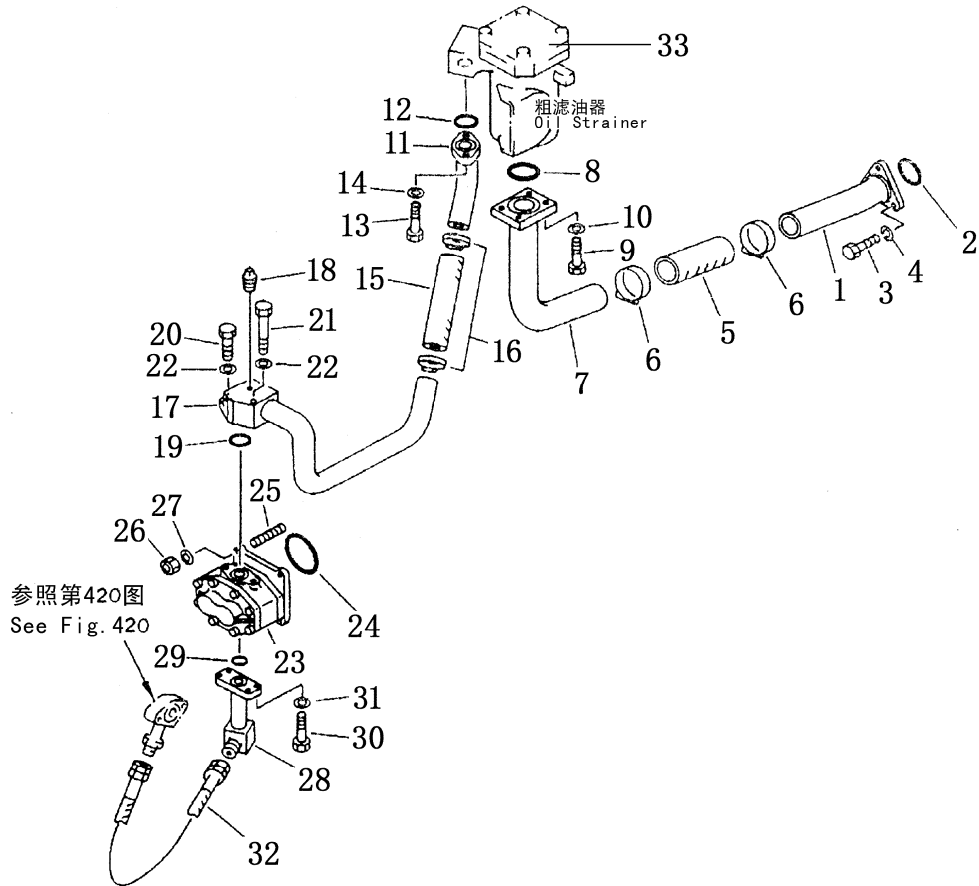
第 413 图 粗滤油器
FIG. 413 OIL STRAINER



粗滤油器
OIL STRAINER

序号 Index No.	件 号 Part No.	名 称 Description	数量 Q'ty
413-1	154-49-51200	粗滤油器 strainer ass'y	1
	154-49-51211	滤油器壳 case	1
	2	175-49-11231 磁铁 magnet	1
	3	175-49-11222 滤芯 element	1
	4	154-19-11230 弹簧 spring	1
	5	07000-03130 O形圈 o-ring	1
	6	154-49-51220 盖 cover	1
	7	01010-51235 螺栓 bolt	4
	8	01643-31232 垫圈 washer	4
	9	01010-51235 螺栓 bolt	3
10	01643-31232 垫圈 washer	3	

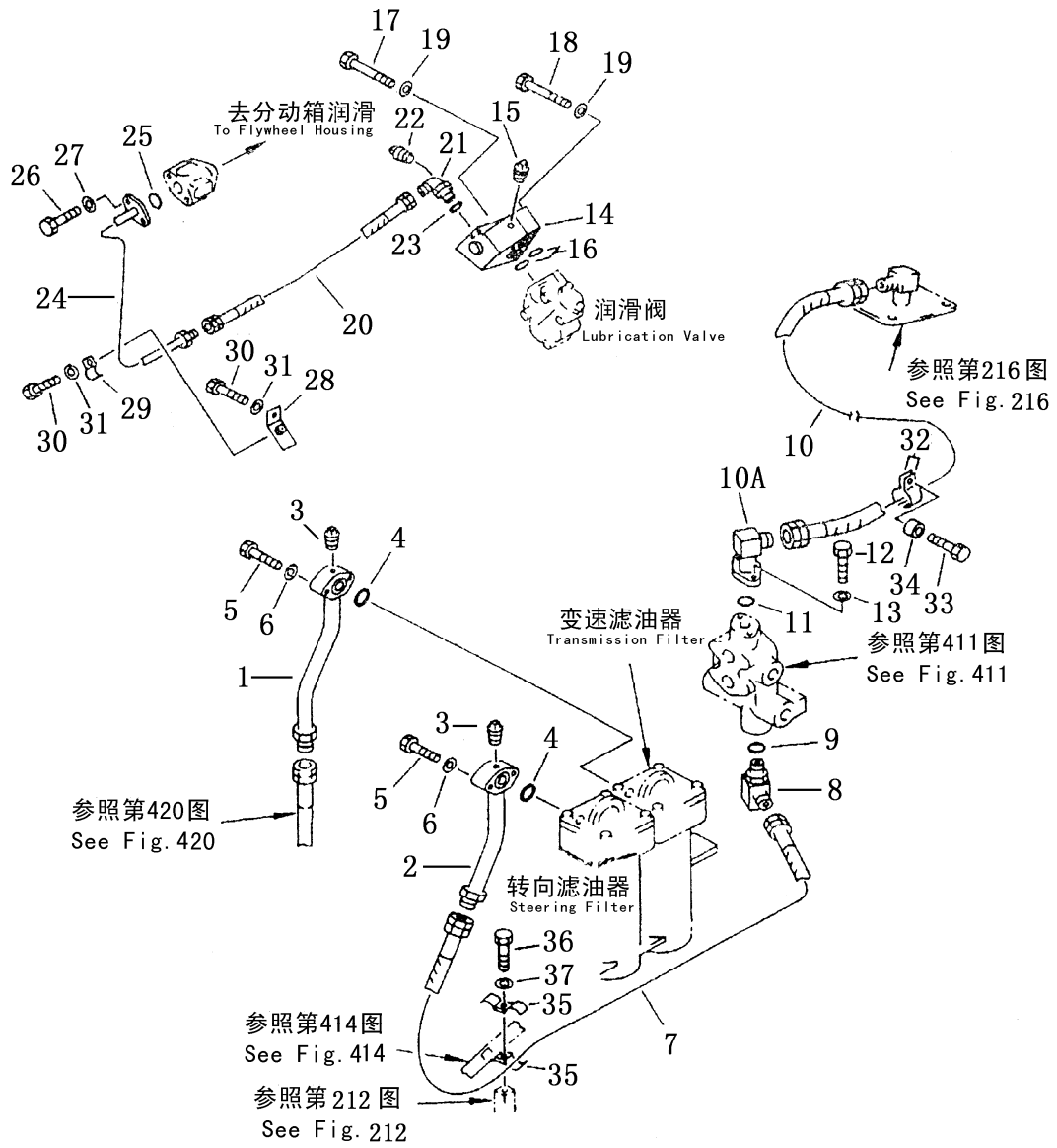
第 414 图 转向管路 (1/3)
FIG. 414 STEERING PIPING



转向管路 (1/3)
STEERING PIPING

序号 Index No.	件号 Part No.	名称 Description	数量 Q'ty
414-1	154-49-51120	管 tube	1
2	07000-02065	O形圈 O-ring	1
3	01010-51235	螺栓 bolt	3
4	01602-21236	垫圈 washer	3
5	07260-05825	软管 hose	1
6	07280-08029	管夹 clip	4
7	154-49-51130	管 tube	1
8	07000-02060	O形圈 O-ring	1
9	01010-51240	螺栓 bolt	4
10	01643-31232	垫圈 washer	4
11	154-49-51141	管 tube	1
12	07000-03042	O形圈 O-ring	1
13	01010-51240	螺栓 bolt	2
14	01643-31232	垫圈 washer	2
15	07260-04120	软管 hose	1
16	07281-00609	喉箍 clamp	2
17	154-49-51150	管 tube	1
18	07042-30108	螺塞 plug	1
19	07000-03038	O形圈 O-ring	1
20	01010-51035	螺栓 bolt	1
21	01010-51080	螺栓 bolt	1
22	01643-31032	垫圈 washer	2
23	07436-72202	转向泵 steering pump	1
24	07000-02085	O形圈 O-ring	1
25	01140-51255	螺栓 bolt	4
26	01582-11210	螺母 nut	4
27	01643-31232	垫圈 washer	4
28	154-49-51231	管 tube	1
29	07000-03025	O形圈 O-ring	1
30	01010-51035	螺栓 bolt	4
31	01643-31032	垫圈 washer	4
32	07102-20605	软管 hose	1

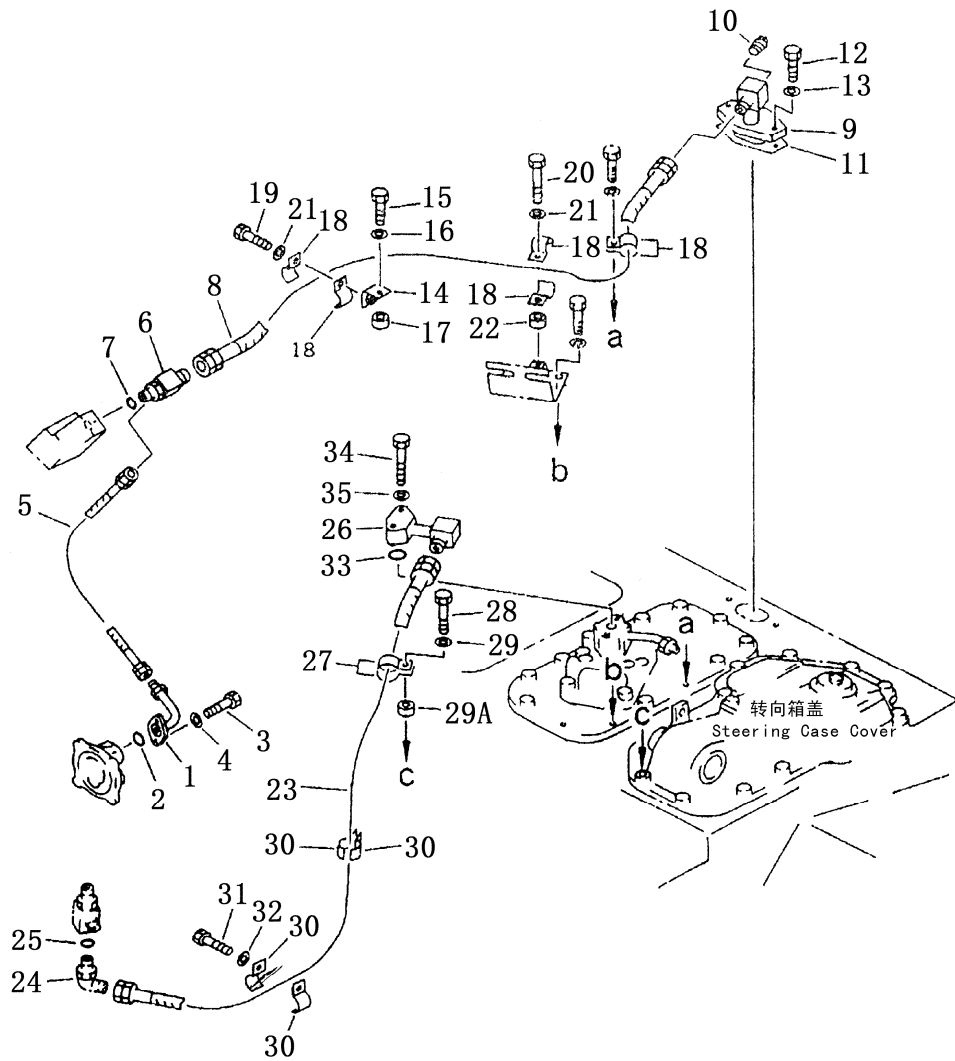
第 415 图 转向管路 (2/3)
 FIG. 415 STEERING PIPING



转向管路 (2/3)
STEERING PIPING (2/3)

序号 Index No.	件号 Part No.	名称 Description	数量 Q'ty
415-1	154-49-51250	管 tube	1
2	154-49-51760	管 tube	1
3	07042-30108	螺塞 plug	2
4	07000-03035	O形圈 O-ring	2
5	01010-51045	螺栓 bolt	4
6	01643-31032	垫圈 washer	4
7	07102-20614	软管 hose	1
8	154-49-51270	管接头 joint	1
9	07002-02434	O形圈 O-ring	1
10	07102-21011	软管 hose	1
10A	154-49-51930	管 tube	1
11	07000-03032	O形圈 O-ring	2
12	01010-51035	螺栓 bolt	2
13	01643-31032	垫圈 washer	2
14	154-49-51381	通油座 pedestal	1
15	07042-30108	螺塞 plug	1
16	07000-03030	O形圈 O-ring	2
17	01010-51090	螺栓 bolt	2
18	01010-51075	螺栓 bolt	1
19	01643-31032	垫圈 washer	3
20	07102-20304	软管 hose	1
21	07235-50315	接头 joint	1
22	07042-30108	螺塞 plug	1
23	07002-02034	O形圈 O-ring	1
24	154-01-21710	管 tube	1
25	07000-03025	O形圈 O-ring	1
26	01010-51030	螺栓 bolt	2
27	01643-31032	垫圈 washer	2
28	154-01-21750	支架 bracket	1
29	22X-61-16760	管夹 clamp	1
30	01010-51020	螺栓 bolt	2
31	01643-31032	垫圈 washer	2
32	17Y-74-17000	夹 clip	2
33	01010-51255	螺栓 bolt	1
34	195-33-11220	套 bushing	1
35	176-61-41420	管夹 clip	2
36	01010-51055	螺栓 bolt	1
37	01643-31032	垫圈 washer	1

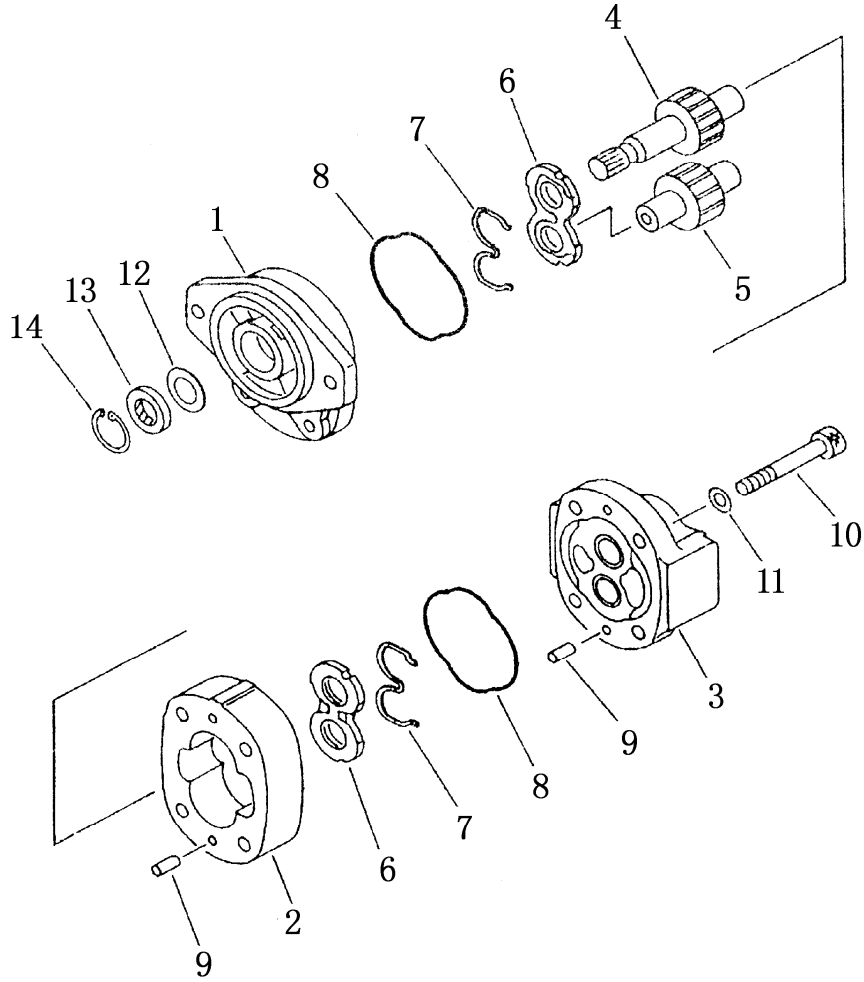
第 416 图 转向管路 (3/3)
 FIG. 416 STEERING PIPING



转向管路 (3/3)
STEERING PIPING

序号 Index No.	件号 Part No.	名称 Description	数量 Q'ty
416-1	154-49-51430	管 tube	1
2	07000-03025	O形圈 O-ring	1
3	01010-51030	螺栓 bolt	2
4	01643-31032	垫圈 washer	2
5	07102-20305	软管 hose	1
6	154-49-51770	丁字接头 tee	1
7	07002-02434	O形圈 O-ring	1
8	07102-21014	软管 hose	1
9	17Y-74-44000	管 tube	1
10	07042-30108	螺塞 plug	1
11	17Y-74-00013	垫 gasket	1
12	01010-51240	螺栓 bolt	2
13	01643-31232	垫圈 washer	2
14	154-49-51640	支架 bracket	1
15	01010-51045	螺栓 bolt	1
16	01643-31032	垫圈 washer	1
17	17Y-74-00010	垫 gasket	1
18	17Y-74-17000	夹 clamp	6
19	01010-51230	螺栓 bolt	1
20	01010-51255	螺栓 bolt	1
21	01643-31232	垫圈 washer	2
22	195-33-11220	套 spacer	1
23	07102-20616	软管 hose	1
24	07235-10628	接头 elbow	1
25	07002-02434	O形圈 O-ring	1
26	154-49-51590	管 tube	1
27	154-49-51970	管夹 clamp	2
28	01010-51290	螺栓 bolt	1
29	01643-31232	垫圈 washer	1
29A	195-33-11220	套 spacer	1
30	154-49-51970	管夹 clamp	4
31	01010-51230	螺栓 bolt	2
32	01643-31232	垫圈 washer	2
33	07000-03028	O形圈 O-ring	1
34	01011-51020	螺栓 bolt	2
35	01643-30032	垫圈 washer	2

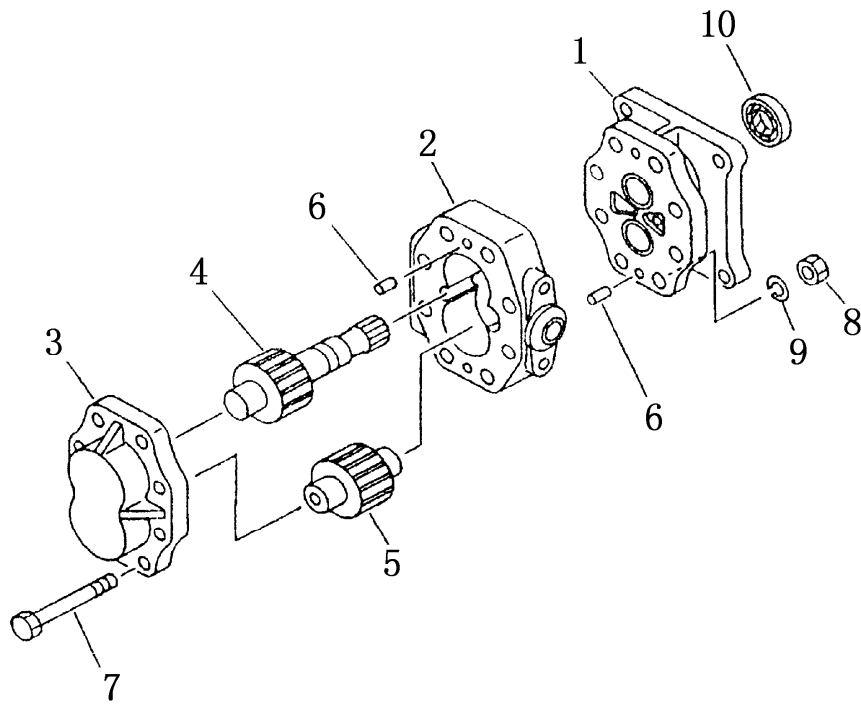
第 417 图 变 速 泵
FIG. 417 TRANSMISSION PUMP



变 速 泵
TRANSMISSION PUMP

序号 Index No.	件 号 Part No.	名 称 Description	数量 Q'ty
	705-21-32051	变速泵 pump, ass'y	1
417-1	705-17-02011	前盖 cover, front	1
2	705-17-32012	泵体 case gear	1
3	705-17-02141	后盖 cover, rear	1
4	705-17-32412	齿轮 gear drive	1
5	705-17-32512	齿轮 gear drive	1
6	705-17-02612	侧板 plate side	2
7	705-18-02670	密封 ring seal	2
8	705-17-02360	O形圈 O-ring	2
9	04020-01024	销 pin dowel	4
10	705-17-02760	螺栓 bolt	4
11	01643-51232	垫圈 washer	4
12	705-17-02870	垫 gasket	1
13	705-17-02830	油封 seal oil	1
14	04065-04018	卡环 ring snap	1

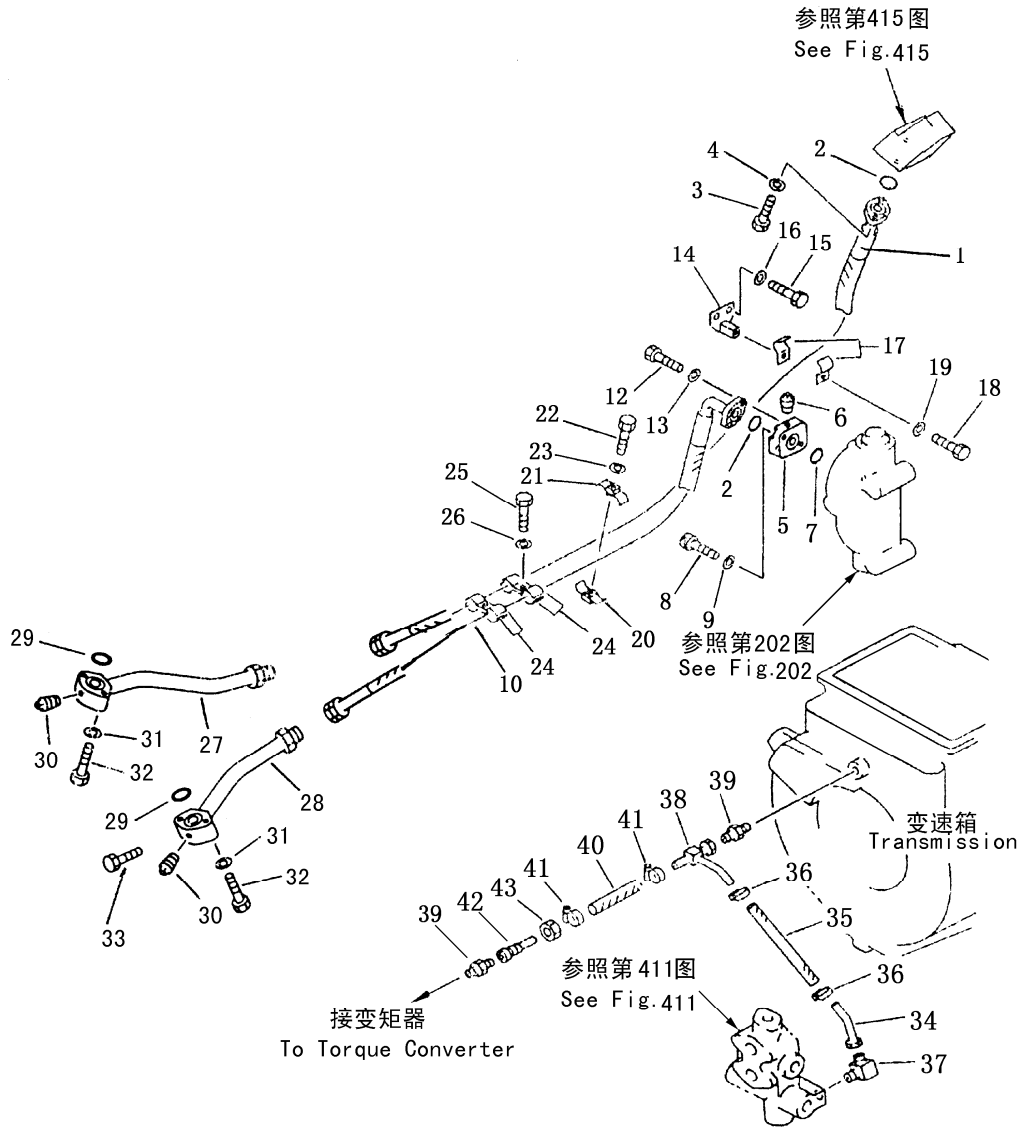
第 418 图 转向泵
FIG. 418 STEERING PUMP



转 向 泵
STEERING PUMP

序号 Index No.	件 号 Part No.	名 称 Description	数量 Q'ty
	07436-72202	转向泵 pump, ass'y	1
418-1	07434-72112	前盖 cover, front	1
2	07436-71221	泵体 case gear	1
3	07434-71131	后盖 cover, rear	1
4	07436-71042	齿轮 gear drive	1
5	07436-71052	齿轮 gear drive	1
6	04020-00820	销 pin dowel	4
7	07432-11080	螺栓 bolt	8
8	01582-11210	螺母 nut	8
9	01602-21236	垫圈 washer	8
10	07434-71160	油封 seal oil	1

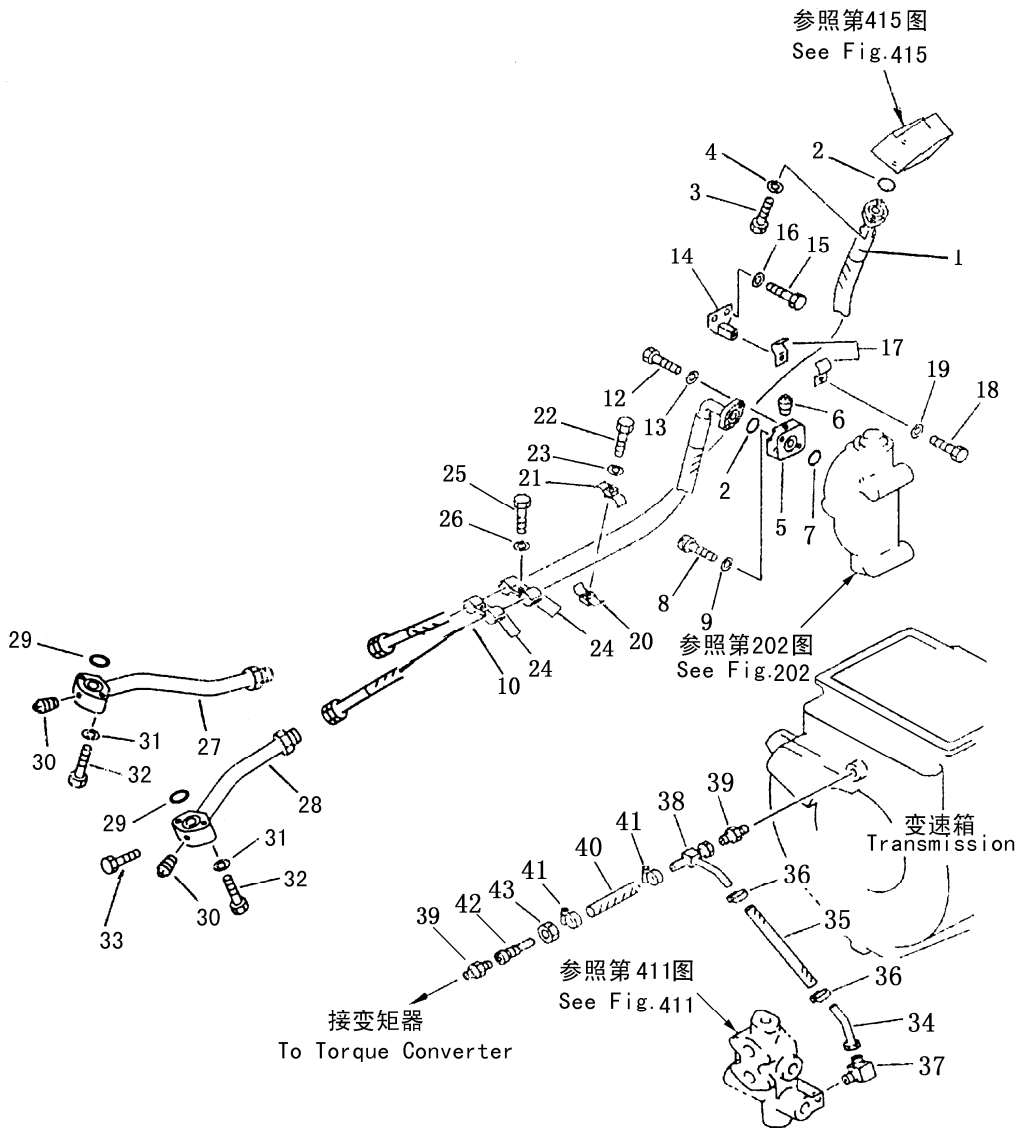
第 419 图 冷 却 管 路
 FIG. 419 TORQUE CONVERTER AND OIL COOLER PIPING



冷 却 管 路
TOROUÉ CONVERTER AND OIL COOLER PIPING

序号 Index No.	件 号 Part No.	名 称 Description	数量 Q'ty
419-1	17Y-74-31000	软管 hose	1
2	07000-03032	O形圈 O-ring	2
3	01010-51030	螺栓 bolt	2
4	01643-31032	垫圈 washer	2
5	154-49-51420	法兰 spacer	1
6	07042-30108	螺塞 plug	1
7	07000-33045	O形圈 O-ring	1
8	01252-41030	螺栓 bolt	2
9	01643-31032	垫圈 washer	2
10	17Y-74-30000	软管 hose	1
12	01010-51030	螺栓 bolt	2
13	01643-31032	垫圈 washer	2
14	154-49-51690	板 bracket	1
15	01010-51225	螺栓 bolt	2
16	01643-31232	垫圈 washer	2
17	17Y-74-17000	夹 clamp	2
18	01010-51230	螺栓 bolt	1
19	01643-31232	垫圈 washer	1
20	195-78-22320	弓形夹 clamp	1
21	195-78-22330	夹 clamp	1
22	01010-51260	螺栓 bolt	1
23	01643-31232	垫圈 washer	1
24	15449-22290	管夹 clamp	4
25	01010-51270	螺栓 bolt	2
26	01643-31232	垫圈 washer	2
27	17Y-74-32000	管 tube	1
28	17Y-74-55000	管 tube	1
29	07000-02060	O形圈 O-ring	2
30	07042-30108	螺塞 plug	2
31	01602-21338	垫圈 washer	8
32	02010-70838	螺栓 bolt	6
33	02010-70870	螺栓 bolt	2
34	154-49-51390	管 tube	1
35	07260-20922	软管 hose	1

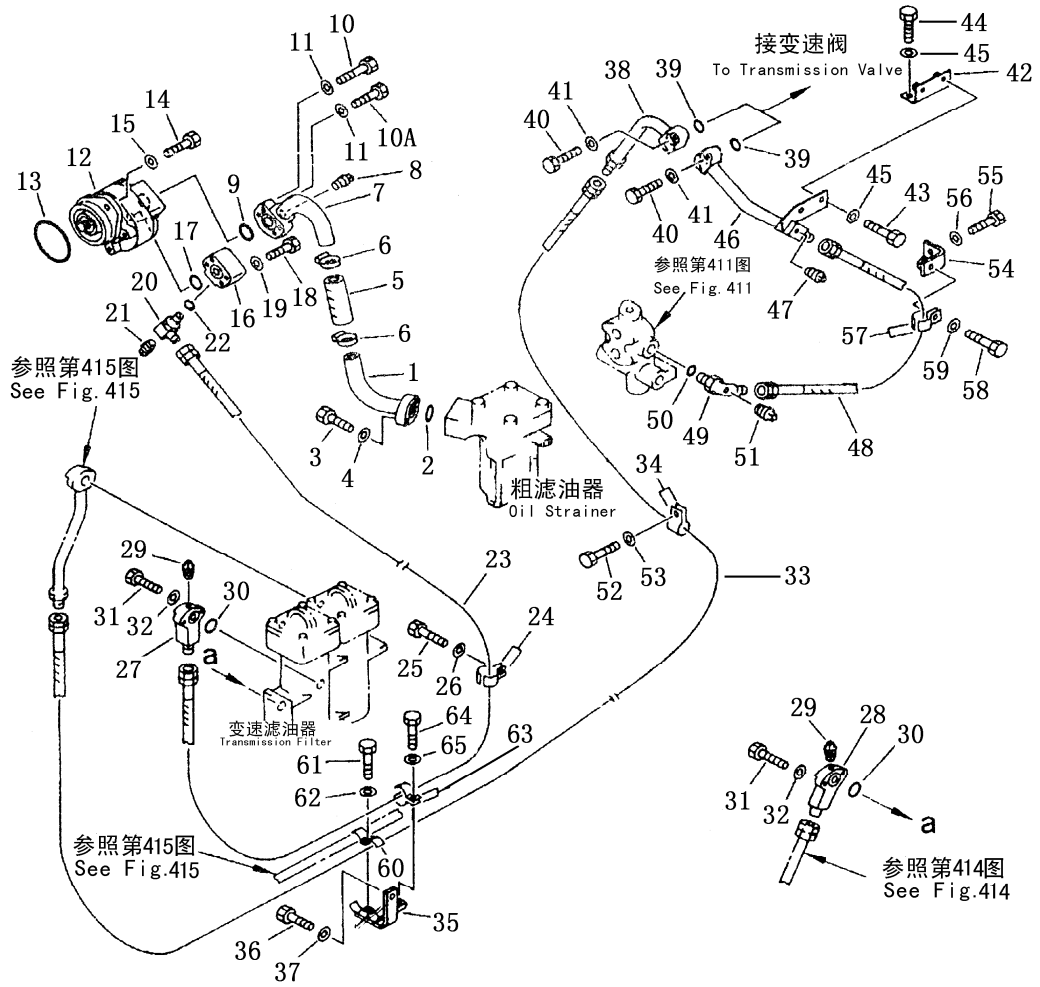
第 419 图 冷 却 管 路
 FIG. 419 TORQUE CONVERTER AND OIL COOLER PIPING



冷 却 管 路
TOROUÉ CONVERTER AND OIL COOLER PIPING

序号 Index No.	件 号 Part No.	名 称 Description	数量 Q'ty
419-36	07281-00197	喉箍 clamp	2
37	22W-44-14580	弯管接头 elbow	1
38	154-49-51410	管 tube	1
39	07213-51521	接头 connector	2
40	07260-21413	软管 hose	1
41	07281-00259	喉箍 clamp	2
42	154-19-22213	管 tube	1
43	07201-61527	螺母 nut	1

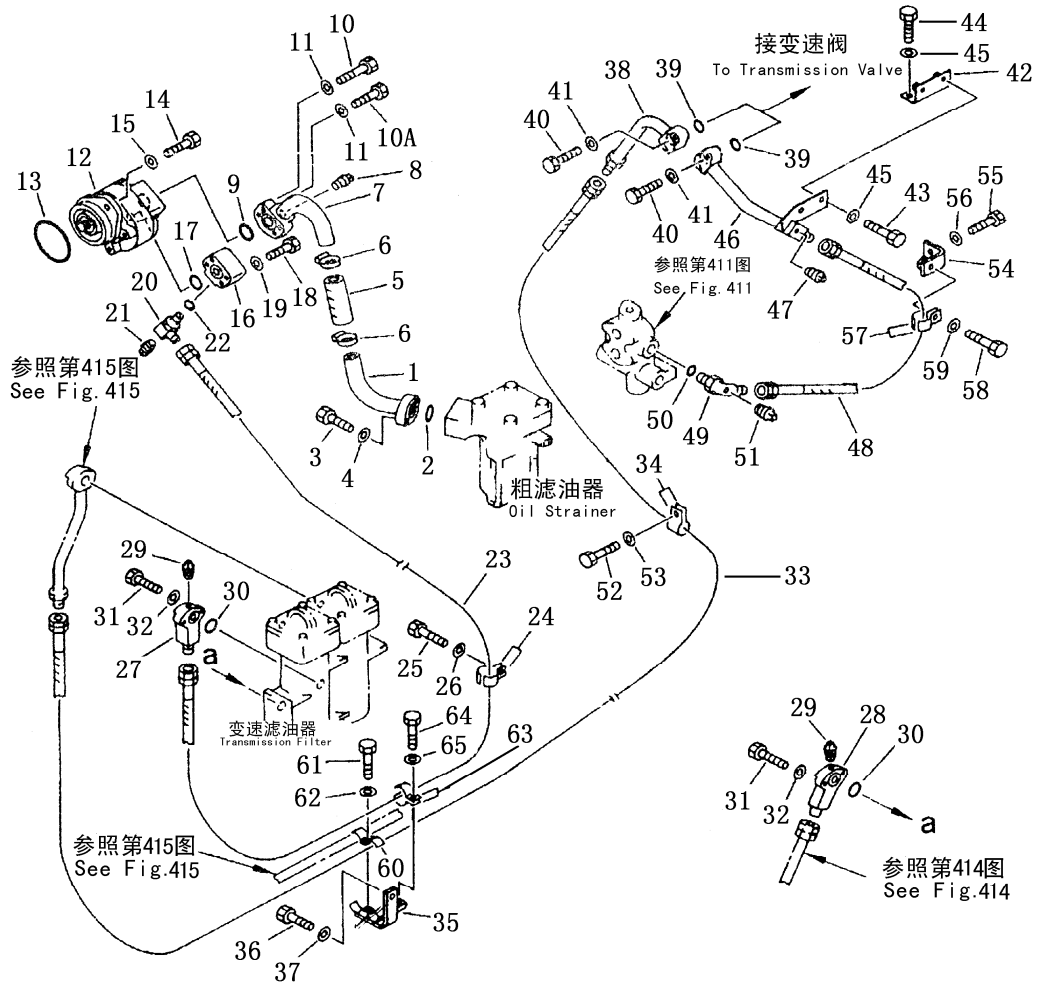
第 420 图 变 速 管 路
 FIG. 420 TORQFLOW TRANSMISSION PIPING



变速管路
TORQFLOW TRANSMISSION PIPING

序号 Index No.	件号 Part No.	名称 Description	数量 Q'ty
420-1	154-49-51163	管 tube	1
2	07000-03042	O形圈 O-ring	1
3	01010-51240	螺栓 bolt	2
4	01643-31232	垫圈 washer	2
5	07260-03213	软管 hose	1
6	07281-00549	喉箍 clamp	2
7	154-49-51173	管 tube	1
8	07042-30108	螺塞 plug	1
9	07000-03035	O形圈 O-ring	1
10	01010-51060	螺栓 bolt	2
10A	01010-51055	螺栓 bolt	2
11	01643-31032	垫圈 washer	4
12	705-21-32051	变速泵 pump ass'y	1
13	07000-02105	O形圈 O-ring	1
14	01010-51235	螺栓 bolt	2
15	01643-31232	垫圈 washer	2
16	154-49-11362	弯管接头 elbow	1
17	07000-03030	O形圈 O-ring	1
18	01010-50860	螺栓 bolt	4
19	01643-30823	垫圈 washer	4
20	07235-50628	接头 elbow	1
21	07042-30108	螺塞 plug	1
22	07002-02434	O形圈 O-ring	1
23	07108-20616	软管 hose	1
24	154-49-51970	管夹 clamp	2
25	01010-51225	螺栓 bolt	1
26	01643-31232	垫圈 washer	1
27	154-49-51241	管接头 elbow	1
28	154-49-51751	管接头 elbow	1
29	07042-30108	螺塞 plug	2
30	07000-03035	O形圈 O-ring	2
31	01010-51045	螺栓 bolt	4
32	01643-31032	垫圈 washer	4
33	07108-20622	软管 hose	1

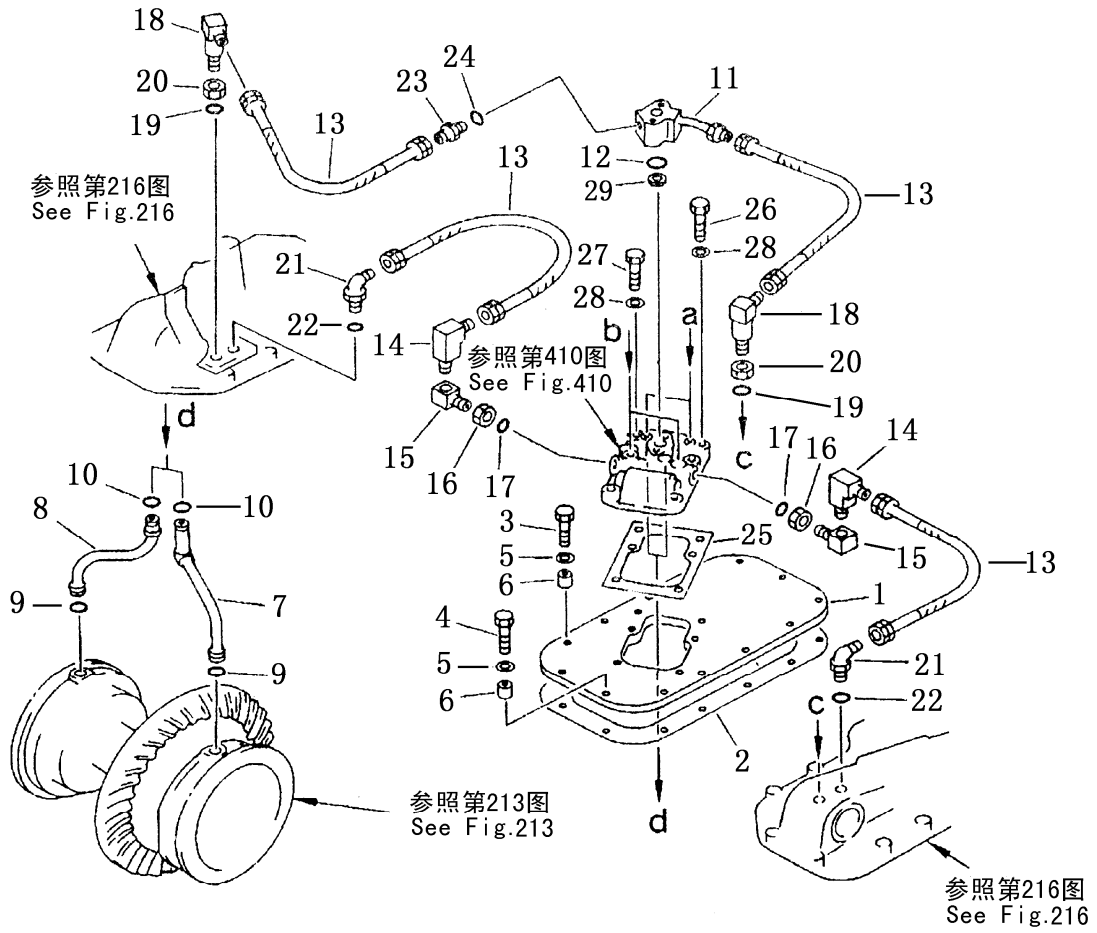
第 420 图 变 速 管 路
 FIG. 420 TORQFLOW TRANSMISSION PIPING



变速管路
TORQFLOW TRANSMISSION PIPING

序号 Index No.	件号 Part No.	名称 Description	数量 Q'ty
420-34	154-49-51970	管夹 clamp	2
35	154-49-52110	支架 bracket	1
36	01010-51225	螺栓 bolt	1
37	01643-31232	垫圈 washer	1
38	154-49-51280	管 tube	1
39	07000-03028	O形圈 O-ring	2
40	01010-51055	螺栓 bolt	4
41	01643-31032	垫圈 washer	4
42	154-49-51450	板 plate	1
43	01010-51035	螺栓 bolt	2
44	01010-51045	螺栓 bolt	2
45	01643-31032	垫圈 washer	4
46	154-49-51331	管 tube	1
47	07042-30108	螺塞 plug	1
48	07102-21009	软管 hose	1
49	209-62-14550	弯管接头 flange	1
50	07002-02434	O形圈 O-ring	1
51	07042-30108	螺塞 plug	1
52	01010-51020	螺栓 bolt	1
53	01643-31032	垫圈 washer	1
54	175-06-25210	支架 bracket	1
55	01010-51650	螺栓 bolt	1
56	01643-31645	垫圈 washer	1
57	17Y-74-17000	夹 clamp	2
58	01010-51230	螺栓 bolt	1
59	01643-31232	垫圈 washer	1
60	17Y-74-29000	弓形夹 clamp	1
61	01010-51040	螺栓 bolt	1
62	01643-31032	垫圈 washer	1
63	154-49-51970	管夹 clamp	2
64	01010-51230	螺栓 bolt	1
65	01643-31232	垫圈 washer	1

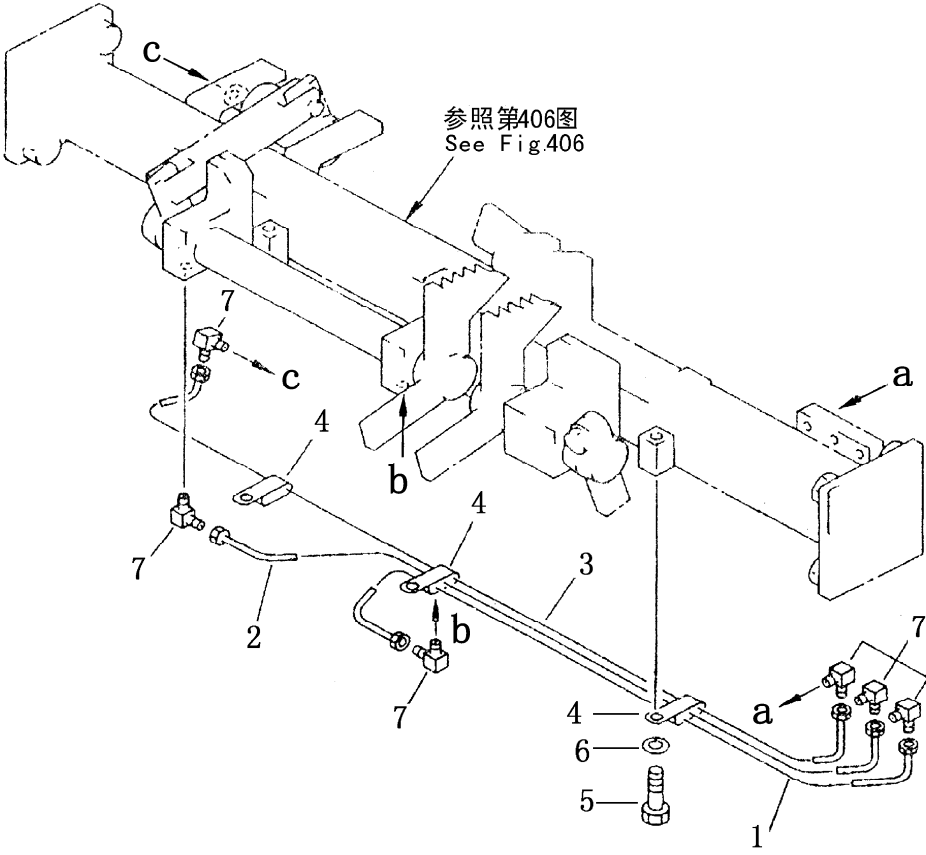
第421图 制动管路
FIG.421 BRAKE PIPING



制动管路
BRAKE PIPING

序号 Index No.	件号 Part No.	名称 Description	数量 Q'ty
421-1	154-49-51560	板 plate	1
2	175-40-22591	垫 gasket	1
3	01010-51260	螺栓 bolt	10
4	01010-51265	螺栓 bolt	3
5	01643-31232	垫圈 washer	13
6	195-33-11220	套 spacer	13
7	154-49-51651	管(左) tube l.h.	1
8	154-49-51660	管(右) tube r.h.	1
9	07000-03022	O形圈 O-ring	2
10	07000-02018	O形圈 O-ring	2
11	154-49-51570	管 tube	1
12	07000-03028	O形圈 O-ring	1
13	07102-20303	软管 hose	4
14	203-62-12330	接头 elbow	2
15	195-49-13830	接头 elbow	2
16	195-49-13840	螺母 nut	2
17	07002-01623	O形圈 O-ring	2
18	175-49-25670	接头 elbow	2
19	07002-02034	O形圈 O-ring	2
20	01583-12012	螺母 nut	2
21	07235-10315	接头 elbow	2
22	07002-02034	O形圈 O-ring	2
23	07230-20315	接头 elbow	1
24	07002-02034	O形圈 O-ring	1
25	144-40-22221	垫 gasket	1
26	01010-51250	螺栓 bolt	5
27	01010-51240	螺栓 bolt	1
28	01643-31232	垫圈 washer	6
29	154-49-51630	垫 gasket	1

第 422 图 集中润滑管路
FIG. 422 CONCENTRATED PIPING

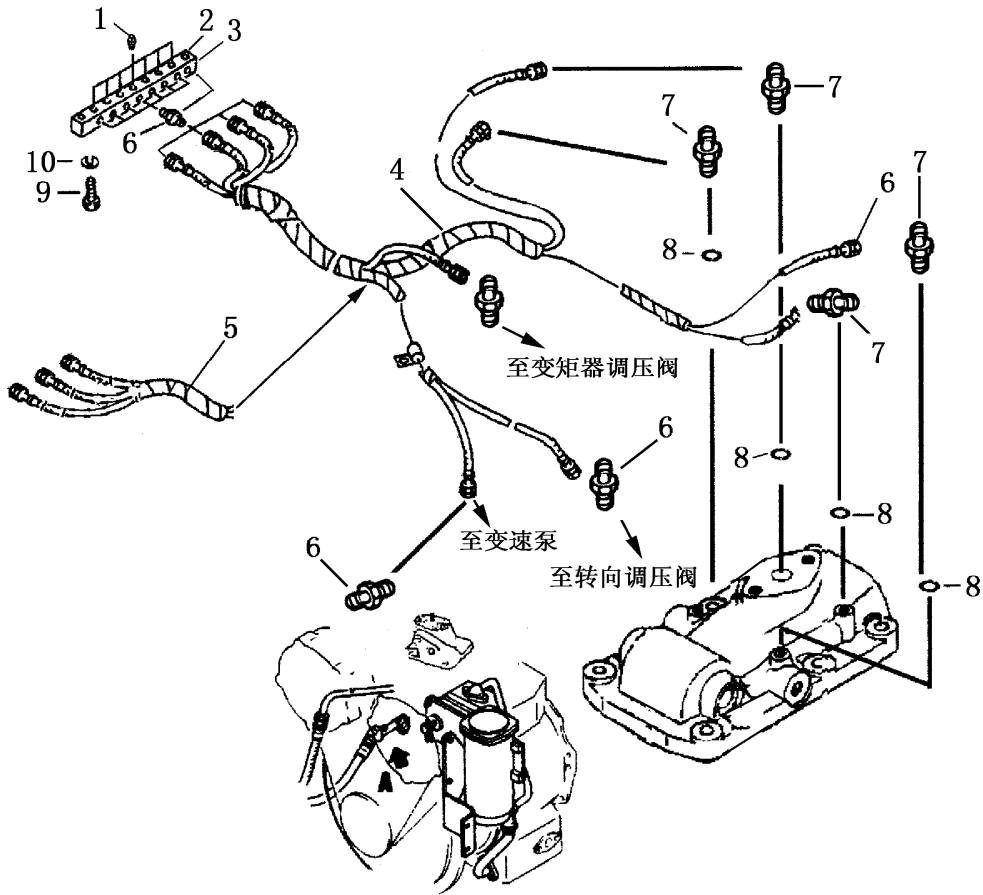


集中润滑管路

CONCENTRATED PIPING

序号 Index No.	件号 Part No.	名称 Description	数量 Q'ty
422-1	154-43-41410	管 tube	1
2	154-43-41420	管 tube	1
3	154-43-41430	管 tube	1
4	209-38-12260	夹 clip	3
5	01010-51220	螺栓 bolt	3
6	01643-31232	垫圈 washer	3
7	176-43-41350	接头 elbow	6

第 423 图 测压管路
FIG.423 TEST PRESSURE PIPING

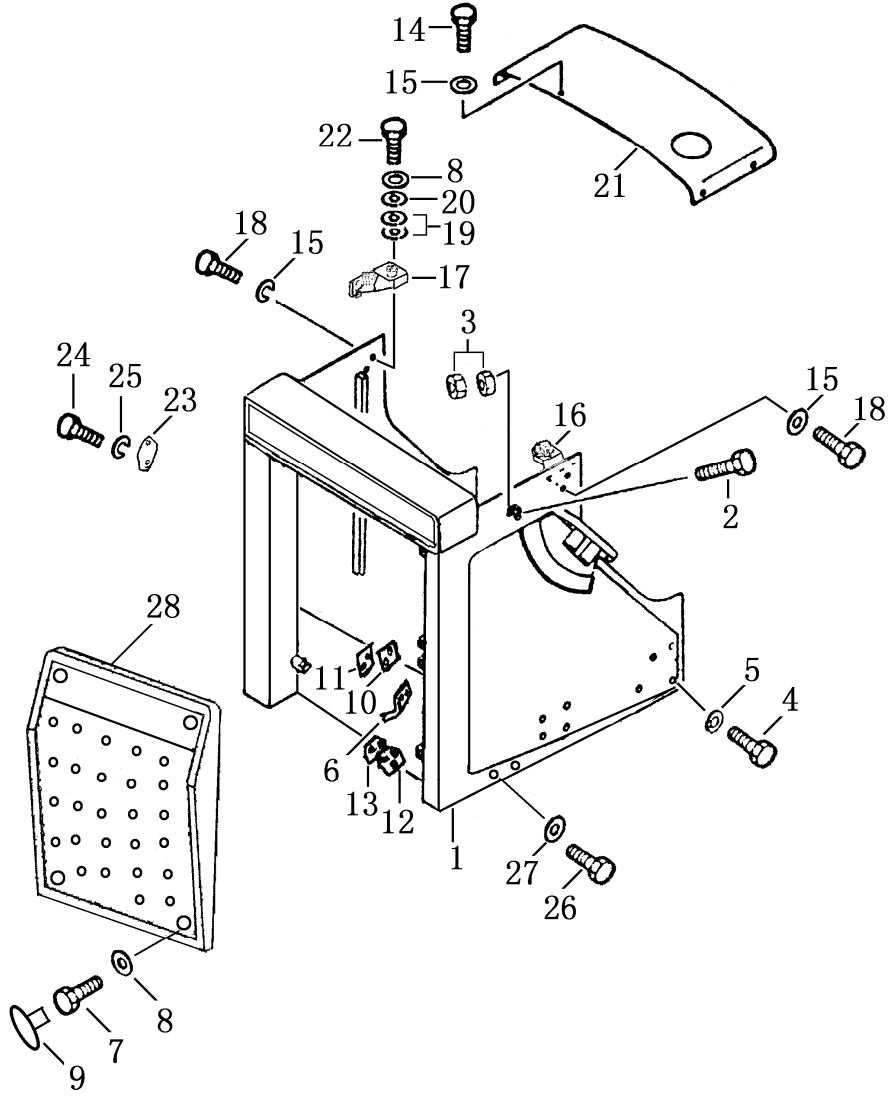


测 压 管 路
TEST PRESSURE PIPING

序号 Index No.	件 号 Part No.	名 称 Description	数量 Q'ty
1	07042-20108	螺塞 plug	10
2	17Y-74B-00003	测压座 seat	1
3	17Y-74B-00004	测压标牌 plate	1
4	17Y-74B-01000	软管 hose	1
5	17Y-74B-02000	软管 hose	1
6	17Y-74B-00001	接头 elbow	10
7	23Y-75B-00001	接头 elbow	4
8	07002-00823	O 型圈 O-ring	4
9	01010-51245	螺栓 bolt	2
10	01643-31232	垫圈 washer	2

护 罩
G U A R D

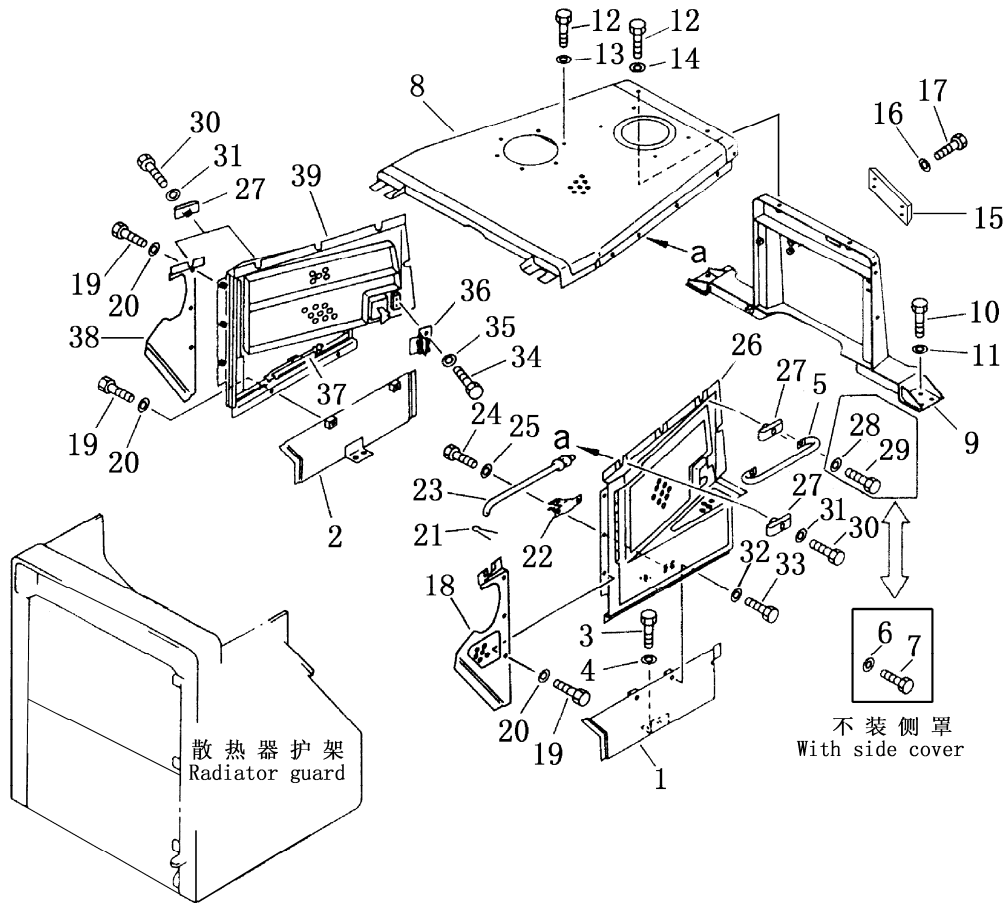
第 501 图 前机罩
FIG. 501 FRONT ENGINEHOOD



前机罩
FRONT ENGINEHOOD

序号 No.	件号 Part No.	名称 Description	数量 Q'ty	
			SD23 SD23E SD23D	SD23S SD23R
501-1	17Y-50B-01000	前罩 guard, radiator	1	
	17S-50-01000	前罩 guard, radiator		1
2	01010-50835	螺栓 bolt	2	2
3	01580-10806	螺母 nut	4	4
4	01011-82745	螺栓 bolt	16	16
5	01643-32780	平垫 washer	16	16
6	154-54-12570A	架 bracket	1	1
7	01010-51640	螺栓 bolt	4	4
8	01643-31645	平垫 washer	6	6
9	23Y-50B-00003	帽 cap	4	4
10	17Y-50-00009	垫 washer	8	8
11	17Y-50-00010	垫 washer	4	4
12	17Y-50-00007	垫 washer	4	4
13	17Y-50-00008	垫 washer	2	2
14	01010-51225	螺栓 bolt	4	4
15	01643-31232	平垫 washer	10	10
16	17Y-50-03000	左支架 bracket L.H	1	1
17	17Y-50-04000	右支架 bracket R.H.	1	1
18	01010-51255	螺栓 bolt	6	6
19	17Y-50-00001	垫 washer	4	4
20	17Y-50-00002	垫 washer	2	2
21	17Y-50-02000	盖 cover	1	
	17S-50-02000	盖 cover		1
22	01010-51635	螺栓 bolt	2	2
23	17Y-50-00006	板 plate	1	1
24	01010-51025	螺栓 bolt	2	2
25	01643-31032	平垫 washer	2	2
26	01010-52050	螺栓 bolt	4	4
27	01643-32060	垫圈 washer	4	4
28	23Y-50B-07000	护栅 grill	1	1

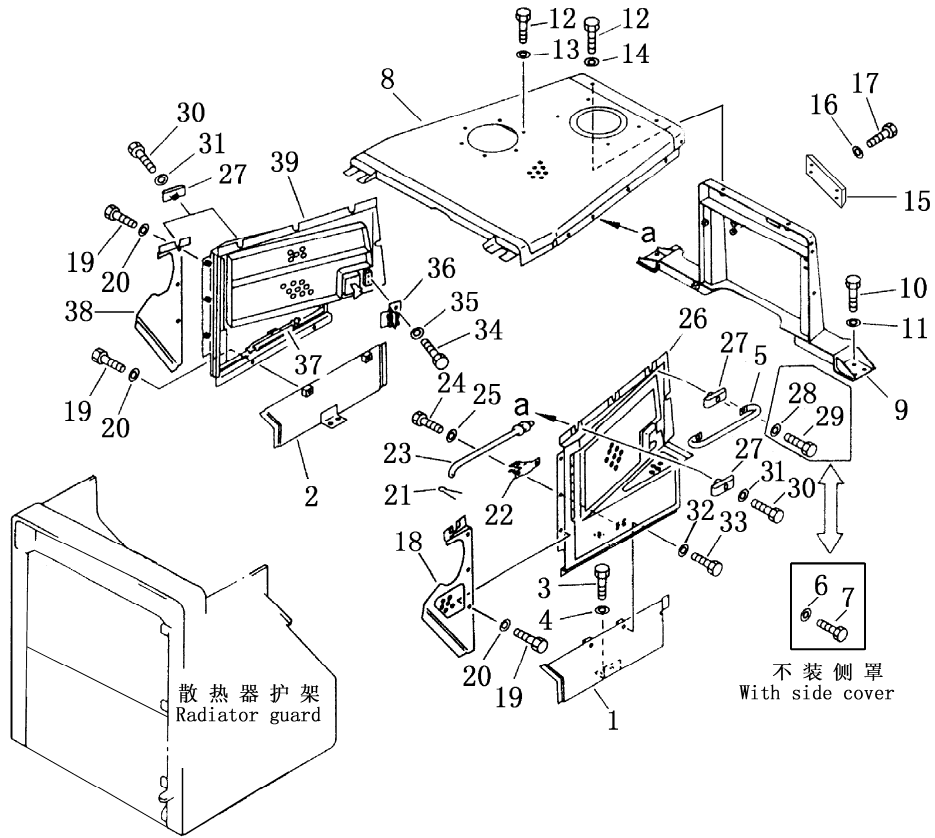
第 502 图 发动机护罩
 FIG. 502 ENGINE HOOD



发动机罩
ENGINE HOOD

序号 Index No.	件号 Part No.	名称 Description	数量 Q'ty		
			SD23 SD23E	SD23R SD23S	SD23D
502-1	17Y-50-13000	左侧盖 cover L.H	1	1	1
2	17Y-50-14000	右侧盖 cover R.H	1	1	1
3	01010-51225	螺栓 M12X35 bolt	4	4	4
4	01643-31232	平垫 12 washer	4	4	4
5	09420-01903	扶手 handle	2	2	2
6	01643-31232	平垫 12 washer	4	4	4
7	01010-51235	螺栓 M12X35 bolt	4	4	4
8	17Y-50-05000	上罩 hood upper	1	1	
	17M-50-05000	上罩 hood upper			1
9	17Y-50B-06000	支架 bracket	1	1	
10	01010-51635	螺栓 M16X35 bolt	8	8	8
11	01643-31645	平垫 16 washer	8	8	8
12	01010-51230	螺栓 M12X30 bolt	10	10	10
13	01643-31232	平垫 12 washer	4	4	4
14	17Y-50-00003	垫 washer	6	6	6
15	17Y-50-00004	板 plate	1	1	1
16	01643-30623	平垫 6 washer	4	4	4
17	01010-50630	螺栓 M6X30 bolt	4	4	4
18	17Y-54-01000	板(左) plate (L.H)	1		1
	17H-54-01000	板(左) plate (L.H)		1	
19	01010-51225	螺栓 M12X2 bolt	6	6	6
20	01643-31232	平垫 12 washer	6	6	6
21	04050-12015	开口销 pin, cotter	2	2	2
22	198-54-19150	卡簧 spring	2	2	2
23	154-54-43240	杆(左) bar, L.H	1	1	1
24	01010-50612	螺栓 M6X12 bolt	4	4	4
25	01643-30623	垫圈 6 washer	4	4	4
26	17H-54-02000	左护罩 cover, guard L.H	1	1	1
27	09462-00080	定位器 locator	10	10	10
28	01643-31232	垫圈 washer	4	4	4
29	01010-51260	螺栓 bolt	4	4	4

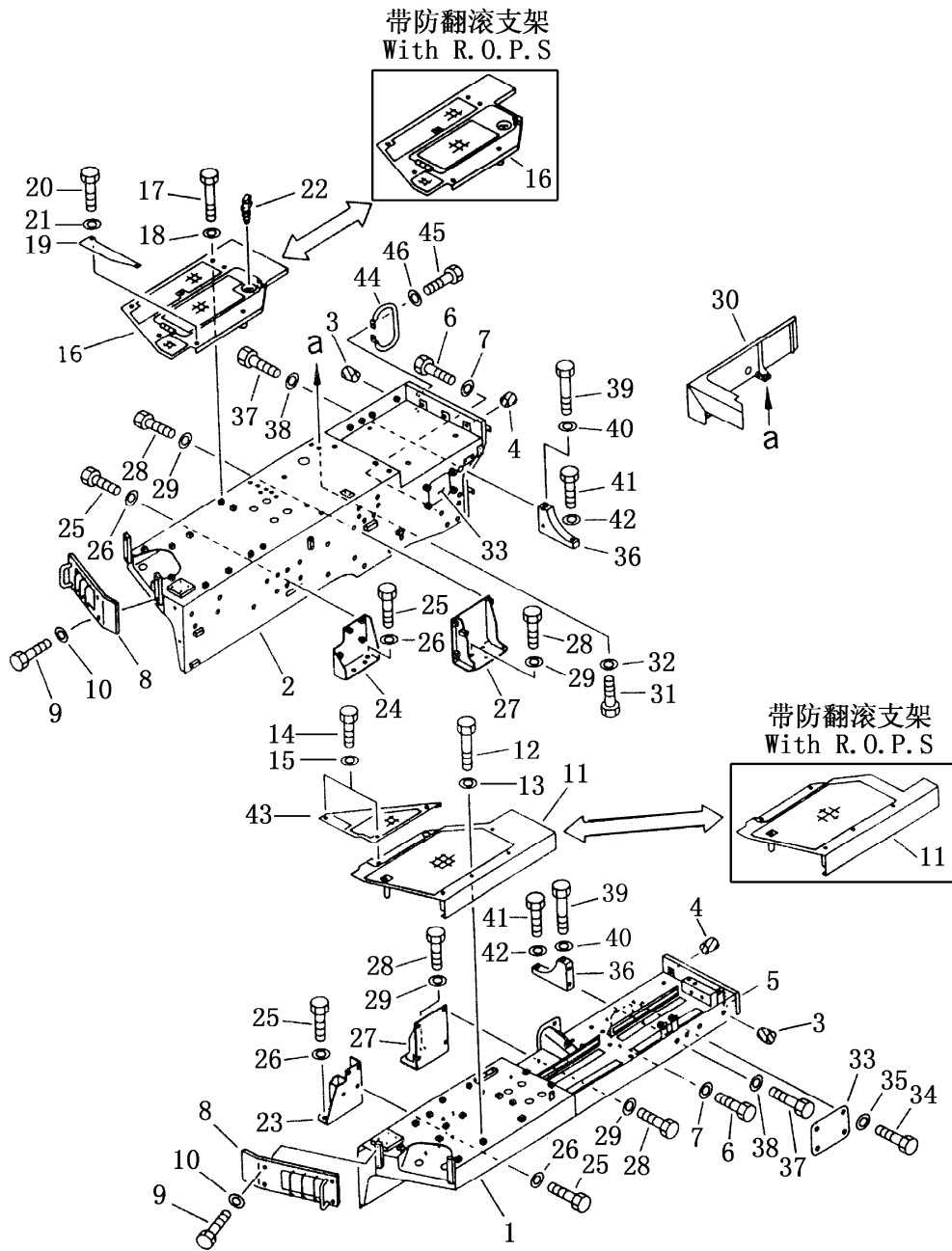
第 502 图 发动机护罩
 FIG. 502 ENGINEHOOD



发动机罩
ENGINEHOOD

序号 Index No.	件 号 Part No.	名 称 Description	数 量 Q' ty		
			SD23 SD23E	SD23R SD23S	SD23D
502-30	01010-51250	螺栓 bolt	6	6	6
31	01643-31232	垫圈 washer	6	6	6
32	01643-31232	垫圈 washer	4	4	4
33	01010-51225	螺栓 bolt	4	4	4
34	01010-51020	螺栓 M10X20 bolt	4	4	4
35	01643-31032	垫圈 10 washer	4	4	4
36	154-54-43200	托架 bracket	2	2	2
37	154-54-43250	杆 (右) bar , R.H	1	1	1
38	17Y-54-02000	板 (右) plate , R.H	1		1
	17H-54-03000	板 (右) plate , R.H		1	
39	17H-54-04000	右护罩 cover , R.H	1	1	1

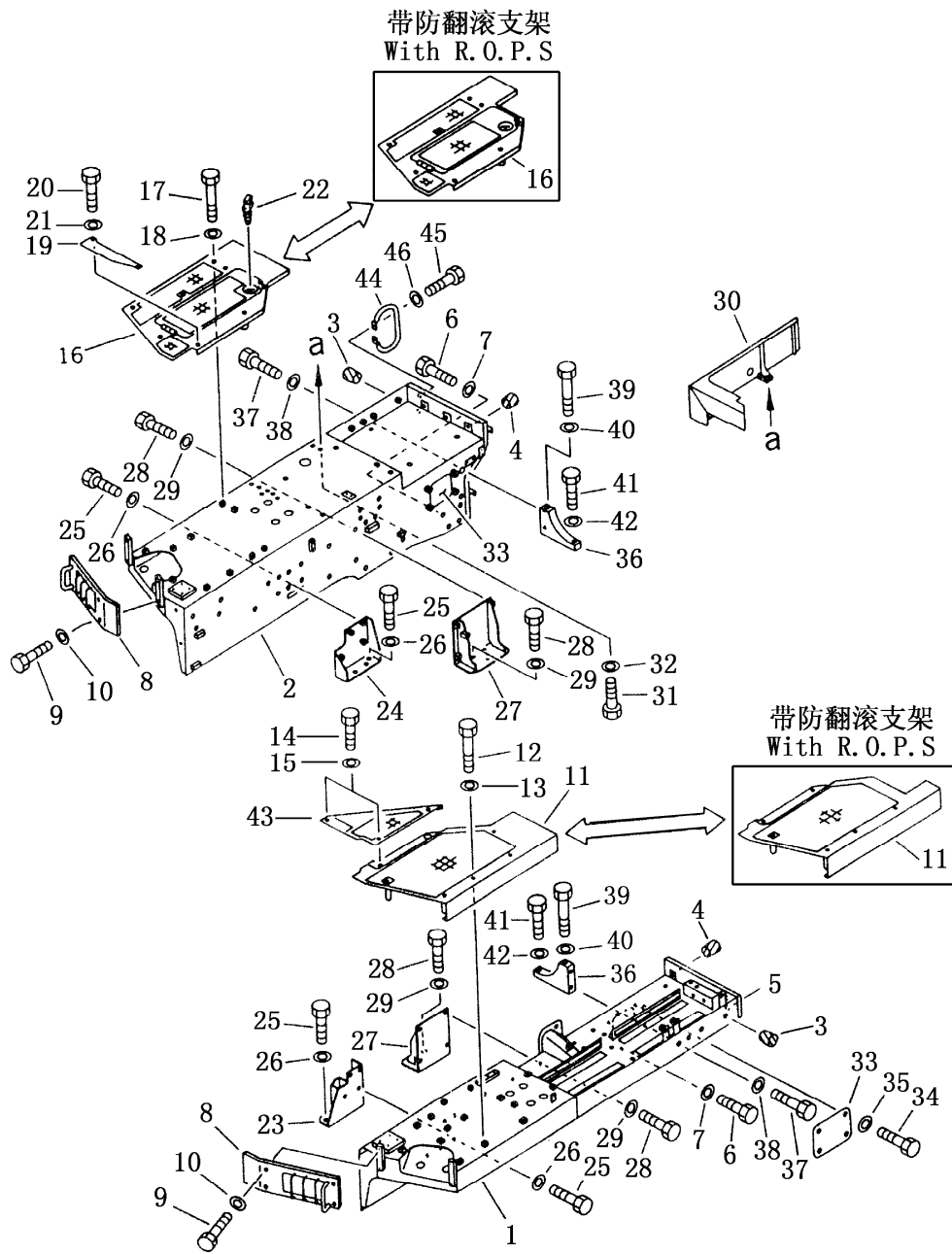
第 503 图 翼板
FIG. 503 FENDER



翼 板
FENDER

序号 Index No.	件 号 Part No.	名 称 Description	数量 Q'ty
503-1	154-54-41732	翼板 (左) fender L.H	1
2	154-54-41742A	翼板 (右) fender R.H	1
3	07049-01620	软木塞 plug	8
4	07049-02430	软木塞 plug	6
5	07049-01822	软木塞 plug	4
6	01010-52050	螺栓 m20×50 bolt	14
7	01643-32060	垫圈 washer	14
8	154-54-41954	盖板 cover	2
9	195-54-43210	螺栓 bolt	8
10	198-54-42280	垫片 washer	8
11	154-54-42251	盖板 (左) (不装防翻支架) cover L.H (without rops)	1
	154-54-42271	盖板 (左) (装防翻支架) cover L.H (with rops)	1
12	01011-51210	螺栓 M12×10 bolt	6
13	01643-31232	垫圈 washer	6
14	01010-51225	螺栓 M12×25 bolt	2
15	01643-31232	垫圈 washer	2
16	154-54-41922A	盖板 (右) (不装防翻支架) cover R.H (without rops)	1
	154-54-42281A	盖板 (右) (装防翻支架) cover R.H (with rops)	1
17	01011-51210	螺栓 M12×10 bolt	6
18	01643-31232	垫圈 washer	6
19	154-54-41942	板 plate	1
20	01010-51225	螺栓 M12×25 bolt	2
21	01643-31232	垫圈 washer	2
22	09459-00000	弹簧销 lock	1
23	154-54-41860	支架 (左) bracket l. h.	1
24	154-54-41850	支架 (右) bracket r. h.	1
25	01010-51640	螺栓 M16×40 bolt	16
26	01643-31645	垫圈 washer	16
27	154-54-42210	支架 bracket	2

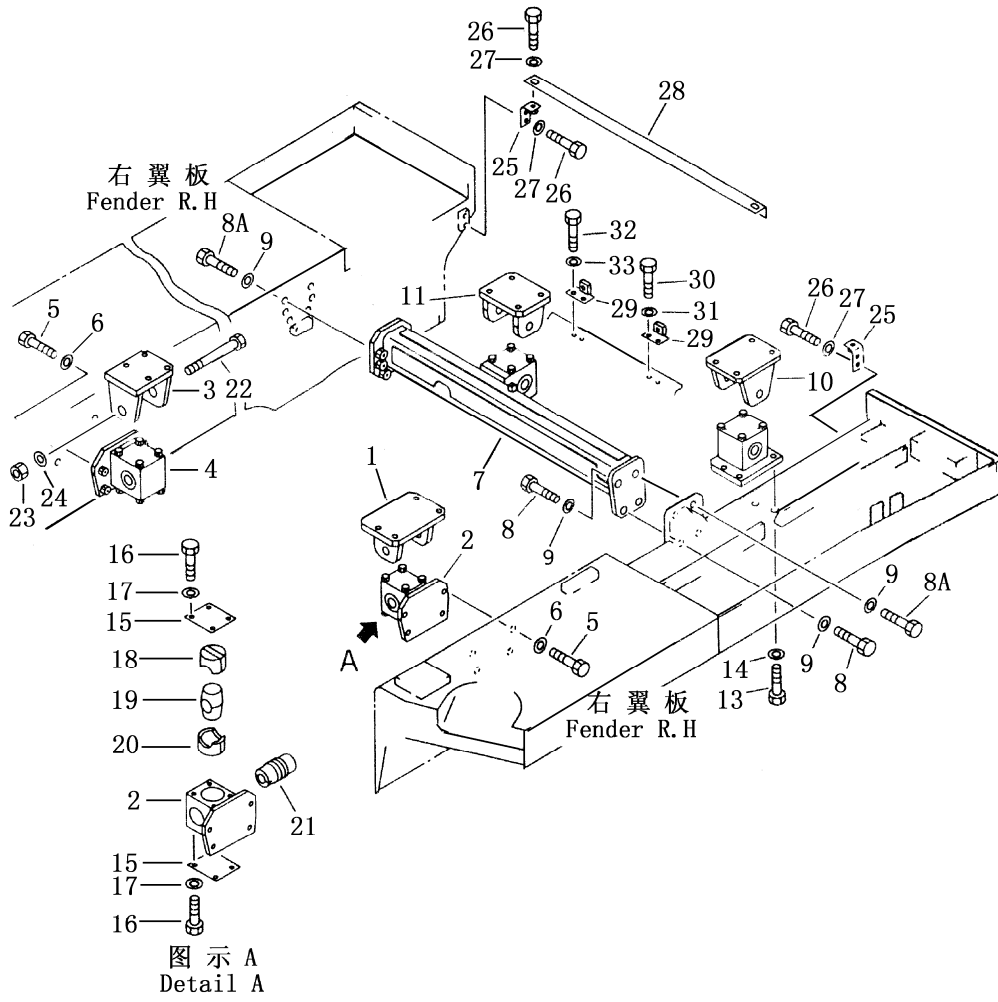
第 503 图 翼板
 FIG. 503 FENDER



翼 板
FENDER

序号 Index No.	件 号 Part No.	名 称 Description	数 量 Q'ty
503-28	01010-51640	螺栓 M16×40 bolt	14
29	01643-31645	垫圈 washer	14
30	154-54-41931	盖 cover	1
31	01010-51230	螺栓 M12×30 bolt	4
32	01643-31232	垫圈 washer	4
33	175-54-22420	盖 cover	2
34	01010-51235	螺栓 M12×35 bolt	8
35	01643-31232	垫圈 washer	8
36	154-54-11970	支架 bracket	2
37	01010-51635	螺栓 M16×35 bolt	4
38	01643-31645	垫圈 washer	4
39	01011-51690	螺栓 M16×90 bolt	2
40	01643-31645	垫圈 washer	2
41	01010-51655	螺栓 M16×55 bolt	2
42	01643-31645	垫圈 washer	2
43	154-54-42260	盖板 cover	1
44	154-54-22990	把手 handle	1
45	01010-51850	螺栓 M18×50 bolt	2
46	01643-31845	垫圈 washer	2

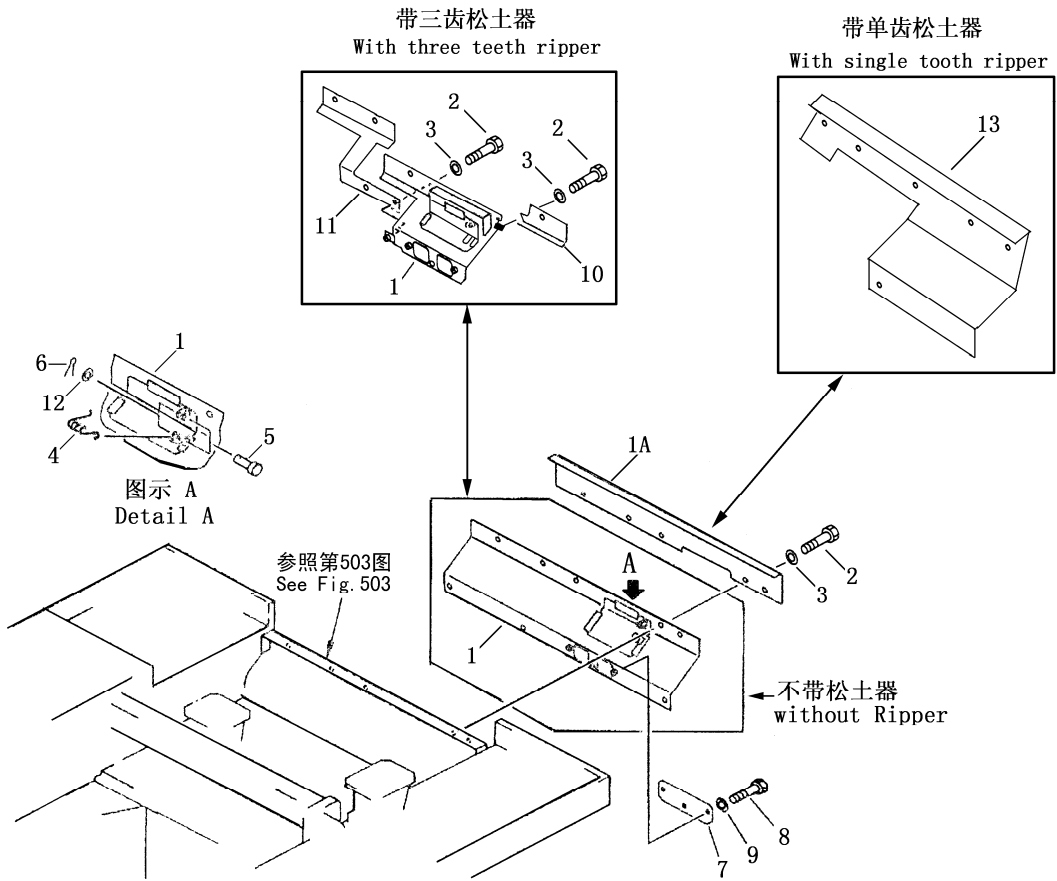
第 504 图 支 承
 FIG. 504 SUPPORT



支 承 SUPPORT

序号 No.	件 号 Part No.	名 称 Description	数量 Q'ty
504-1	154-54-41770	支架 (左) bracket l. h.	1
2	154-54-41830	支架 bracket	1
3	154-54-41780	支架 (右) bracket r. h.	1
4	154-54-41830	支架 bracket	1
5	01010-52045	螺栓 M20×45 bolt	8
6	01643-32060	垫圈 washer	8
7	154-54-41843	支撑 support	1
8	01010-52060	螺栓 M20×60 bolt	3
8A	01010-52045	螺栓 M20×45 bolt	7
9	01643-32060	垫圈 washer	10
10	154-54-41750	支架 (左) bracket l. h.	1
11	154-54-41760	支架 (右) bracket r. h.	1
12	154-54-41820	支架 bracket	1
13	01010-51435	螺栓 M14×35 bolt	4
14	01643-31445	垫圈 washer	4
15	195-56-11320	板 plate	7
16	01010-51230	螺栓 M12×30 bolt	28
17	01643-31232	垫圈 washer	28
18	154-54-42220	橡胶缓冲垫 rubber	4
19	195-54-45490	块 block	4
20	154-54-42220	橡胶缓冲垫 rubber	4
21	195-54-45510	轴环 collar	4
22	175-978-5210	螺栓 bolt	4
23	01580-12722	螺母 nut	4
24	01643-32780	垫圈 washer	4
25	154-54-41351	托架 bracket	2
	17Y-51B-01000	托架(装单齿松土器用)bracket(for single shank ripper)	1
	17Y-51B-02000	托架(装单齿松土器用)bracket(for single shank ripper)	1
26	01010-51230	螺栓 M12×30 bolt	6
27	01643-31232	垫圈 washer	6
28	154-54-41341	转动组件 angle	1
29	154-54-12791	支架 bracket	2
30	01010-51265	螺栓 M12×65 bolt	2
31	01643-31232	垫圈 washer	2
32	01010-51225	螺栓 M12×65 bolt	2
33	01643-31232	垫圈 washer	2

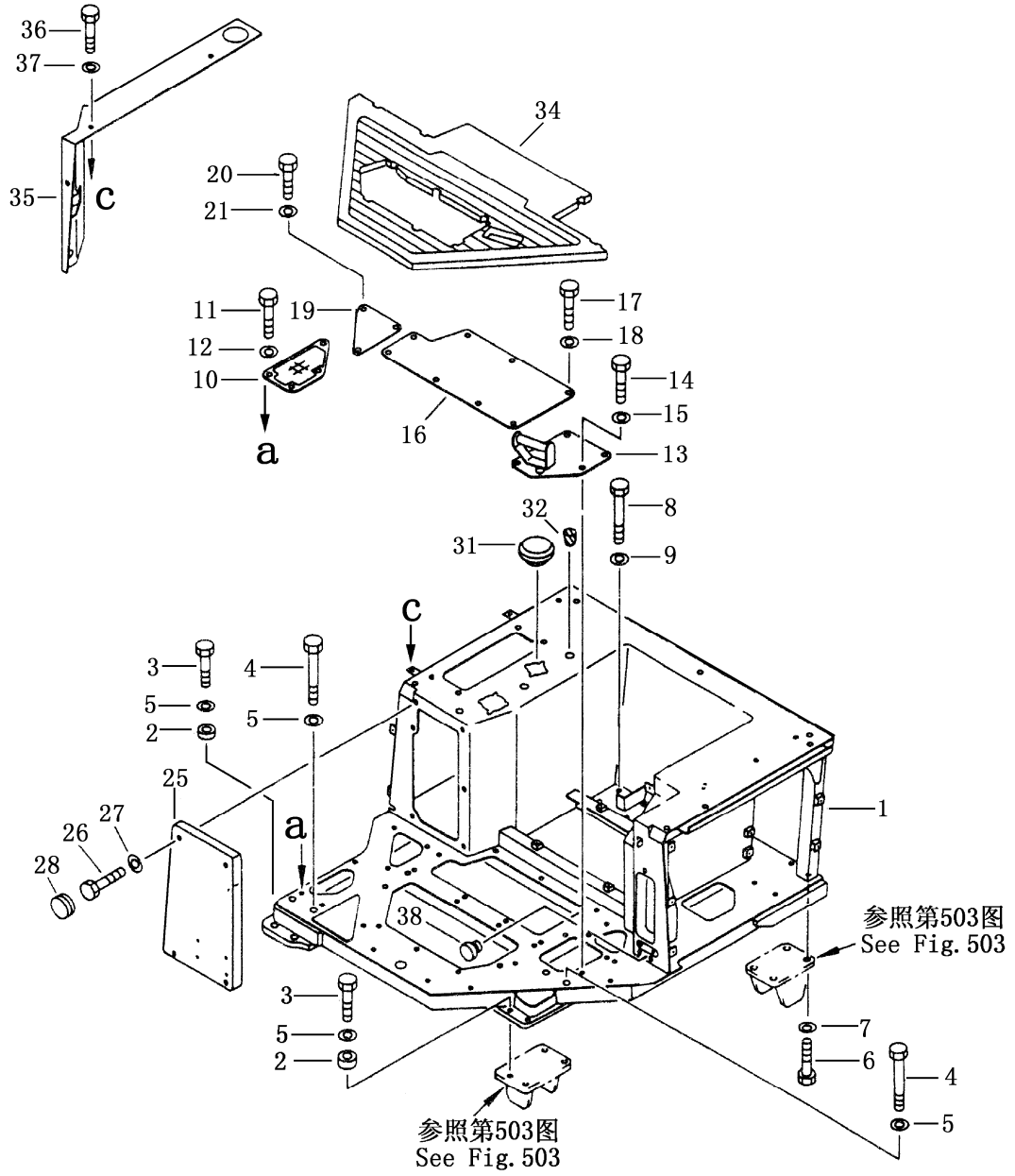
第 505 图 后 盖
 FIG. 505 REAR COVER



后 盖
REAR COVER

序号 Index No.	件 号 Part No.	名 称 Description	数量 Q'ty
505-1	154-54-41311	盖 (带三齿松土器) cover (with three teeth ripper)	1
	154-54-41331	后盖 (不带松土器) cover (without ripper)	1
1A	154-54-41570	盖板 (不带防翻支架) cover (without rops)	1
2	01010-51225	螺栓 m12×25 bolt	8
3	01643-31232	垫圈 washer	8
4	09463-00006	弹簧 spring	1
5	04205-10620	销轴 pin	2
6	04050-11610	开口销 pin cotter	2
7	154-54-41360	盖 cover	1
8	01010-51225	螺栓 m12×25 bolt	3
9	01643-31232	垫圈 washer	3
10	154-54-41450	盖 (左) cover l. h.	1
11	154-54-41321	盖 (右) cover r. h.	1
12	01641-20608	垫圈 washer	2
13	17Y-51B-00001	盖 (带单齿松土器) cover (with single tooth ripper)	1

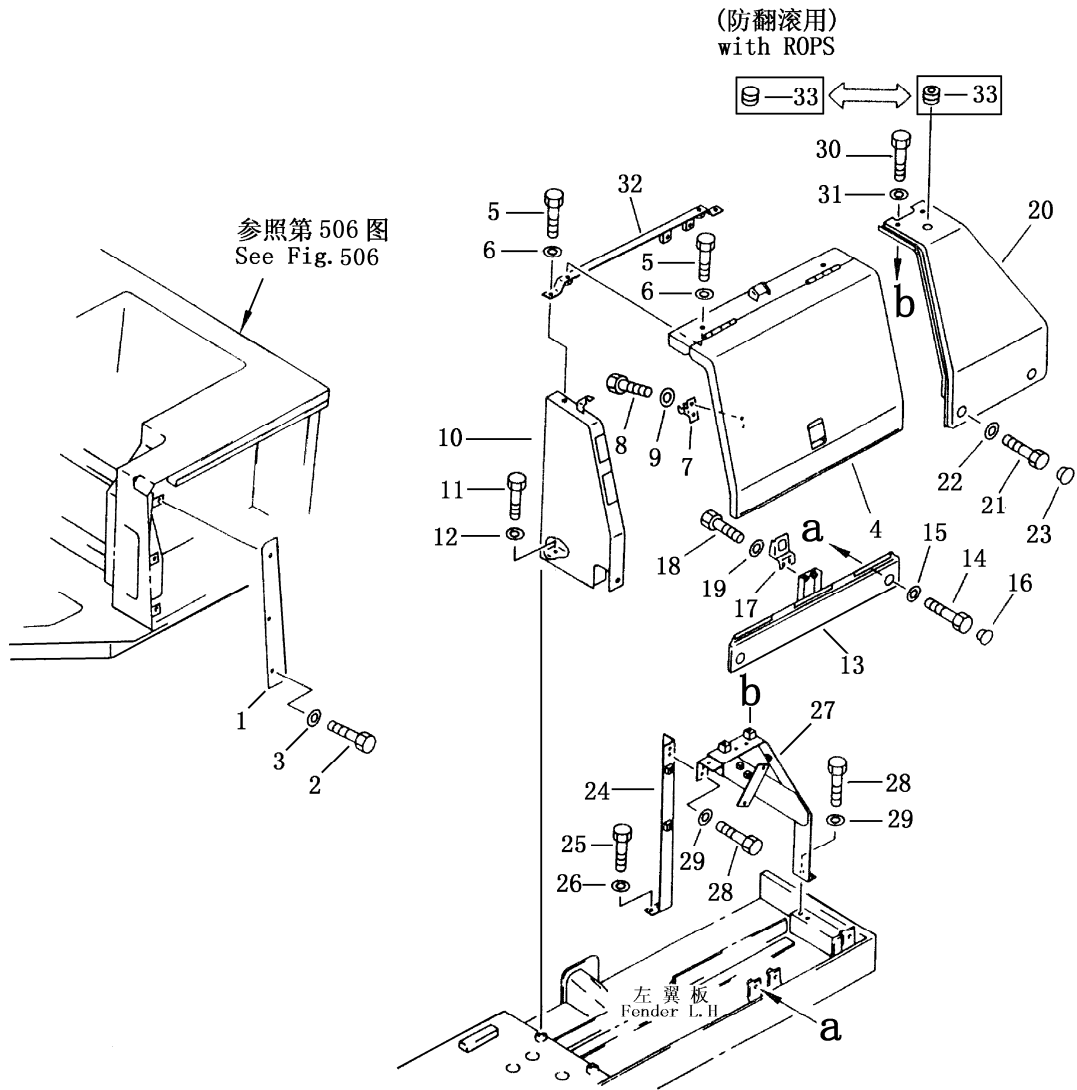
第 506 图 地板架
 FIG. 506 FLOOR PLATE



地 板 架
FLOOR PLATE

序号 Index No.	件 号 Part No.	名 称 Description	数量 Q'ty
506-1	154-54-41720B	地板架 frame floor (without cab)	1
2	198-38-12460	垫 spacer	4
3	01010-51450	螺栓 M14×50 bolt	4
4	01011-51405	螺栓 M14×105 bolt	4
5	01643-31445	垫圈 washer	8
6	01010-51440	螺栓 M14×40 bolt	4
7	01643-31445	垫圈 washer	4
8	01011-51410	螺栓 M14×110 bolt	4
9	01643-31445	垫圈 washer	4
10	154-54-42190	盖板 cover	1
11	01010-51230	螺栓 M12×30 bolt	4
12	01643-31232	垫圈 washer	4
13	154-54-41810	盖板 cover	1
14	01010-51225	螺栓 M12×25 bolt	4
15	01643-31232	垫圈 washer	4
16	154-54-41790	盖板 cover	1
17	01010-51225	螺栓 M12×30 bolt	8
18	01643-31232	垫圈 washer	8
19	154-54-42160	盖板 cover	1
20	01010-51230	螺栓 M6×20 bolt	3
21	01643-31232	垫圈 washer	3
25	154-54-46730A	盖板 cover	1
26	01010-51225	螺栓 M12×25 bolt	6
27	01643-31232	垫圈 washer	6
28	09415-02512	盖板 cap	6
31	195-54-45460	盖板 cap	1
32	09415-01610	盖板 cap	1
34	154-Z11-1210	垫 mat	1
35	154-54-41280	盖板 cover	1
36	01010-51225	螺栓 m12×25 bolt	4
37	01643-31232	垫圈 washer	4
38	203-54-32260	挡块 stopper	2

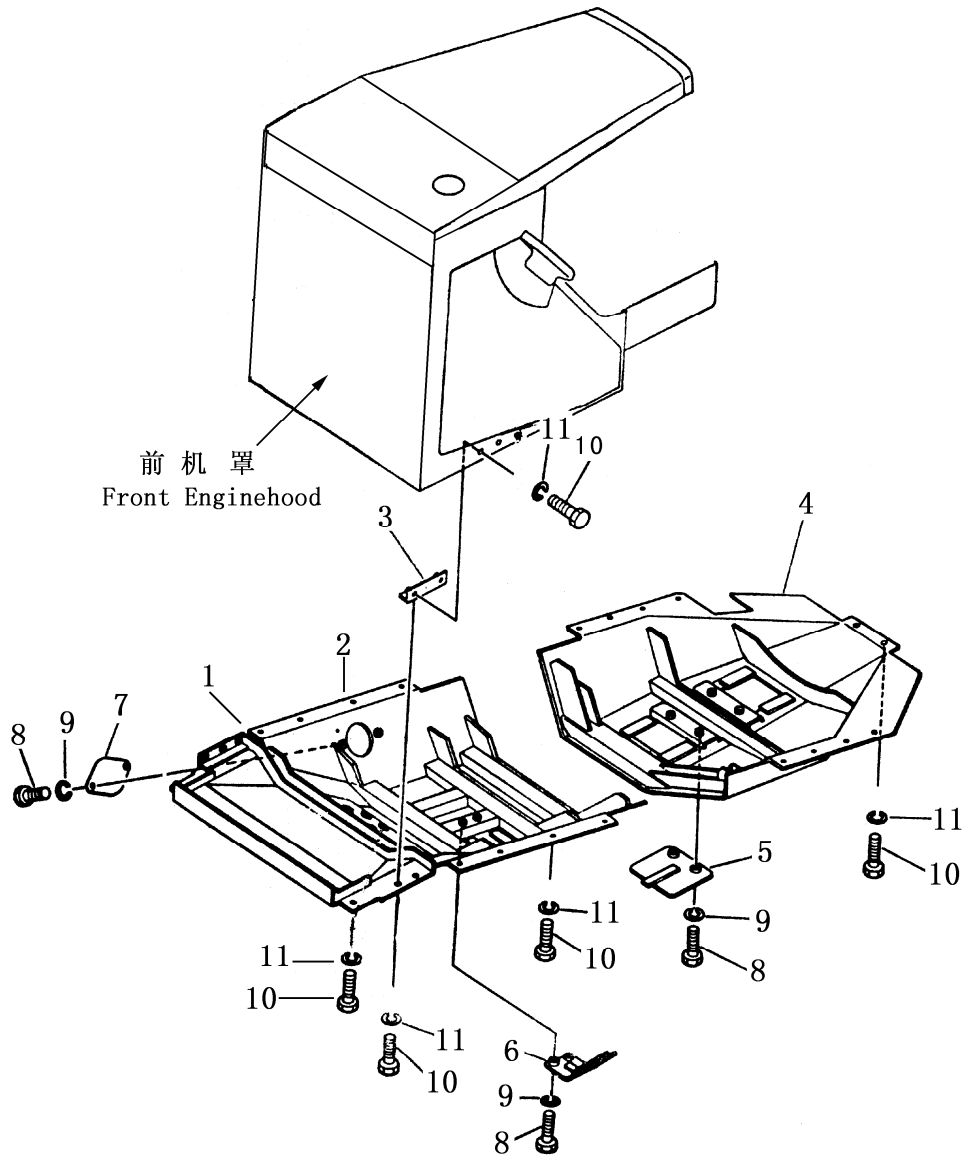
第 507 图 蓄电池罩
 FIG. 507 BATTERY COVER



蓄电池罩
BATTERY COVER

序号 Index No.	件号 Part No.	名称 Description	数量 Q'ty
507-1	154-54-46210	盖 cover	1
2	01010-51225	螺栓 bolt	2
3	01643-31232	垫圈 washer	3
4	154-54-46750	罩 cover	1
5	01010-51230	螺栓 bolt	4
6	01643-31232	垫圈 washer	4
7	198-54-19150	卡簧 spring	1
8	01010-50612	螺栓 bolt	2
9	01643-30623	垫圈 washer	2
10	154-54-46132	架 frame	1
11	01010-51230	螺栓 bolt	2
12	01643-31232	垫圈 washer	2
13	154-54-46121	盖 cover	1
14	01010-51230	螺栓 bolt	2
15	01643-31232	垫圈 washer	2
16	198-54-41941	帽 cap	2
17	154-54-46150	支架 bracket ass'y	1
18	01010-51230	螺栓 bolt	2
19	01643-31032	垫圈 washer	2
20	154-54-46172	盖 cover	1
21	01010-51230	螺栓 bolt	2
22	124-54-26540	垫圈 washer	2
23	198-54-41941	帽 cap	2
24	154-54-46140	支架 bracket	1
25	01010-51230	螺栓 bolt	2
26	01643-31232	垫圈 washer	2
27	154-54-46161	支架 bracket	1
28	01010-51230	螺栓 bolt	4
29	01643-31232	垫圈 washer	4
30	195-54-43210	螺栓 bolt	4
31	198-54-42280	垫圈 washer	4
32	154-54-46220	支架 bracket	1
33	08037-02512	环 grommet	1
	09415-02512	盖(防翻滚用) cap (with rops)	1

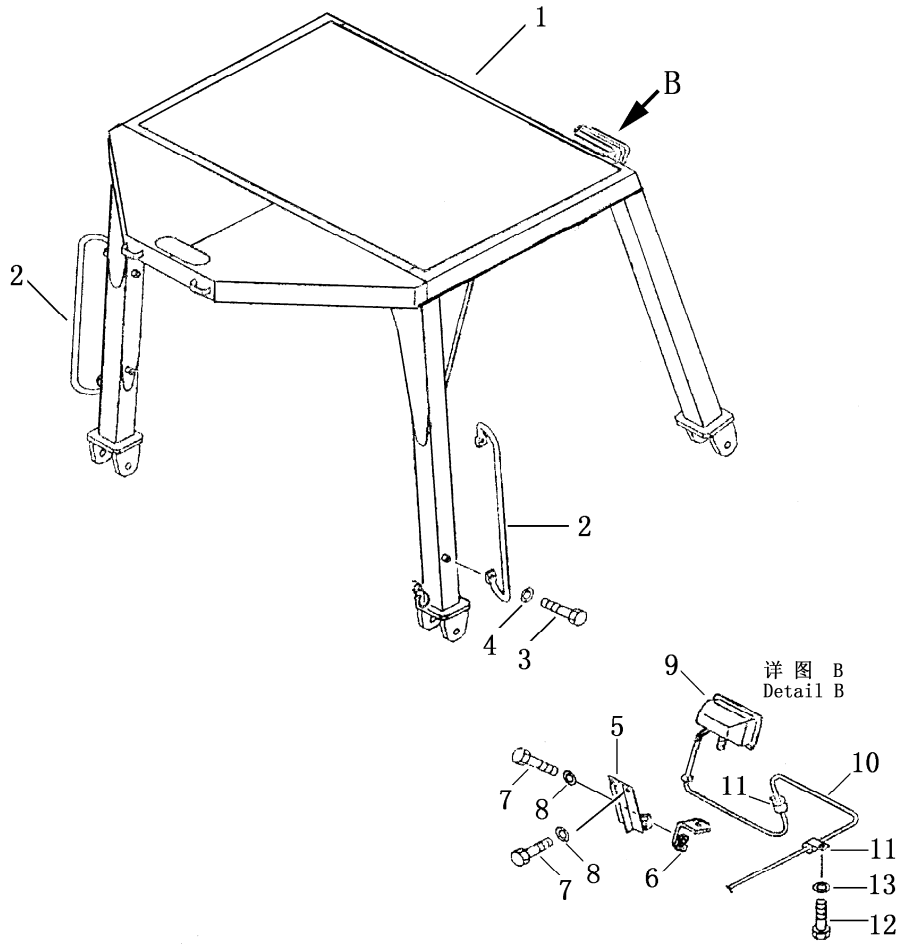
第 508 图 底 护 板
FIG. 508 BOTTOM GUARD



底 护 板
BOTTOM GUARD

序号 Index No.	件 号 Part No.	名 称 Description	数 量 Q' ty	
			SD23 SD23E SD23D	SD23R SD23S
508-1	17Y-52-10000	前底护罩 cover, front	1	
	17S-52-01000	前底护罩 cover, front		1
2	154-54-12117A	中底护罩 cover	1	
	17S-52-02000	中底护罩 cover		1
3	154-54-12570A	架 bracket	1	
4	154-54-12125	后底护罩 cover, rear	1	
	154-55-31330	后底护罩 cover, rear		1
5	154-54-12182	盖 cover	2	
	154-55-31350	盖 cover		2
6	154-54-12164A	盖 cover	1	
	154-54-45190	盖 cover		1
7	154-54-12850	板 plate	1	
	TS220. 54. 8-2	板 plate		1
8	01010-51230	螺栓 M12X30 bolt	8	8
9	01602-21236	垫圈 12 washer	8	8
10	01010-52050	螺栓 M20X50 bolt	24	21
11	01643-32060	垫圈 20 washer	24	21

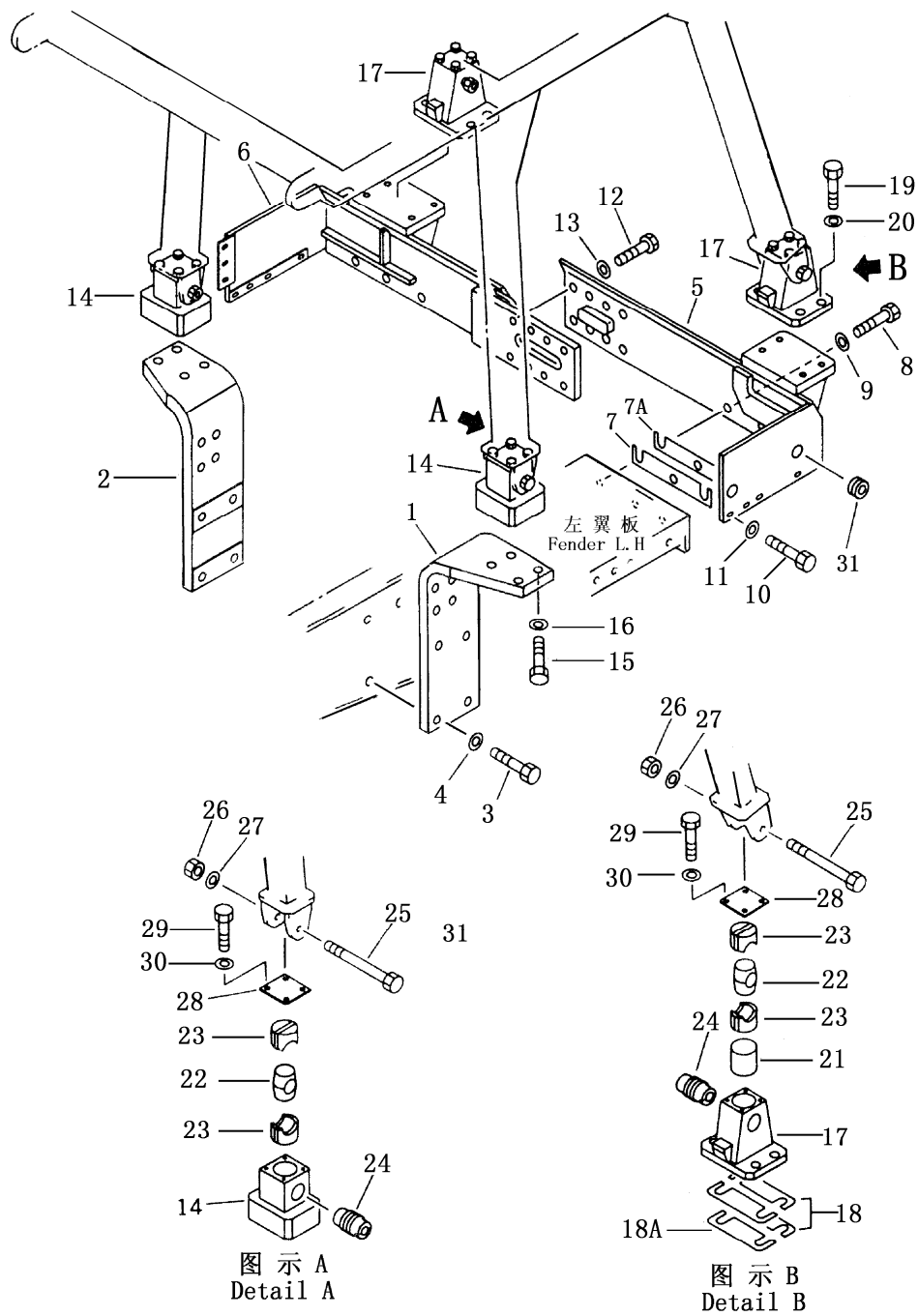
第 509 图 防 翻 滚 架
FIG. 509 ROLL OVER PROTECTIVE STRUCTURE



防 翻 滚 架
ROLL OVER PROTECTIVE STRUCTURE

序号 Index No.	件 号 Part No.	名 称 Description	数量 Q'ty
509-1	17Y-59-10000	防翻滚架 guard	1
2	09420-01907	扶手 handrail	2
3	01010-51230	螺栓 m12×30 bolt	4
4	01643-31232	垫圈 washer	4
5	154-06-41310	支架 bracket	1
6	154-06-41330	支架 bracket	1
7	01010-51230	螺栓 m12×30 bolt	4
8	01643-31232	垫圈 washer	4
9	17Y-07-00001	灯 lamp	1
10	154-06-41320	导线 wire harness	1
11	08035-01510	夹子 clip	7
12	01010-51016	螺栓 bolt	7
13	01643-31032	垫圈 washer	7

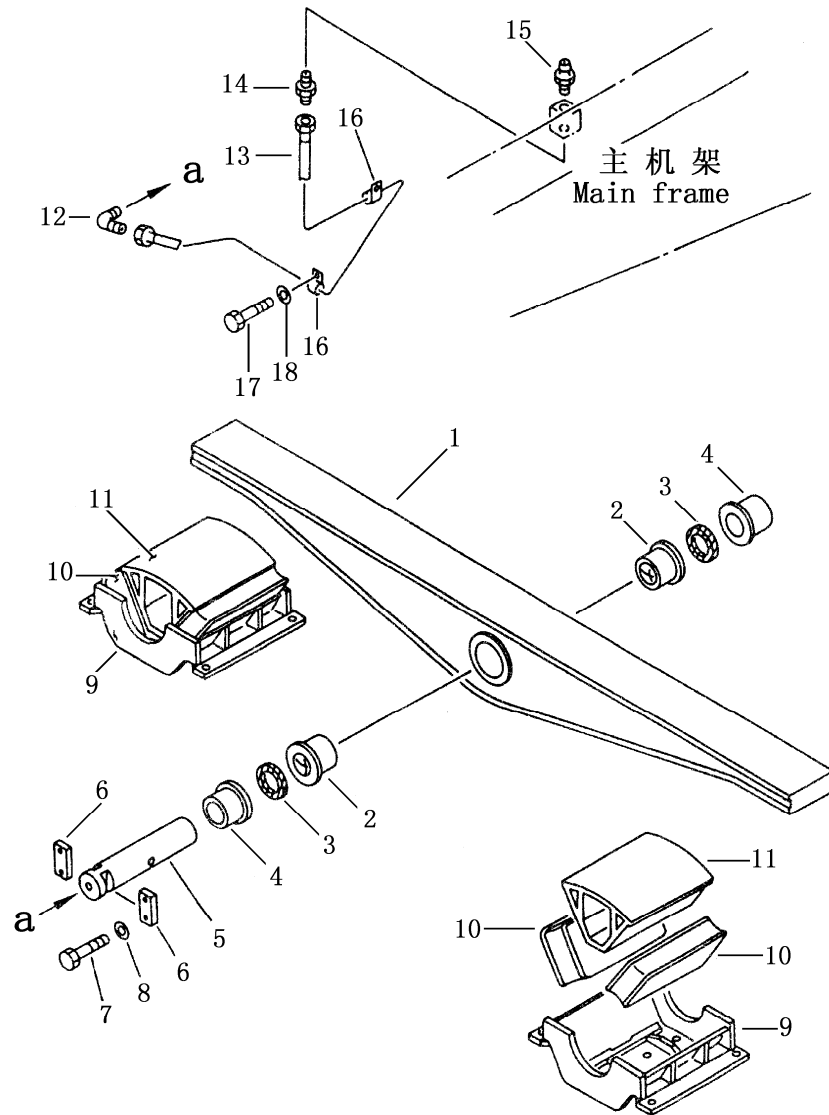
第 510 图 防 翻 滚 架 安 装
 FIG. 510 ROLLOVER PROTECTIVE STRUCTURE BRACKET



防 翻 滚 架 安 装
 ROLLOVER PROTECTIVE STRUCTURE BRACKET

序号 Index No.	件 号 Part No.	名 称 Description	数量 Q'ty
510-1	154-978-3130	板 (左) plate l.h.	1
2	154-978-3140	板 (右) plate r.h.	1
3	01011-83010	螺栓 bolt	8
4	01643-33080	垫圈 washer	8
5	154-978-3282	支架 (左) steadier l.h.	1
6	154-978-3292	支架 (右) steadier r.h.	1
7	154-978-3252	调整垫 shim, adjusting	10
7A	154-978-3262	调整垫 shim, adjusting	4
8	01010-82770	螺栓 bolt	8
9	01643-32780	垫圈 washer	8
10	01010-81655	螺栓 bolt	8
11	21T-54-16150	垫圈 washer	8
12	01010-82770	螺栓 bolt	6
13	01643-32780	垫圈 washer	6
14	154-978-3161	支架 bracket	2
15	01011-83010	螺栓 bolt	8
16	01643-33080	垫圈 washer	8
17	154-978-3310	支架 steadier	2
18	175-978-1260	调整垫 shim, adjusting	4
18A	175-978-1250	调整垫 shim, adjusting	2
19	01010-82465	螺栓 bolt	8
20	01643-32460	垫圈 washer	8
21	154-978-3171	座 pedestal	2
22	195-54-45490	块 block	4
23	154-54-42220	橡胶 rubber	8
24	195-54-45510	环 ring	4
25	175-978-5210	螺栓 bolt	4
26	01580-12722	螺母 nut	4
27	01643-32780	垫圈 washer	4
28	195-56-11320	板 plate	4
29	01010-51230	螺栓 bolt	16
30	01643-31232	垫圈 washer	16
31	154-978-3331	盖 cover	2

第 511 图 平衡梁
 FIG. 511 EQUALIZER BAR

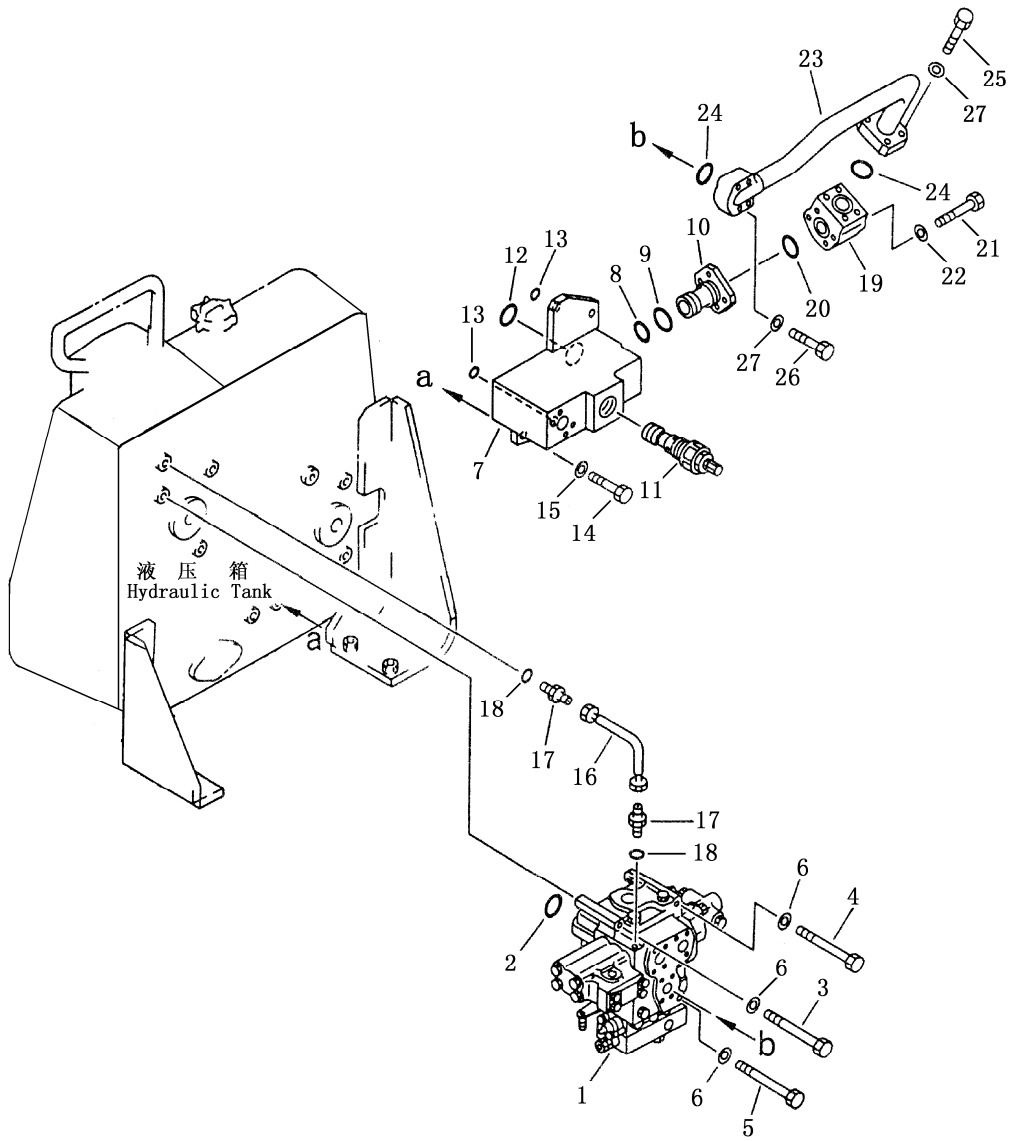


平 衡 梁
EQUALIZER BAR

序号 Index No.	件 号 Part No.	名 称 Description	数 量 Q'ty		
			SD23	SD23E SD23D	SD23S SD23R
511-1	154-50-41110	平衡梁 bar equalizer	1	1	
	154-50-41210	平衡梁 bar equalizer			1
2	154-50-11164	衬套 bushing	2	2	2
3	154-50-11250	防尘圈 seal dust	2	2	2
4	154-50-11171	衬套 bushing	2	2	2
5	154-50-11135	中心销 pin center	1	1	1
6	04082-00616	挡板 plate, stopper	2	2	2
7	01010-51640	螺栓 bolt	4	4	4
8	01643-31645	垫圈 washer	4	4	4
9	154-50-11152	支架 steadier	2	2	2
10	154-50-11193	缓冲块 block, buffering	4	4	4
11	154-50-11123	座 pedestal	2	2	2
12	07217-50510	接头 joint	1	1	1
13	154-50-41120	管 tube	1	1	
	154-50-41220	管 tube			1
14	07213-50510	接头 joint	1	1	1
15	07020-01018	油杯 fitting grease	1	1	1
16	08036-10814	线夹 clip	2	2	2
17	01010-51016	螺栓 bolt	2	2	2
18	01643-31032	垫圈 washer	2	2	2

工 作 装 置 控 制 系 统
WORK EQUIPMENT CONTROL SYSTEM

第 601 图 工作阀安装
FIG. 601 WORK VALVE MOUNT



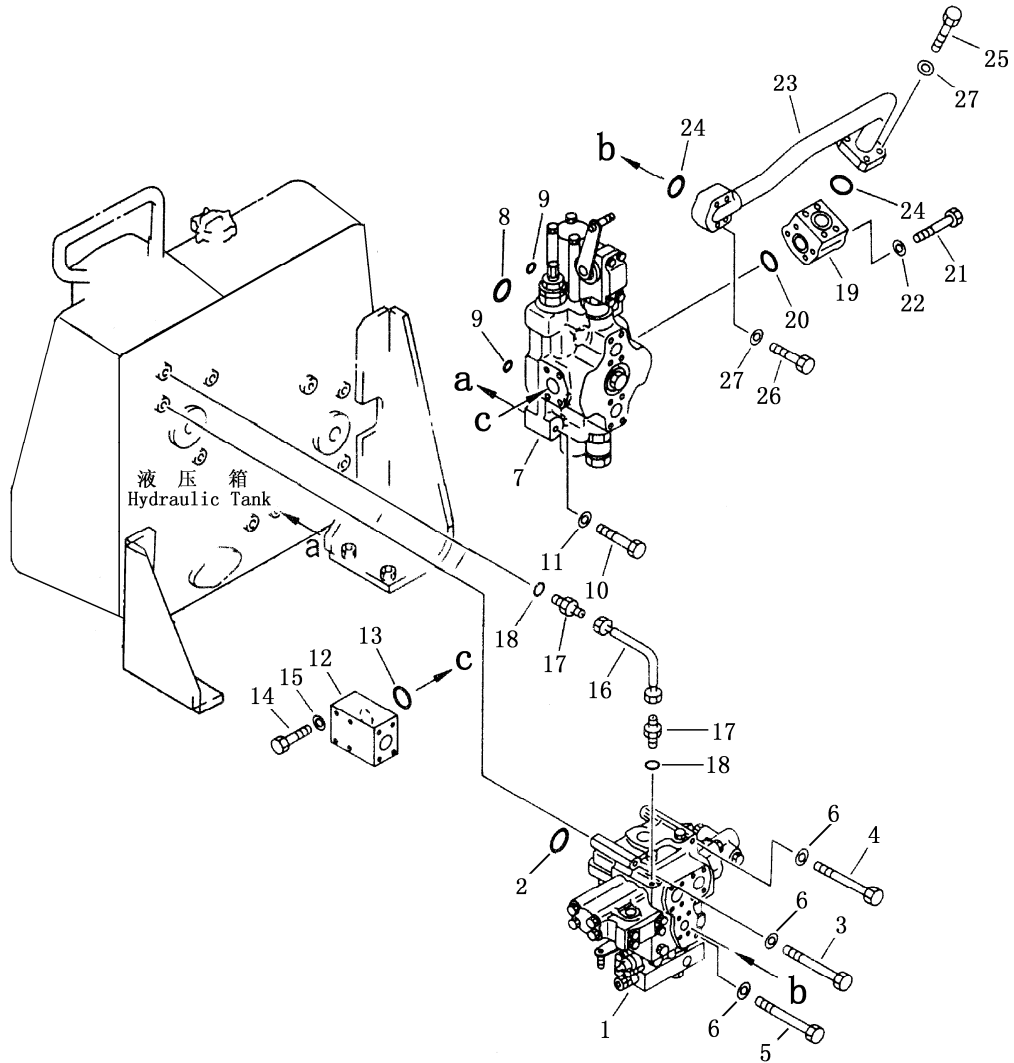
工作阀安装
WORK VALVE MOUNT

序号 Index No.	件号 Part No.	名称 Description	数量 Q'ty
601-1	709-62-31103	阀总成 valve ass'y	1
2	07000-03038	O型圈 O-ring	1
3	01011-51215	螺栓 bolt	1
4	01011-51235	螺栓 bolt	1
5	01011-51280	螺栓 bolt	1
6	01643-31232	垫圈 washer	3
	154-60-71300	溢流阀总成 relief valve ass'y	1
7	154-60-71350	阀块 block	1
8	07000-03035	O型圈 O-ring	1
9	07000-13032	O型圈 O-ring	1
10	700-91-11650	法兰 flange	1
11	709-905-1500	溢流阀总成 relief valve ass'y	1
12	07000-03035	O型圈 O-ring	1
13	07000-02011	O型圈 O-ring	2
14	01010-51230	螺栓 bolt	3
15	01643-31232	垫圈 washer	3
16	20Y-970-1670	软管 tube	1
17	22X-61-18550	接头 joint	2
18	07002-01423	O型圈 O-ring	2
19	154-60-71240	座 pedestal	1
20	07000-13035	O型圈 O-ring	1
21	01010-51080	螺栓 bolt	4
22	01643-51032	垫圈 washer	4
23	154-60-71230	管 tube	1
24	07000-13035	O型圈 O-ring	2
25	01010-51040	螺栓 bolt	4
26	01010-51060	螺栓 bolt	4
27	01643-51032	垫圈 washer	8

第 602 图

工作阀安装 (带三齿松土器)

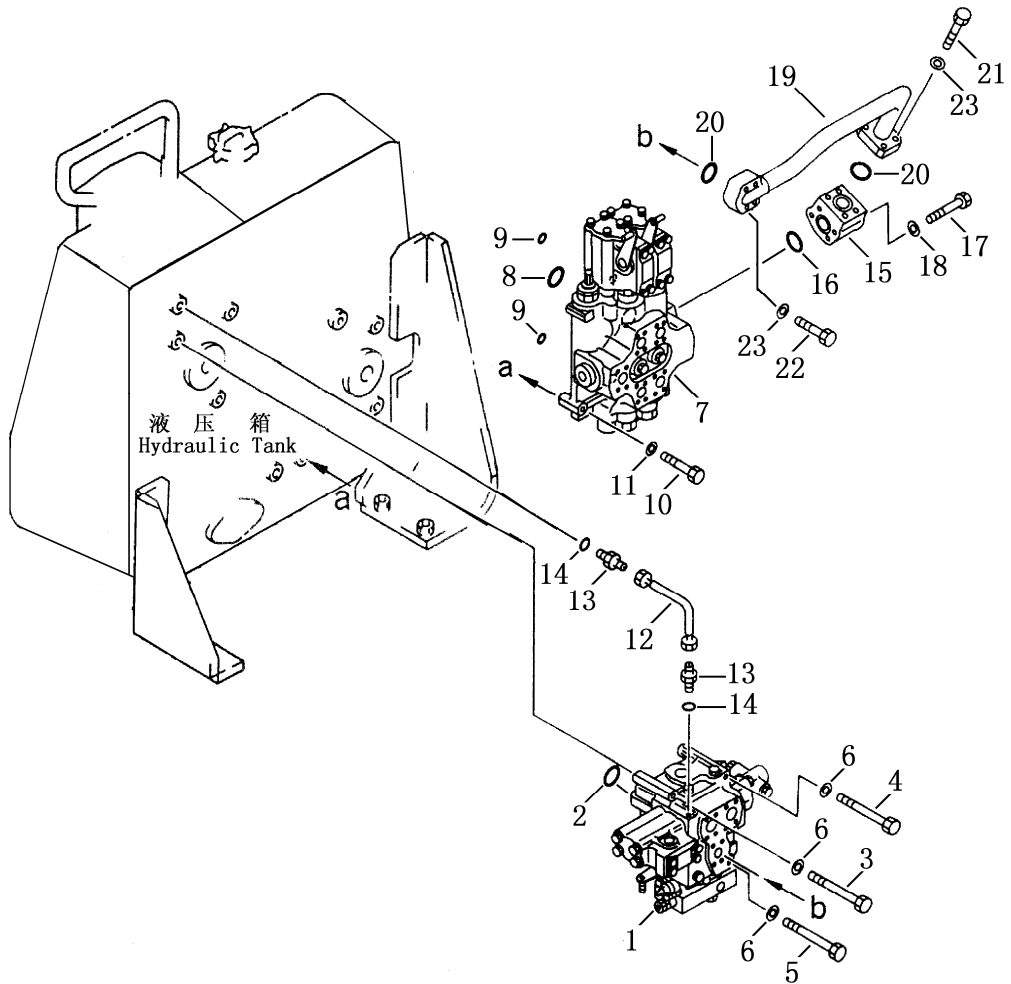
FIG. 602 WORK VALVE MOUNT (WITH THREE SHANK RIPPER)



工作阀安装（带三齿松土器）
WORK VALVE MOUNT（WITH THREE SHANK RIPPER）

序号 Index No.	件号 Part No.	名称 Description	数量 Q'ty
602-1	709-62-31103	阀总成 valve ass'y	1
2	07000-03038	O型圈 O-ring	1
3	01011-51215	螺栓 bolt	1
4	01011-51235	螺栓 bolt	1
5	01011-51280	螺栓 bolt	1
6	01643-31232	垫圈 washer	3
7	700-91-38002	阀总成 valve ass'y	1
8	07000-03035	O型圈 O-ring	1
9	07000-02011	O型圈 O-ring	2
10	01010-51280	螺栓 bolt	3
11	01643-31232	垫圈 washer	3
12	154-78-46110	座 pedestal	1
13	07000-13035	O型圈 O-ring	1
14	01010-51070	螺栓 bolt	4
15	01643-31032	垫圈 washer	4
16	20Y-970-1670	软管 hose	1
17	22X-61-18550	接头 joint	2
18	07002-01423	O型圈 O-ring	2
19	154-60-71240	座 pedestal	1
20	07000-13035	O型圈 O-ring	1
21	01010-51080	螺栓 bolt	4
22	01643-51032	垫圈 washer	4
23	154-60-71230	管 tube	1
24	07000-13035	O型圈 O-ring	2
25	01010-51040	螺栓 bolt	4
26	01010-51060	螺栓 bolt	4
27	01643-51032	垫圈 washer	8

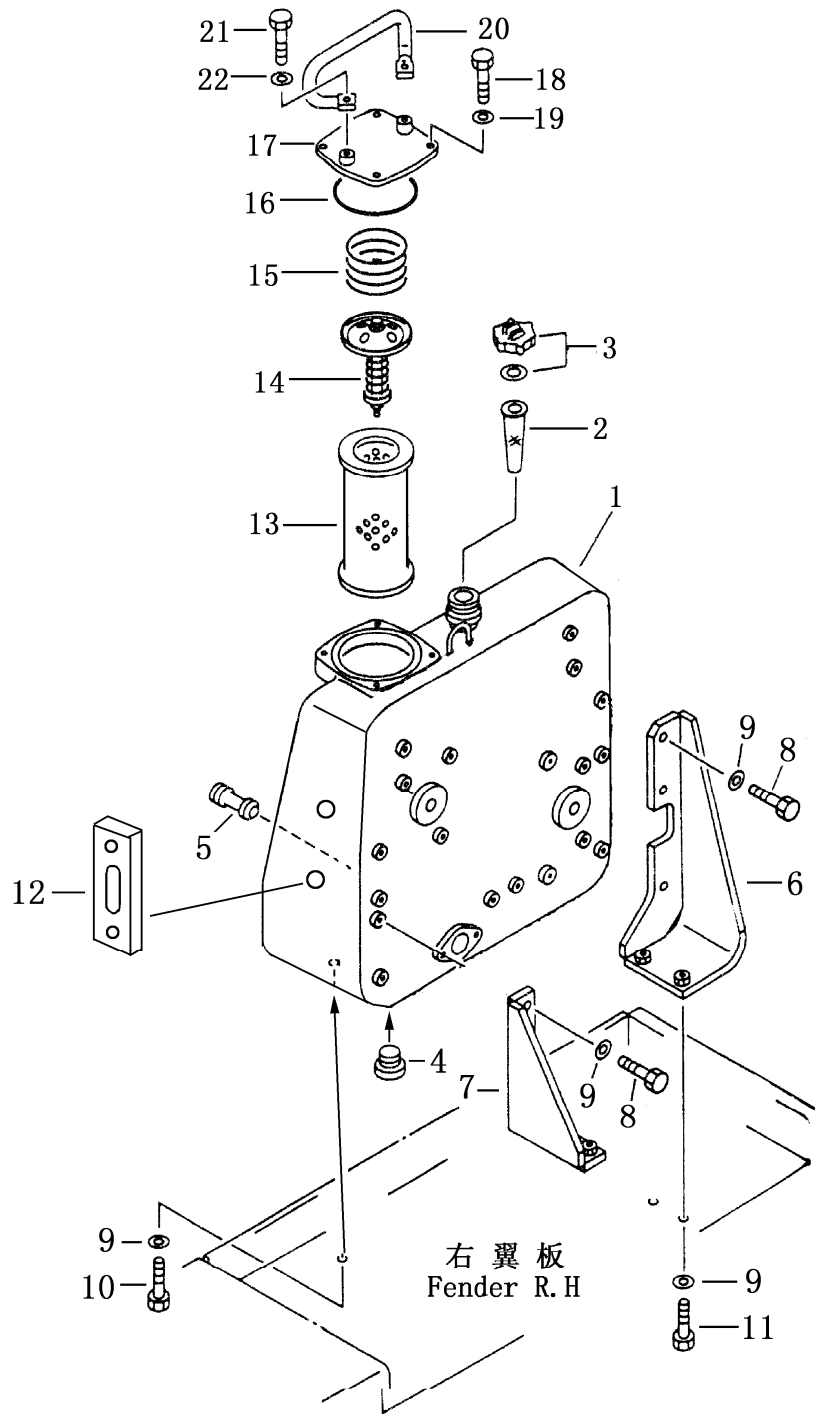
第 603 图 工作阀安装（带单齿松土器）
 FIG. 603 WORK EQUIPMENT VALVE MOUNT
 (WITH SINGLE SHANK RIPPER)



工作阀安装（带单齿松土器）
WORK EQUIPMENT VALVE MOUNT
(WITH SINGLE SHANK RIPPER)

序号 Index No.	件号 Part No.	名称 Description	数量 Q'ty
603-1	709-62-31103	阀总成 valve ass'y	1
2	07000-03038	O型圈 O-ring	1
3	01011-51215	螺栓 bolt	1
4	01011-51235	螺栓 bolt	1
5	01011-51280	螺栓 bolt	1
6	01643-31232	垫圈 washer	3
7	709-62-27002	阀总成 valve ass'y	1
8	07000-03035	O型圈 O-ring	1
9	07000-02011	O型圈 O-ring	2
10	01010-51280	螺栓 bolt	3
11	01643-31232	垫圈 washer	3
12	20Y-970-1670	软管 hose	1
13	22X-61-18550	接头 joint	2
14	07002-01423	O型圈 O-ring	2
15	154-60-71240	弯头 elbow	1
16	07000-13035	O型圈 O-ring	1
17	01010-51080	螺栓 bolt	4
18	01643-51032	垫圈 washer	4
19	154-60-71230	管 tube	1
20	07000-13035	O型圈 O-ring	2
21	01010-51040	螺栓 bolt	4
22	01010-51060	螺栓 bolt	4
23	01643-51032	垫圈 washer	8

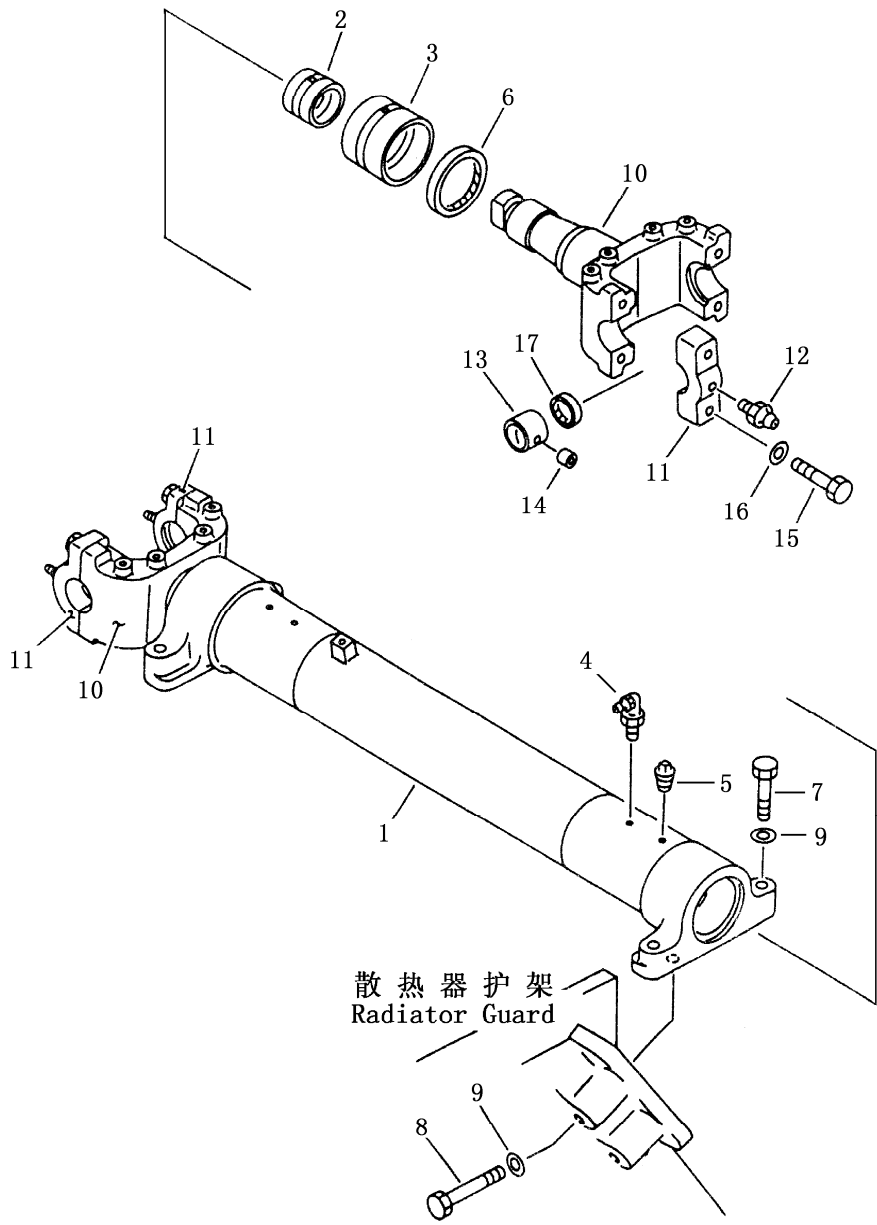
第 604 图 液 压 油 箱
 FIG. 604 HYDRAULIC TANK



液 压 油 箱
HYDRAULIC TANK

序号 Index No.	件 号 Part No.	名 称 Description	数量 Q'ty
604-1	17Y-60B-01000	工作油箱 hydraulic tank	1
2	07056-10045	滤网 strainer	1
3	07051-00000	盖 cap	1
3	07051-00003	垫 gasket	1
4	07040-13618	放油塞 plug	1
5	195-60-41240	阀 valve	1
6	154-60-71170	支架 bracket	1
7	154-60-71180	支架 bracket	1
8	01010-51640	螺栓 bolt	5
9	01643-31645	垫圈 washer	11
10	01010-51640	螺栓 bolt	2
11	01010-51645	螺栓 bolt	4
12	17Y-60B-02000	液位计 liquidometer	1
13	07063-01100	滤芯 element	1
14	175-60-27300	阀总成 valve ass'y	1
15	175-60-27340	弹簧 spring	1
16	07000-05150	O 型圈 O-ring	1
17	154-60-71330	盖 cap	1
18	01010-51225	螺栓 bolt	4
19	01643-31232	垫圈 washer	4
20	154-60-71320	扶手 handrail	1
21	01010-51225	螺栓 bolt	2
22	01643-31232	垫圈 washer	2

第 605 图 油缸支架
FIG. 605 CYLINDER STAY

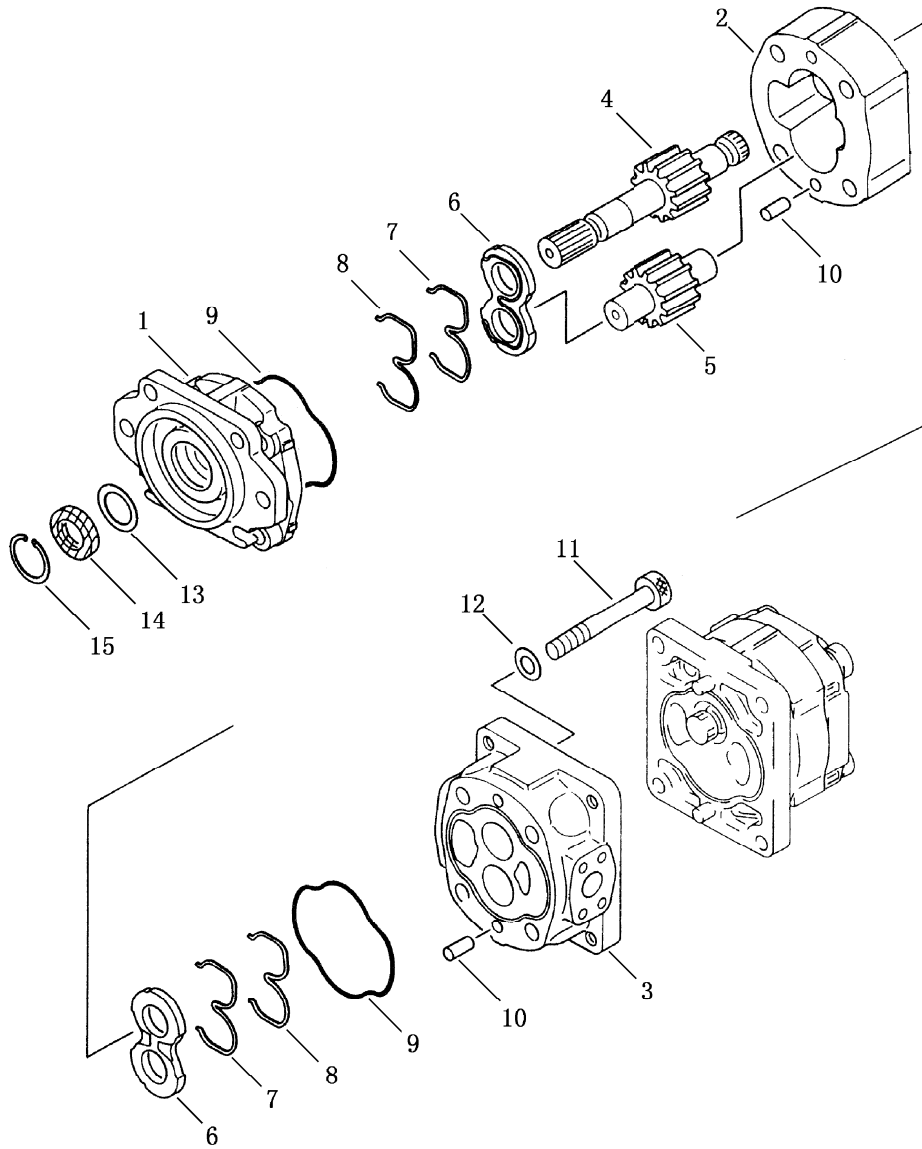


油缸支架
CYLINDER STAY

序号 Index No.	件号 Part No.	名称 Description	数量 Q'ty
	17Y-85A-00000	油缸支架 cylinder stay ass'y	1
605-1	17Y-85A-01000	支架 cylinder stay	1
2	154-61-13130	衬套 bushing	2
3	154-61-13141	衬套 bushing	2
4	07021-01091	接头式压注油杯 M10×1 fitting grease	2
5	07042-00108	螺塞 r1/8 plug	2
6	154-61-13150	密封圈 loop sealing	2
7	01010-52295	螺栓 M22×95 bolt	4
8	01011-52245	螺栓 M22×145 bolt	4
9	01643-32260	加厚垫圈 22 washer	8
10	154-61-13214	叉 yoke	2
11	154-61-13233	半瓦 cap	4
12	07020-01090	接头式压注油杯 M10×1 fitting grease	2
13	154-61-13246	衬套 bushing	4
14	170-70-15190	销 pin	4
15	01010-51885	螺栓 M18×85 bolt	8
16	01643-31845	加厚垫圈 washer	8
17	07145-00075	骨架防尘圈 seal dust	4

第 606 图
FIG. 606

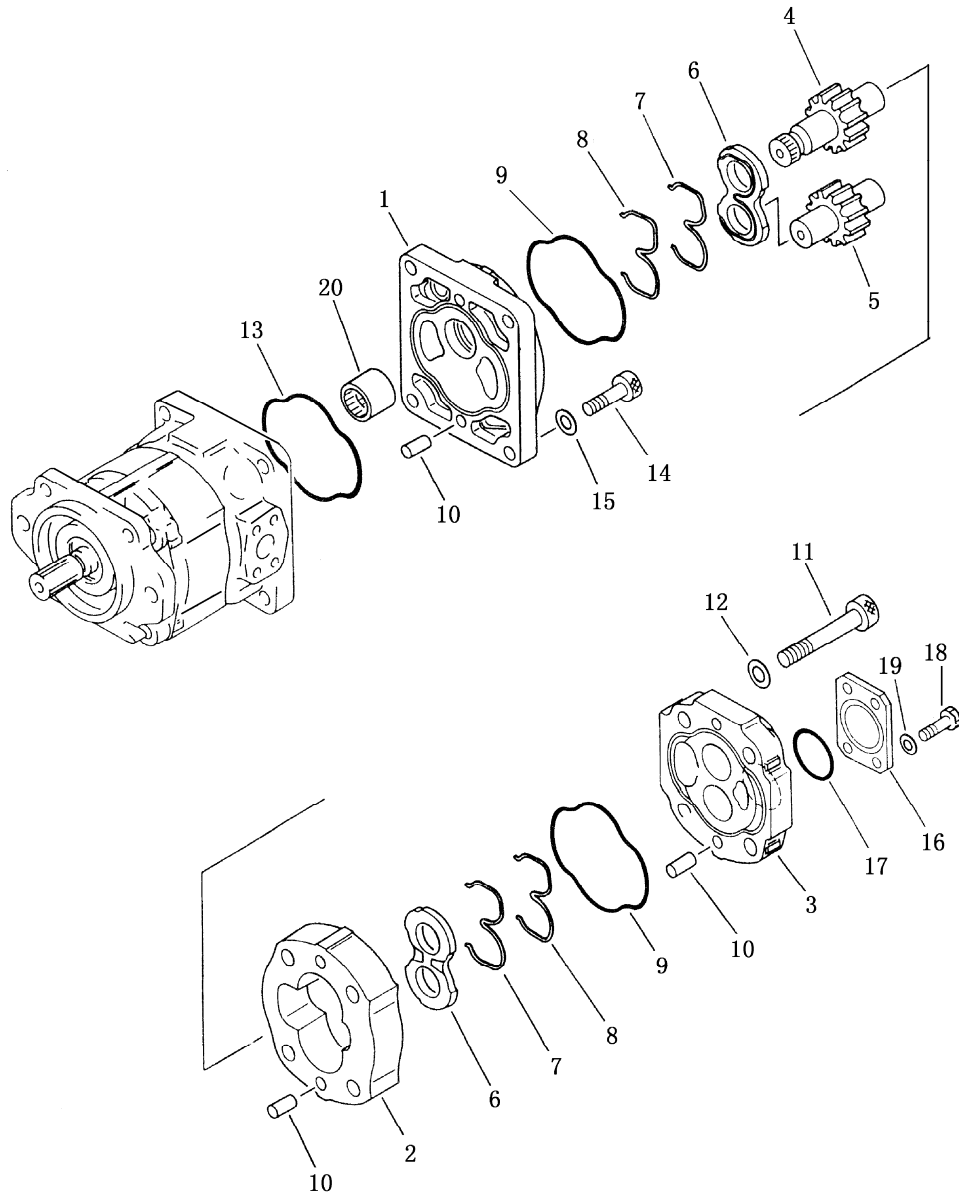
工作泵 (1/2)
HYDRAULIC PUMP



工作泵 (1/2)
HYDRAULIC PUMP

序号 Index No.	件 号 Part No.	名 称 Description	数量 Q'ty
	705-51-30190	泵总成 pump ass'y (sa13-80+36) 此泵全部由图 606、图 607 组成 This assembly consists of all parts shown in figs 606 and 607	1
606-1	705-11-38210	泵总成 pump ass'y	1
	(705-17-03012)	前盖 cover, front	1
	(705-17-03352)	滑动轴承 bearing, slide	2
2	705-17-38010	泵体 case gear	1
3	(705-17-03220)	泵盖 carrier	1
	(705-17-03352)	滑动轴承 bearing, slide	2
4	705-17-38430	驱动齿轮 gear drive	1
5	705-17-38511	从动齿轮 gear driven	1
6	705-17-03610	侧板 plate side	2
7	705-17-03440	油封 seal oil	2
8	705-17-03470	油封 seal oil	2
9	705-17-03380	O 型圈 O-ring	2
10	04020-01228	销 pin dowel	4
11	705-17-03760	螺栓 bolt	4
12	01643-51645	垫圈 washer	4
13	705-17-03870	垫 gasket	1
14	705-17-03810	油封 seal oil	1
15	04065-05220	弹性挡圈 ring snap	1

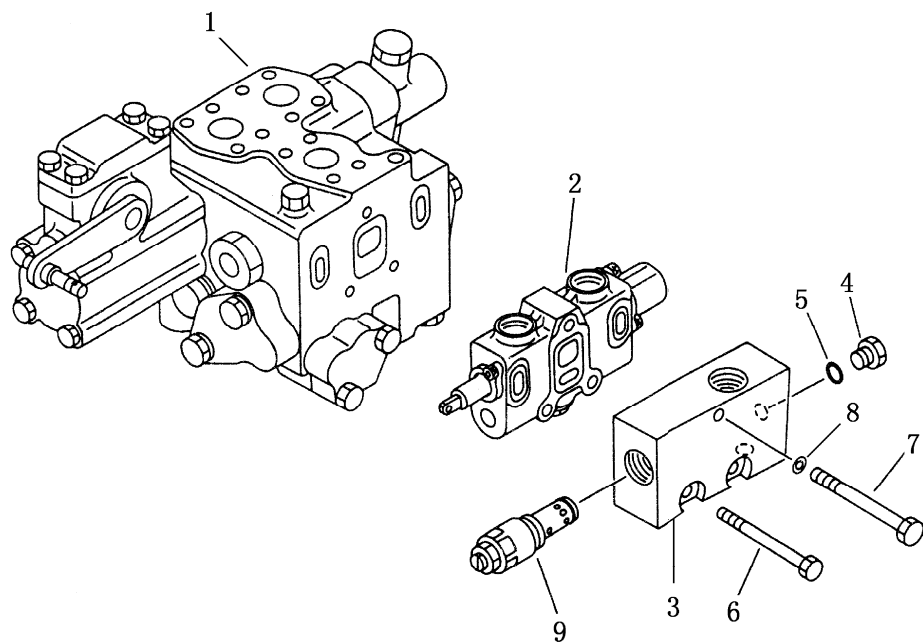
第 607 图 工作泵 (2/2)
FIG. 607 HYDRAULIC PUMP



工作泵 (2/2)
HYDRAULIC PUMP

序号 Index No.	件号 Part No.	名称 Description	数量 Q' ty
	(705-51-30190)	泵总成 pump ass'y (sal3-80+36) 此泵全部由图 606、图 607 组成 this assembly consists of all parts shown in figs 606 and 607	1
607-1	705-13-31730	泵总成 pump ass'y	1
	(705-17-03511)	托架 bracket	1
	(705-17-03352)	滑动轴承 bearing	2
2	705-18-31010	泵体 case gear	1
3	(705-17-03140)	后盖 cover, rear	1
	(705-17-03352)	滑动轴承 bearing	2
4	705-18-31450	驱动齿轮 gear drive	1
5	705-18-31510	从动齿轮 gear driven	1
6	705-17-03610	侧板 plate side	2
7	705-17-03440	油封 seal oil	2
8	705-17-03470	油封 seal oil	2
9	705-17-03380	O 型圈 O-ring	2
10	04020-01228	销 pin dowel	6
11	705-17-03720	螺栓 bolt	4
12	01643-51645	垫圈 washer	4
13	705-17-03380	O 型圈 O-ring	1
14	705-17-03370	螺栓 bolt	4
15	705-17-04980	垫圈 washer	4
16	705-17-03880	板 plate	1
17	07000-02055	O 型圈 O-ring	1
18	01010-51230	螺栓 bolt	4
19	01643-51232	垫圈 washer	4
20	705-17-03330	联接器 coupling	1

第 608 图 铲刀控制阀 (1/5)
FIG. 608 BLADE CONTROL VALVE

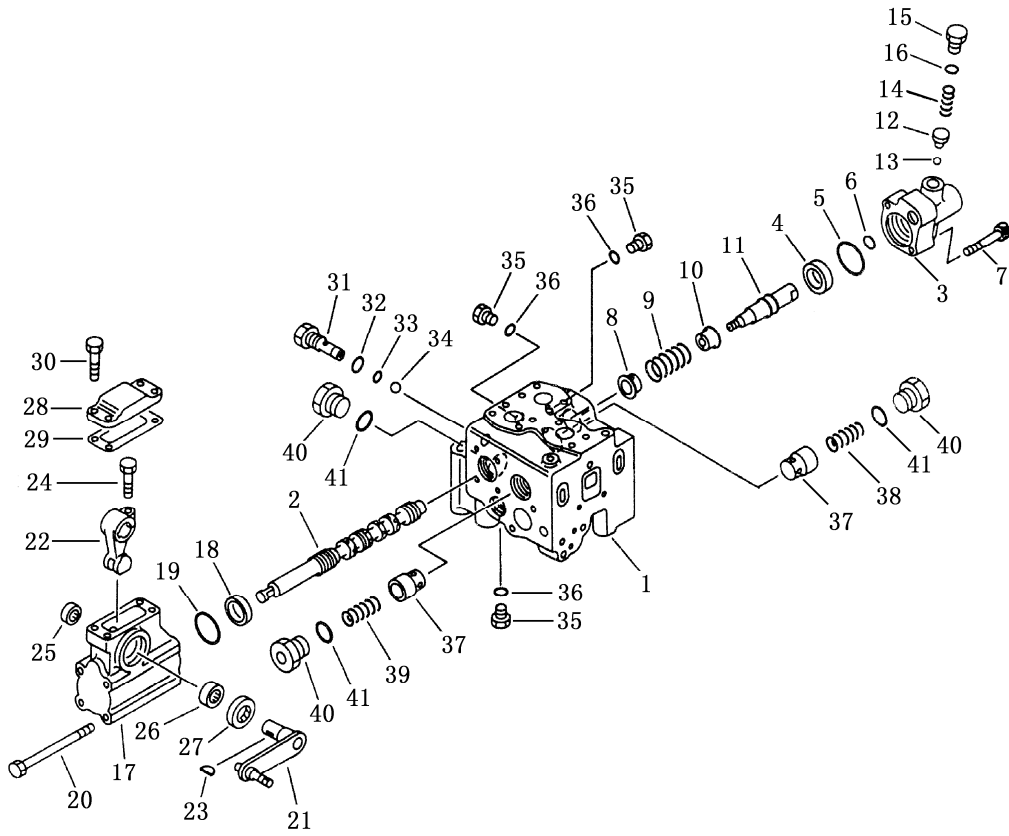


铲刀控制阀 (1/5)
BLADE CONTROL VALVE

序号 Index No.	件 号 Part No.	名 称 Description	数量 Q'ty
	709-62-31103	阀总成 valve ass'y 此体由图 608—612 所属全部零件组成 this assembly consists of all parts shown in figs 608 to 612	1
608-1	709-62-00031	阀部件总成 valve sub ass'y	1
2	709-62-00020	阀块总成 body sub ass'y	1
3	709-62-31350	阀块 block relief	1
4	07040-11007	螺塞 plug	2
5	07002-11023	O 型圈 O-ring	2
6	01010-60885	螺栓 bolt	2
7	700-23-13140	螺栓 bolt	1
8	01643-31032	垫圈 washer	1
9	700-24-52001	安全阀总成 relief valve ass'y	1

第 609 图
FIG. 609

铲刀控制阀 (2/5)
BLADE CONTROL VALVE

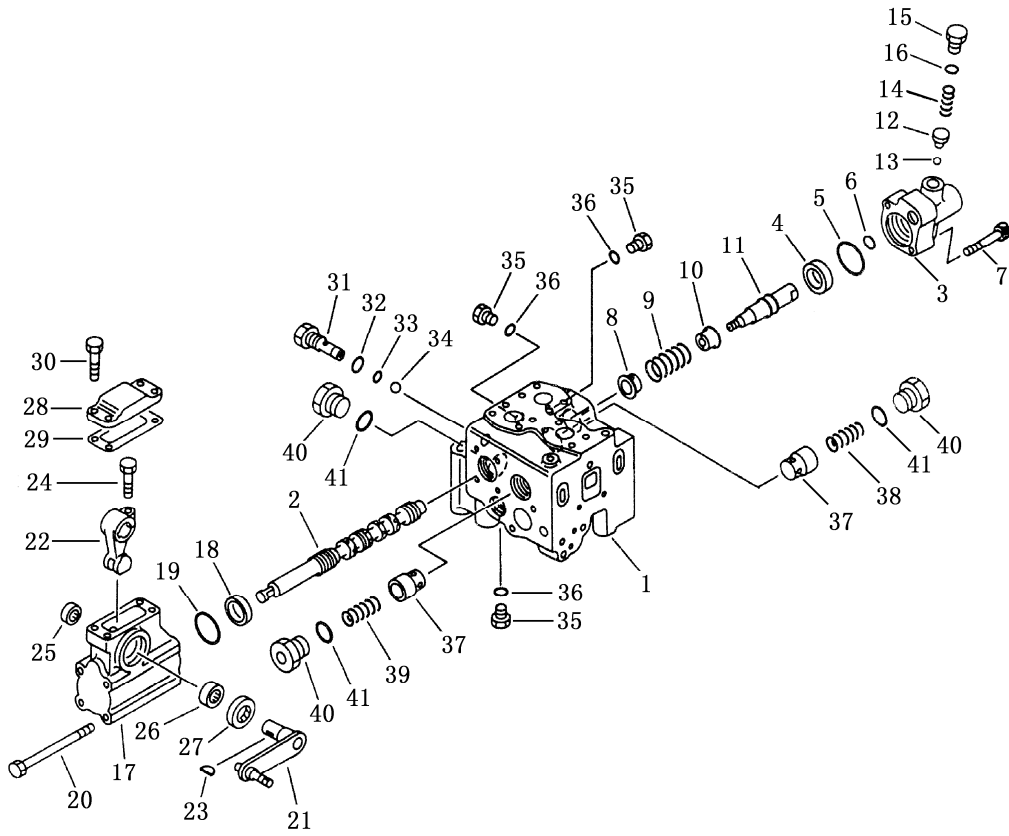


铲刀控制阀 (2/5)
BLADE CONTROL VALVE

序号 Index No.	件号 Part No.	名称 Description	数量 Q'ty
	(709-62-31103)	阀总成 valve ass'y 此体由图 608~612 所属全部零件组成 This assembly consists of all parts shown in figs 608 to 612	1
	709-62-00031	阀部件总成 valve sub ass'y 此体由图 609~610 所属全部零件组成 This assembly consists of all parts shown in figs 609 to 610	1
609-1	709-62-31112	阀体 body valve	1
2	709-62-31120	阀芯 spool	1
3	709-62-31130	壳体 case	1
4	709-62-31140	环 collar	1
5	07000-03045	O 型圈 O-ring	1
6	07000-02015	O 型圈 O-ring	1
7	01252-31045	螺栓 bolt	2
8	700-91-11260	座 retainer	1
9	709-62-31150	弹簧 spring	1
10	700-91-11270	座 retainer	1
11	709-62-31160	螺塞 plug	1
12	709-62-31170	座 retainer	2
13	700-84-11730	球 ball	2
14	709-62-31180	弹簧 spring	2
15	07040-11409	螺塞 plug	2
16	07002-01423	O 型圈 O-ring	2
17	700-93-11710	阀体 body valve	1
18	700-93-11720	环 collar	1
19	07430-71380	O 型圈 O-ring	1
20	700-93-11730	螺栓 bolt	4
21	709-62-31190	杆 lever	1
22	700-93-11780	杆 lever	1
23	04010-00416	键 key	1
24	01010-30825	螺栓 bolt	1
25	700-93-11740	轴承 bearing	1
26	700-93-11750	轴承 bearing	1

第 609 图
FIG. 609

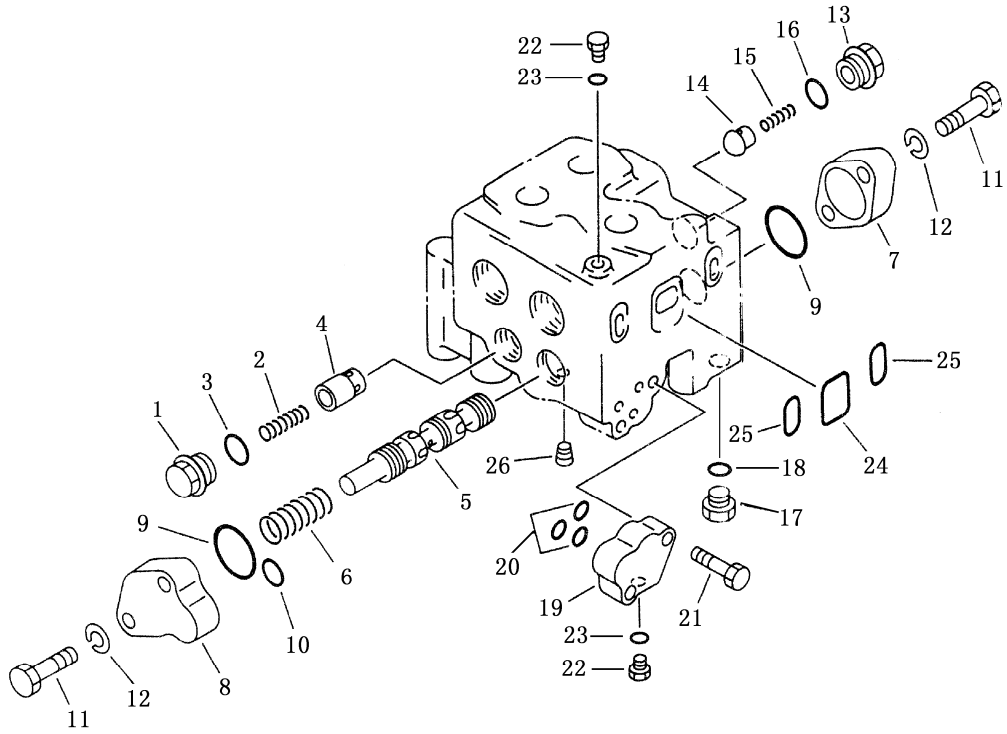
铲刀控制阀 (2/5)
BLADE CONTROL VALVE



铲刀控制阀 (2/5)
BLADE CONTROL VALVE

序号 Index No.	件 号 Part No.	名 称 Description	数量 Q'ty
609-27	700-93-11762	油封 seal oil	1
28	700-93-11790	板 plate	1
29	700-93-11811	垫 gasket	1
30	01010-50820	螺栓 bolt	4
31	709-62-11350	螺塞 plug	1
32	07002-11423	O 型圈 O-ring	1
33	07000-11007	O 型圈 O-ring	1
34	04260-00952	螺栓 bolt	1
35	07040-11007	螺塞 plug	3
36	07002-11023	O 型圈 O-ring	3
37	709-62-31210	阀 valve	2
38	709-62-31220	弹簧 spring	1
39	701-21-31130	弹簧 spring	1
40	07040-13316	螺塞 plug	3
41	07002-13334	O 型圈 O-ring	3

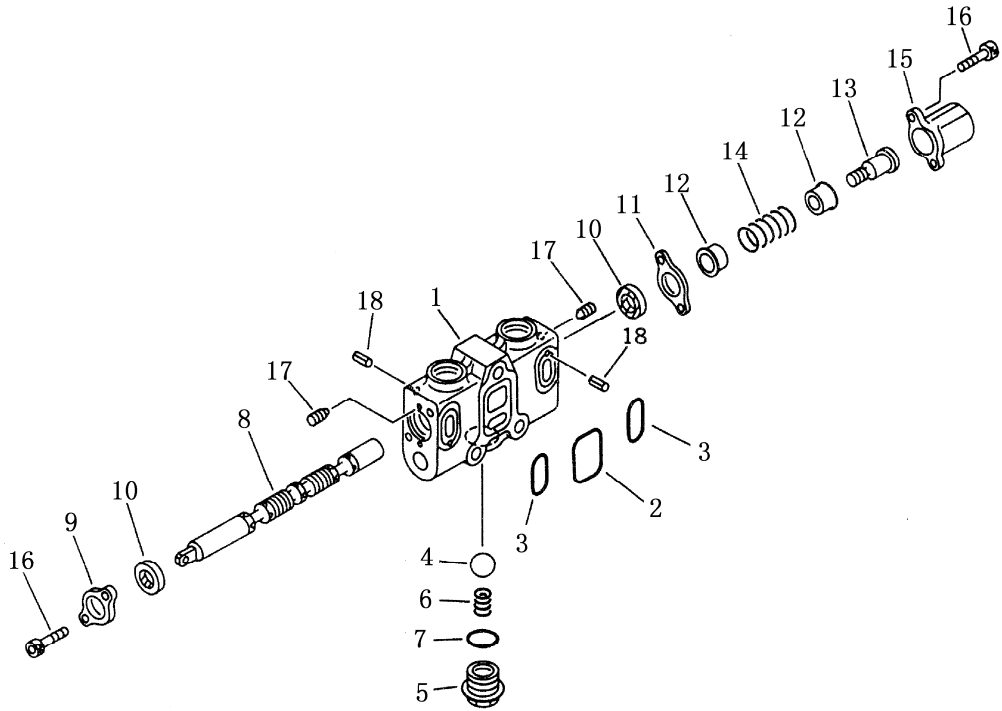
第 610 图 铲刀控制阀 (3/5)
FIG. 610 BLADE CONTROL VALVE



铲刀控制阀 (3/5)
BLADE CONTROL VALVE

序号 Index No.	件号 Part No.	名称 Description	数量 Q'ty
	709-62-31103	阀总成 valve ass'y 此体由图 608~612 所属全部零件组成 This assembly consists of all parts shown in figs 608 to 612	1
	709-62-00031	阀部件总成 valve sub ass'y 此体由图 609~610 所属全部零件组成 This assembly consists of all parts shown in figs 609 to 610	1
610-1	700-22-11370	螺塞 plug	1
2	701-13-31130	弹簧 spring	1
3	07002-12434	O 型圈 o-ring	1
4	701-13-31120	阀 valve	1
5	709-62-31250	阀芯 spool	1
6	709-62-31260	弹簧 spring	1
7	709-62-31310	板 plate	1
8	709-62-31320	板 plate	1
9	07000-13038	O 型圈 o-ring	2
10	07000-02021	O 型圈 o-ring	1
11	01010-51245	螺栓 bolt	4
12	01602-21236	垫圈 washer	4
13	709-62-31240	螺塞 plug	1
14	700-22-11340	单向阀 valve check	1
15	709-20-51270	弹簧 spring	1
16	07002-12434	O 型圈 o-ring	1
17	07040-11612	螺塞 plug	4
18	07002-11623	O 型圈 o-ring	4
19	709-62-31271	板 plate	1
20	07000-12015	O 型圈 o-ring	3
21	01010-51040	螺栓 bolt	2
22	07040-11007	螺塞 plug	2
23	07002-11023	O 型圈 o-ring	2
24	07000-13040	O 型圈 o-ring	1
25	709-62-31280	O 型圈 o-ring	2
26	708-17-22130	螺塞 plug	1

第 611 图 铲刀控制阀 (4/5)
FIG. 611 BLADE CONTROL VALVE

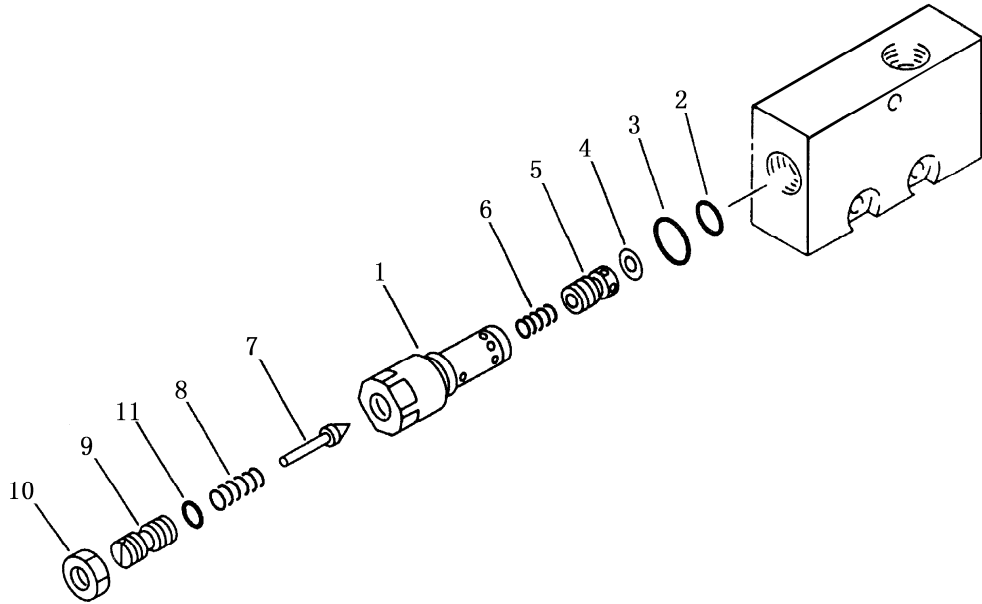


铲刀控制阀 (4/5)
BLADE CONTROL VALVE

序号 Index No.	件号 Part No.	名称 Description	数量 Q'ty
611-1 2 3 4 5 6 7 8 9 10 11 12 13 14 15 16 17 18	709-62-31103	阀总成 valve ass'y 此体由图 608~612 所属全部零件组成 This assembly consists of all parts shown in figs 608 to 612	1
	709-62-00020	阀部件总成 valve sub ass'y	1
	709-62-31290	阀块 block valve	1
	07000-13040	O 型圈 O-ring	1
	709-62-31280	O 型圈 O-ring	2
	700-22-12340	阀 valve	1
	700-22-11351	螺塞 plug	1
	700-22-12350	弹簧 spring	1
	07002-12434	O 型圈 O-ring	1
	709-62-31330	阀芯 spool	1
	709-25-11320	板 plate	1
	709-25-11290	油封 seal oil	2
	709-25-11310	板 plate	1
	700-22-11291	护圈 retainer	2
	700-22-11321	螺塞 plug	1
	700-23-13130	弹簧 spring	1
	700-22-11332	盖 cover	1
	01252-30616	螺栓 bolt	4
706-86-51170	螺栓 bolt	3	
04025-00308	弹性圆柱销 pin spring	3	

第 612 图
FIG. 612

铲刀控制阀 (5/5)
BLADE CONTROL VALVE

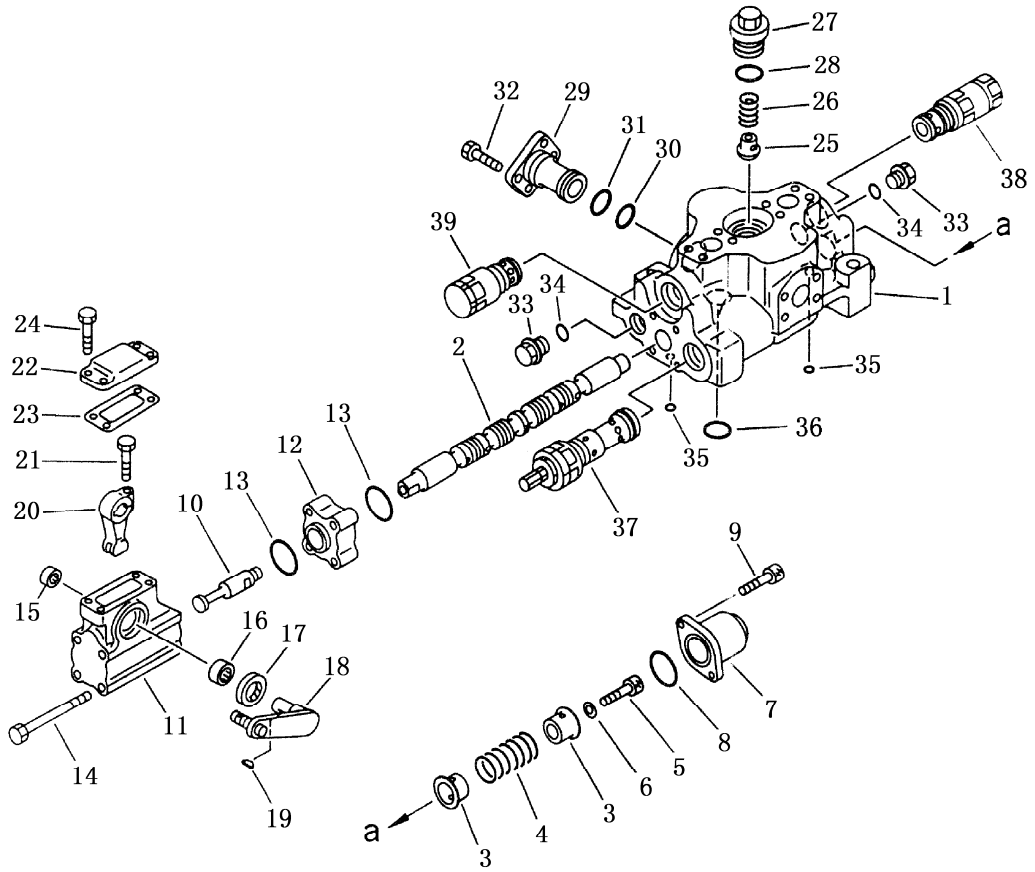


铲刀控制阀 (5/5)
BLADE CONTROL VALVE

序号 Index No.	件 号 Part No.	名 称 Description	数量 Q'ty
	709-62-31103	阀总成 valve ass'y 此体由图 608~612 所属全部零件组成 this assembly consists of all parts shown in figs 608 to 612	1
	700-24-52001	安全阀 relief valve ass'y	1
612-1	700-20-51410	阀体 sleeve	1
2	700-22-11410	O 型圈 O-ring	1
3	07002-02434	O 型圈 O-ring	1
4	700-20-51240	环 ring	1
5	700-20-51420	阀 valve	1
6	700-20-51430	弹簧 spring	1
7	700-80-61190	阀芯 spool	1
8	700-20-51350	弹簧 spring	1
9	700-20-51340	螺柱 screw	1
10	01583-11408	螺母 nut	1
11	07000-02011	O 型圈 O-ring	1

第 613 图
FIG. 613

三齿松土器控制阀 (1/2)
THREE SHANK RIPPER CONTROL VALVE

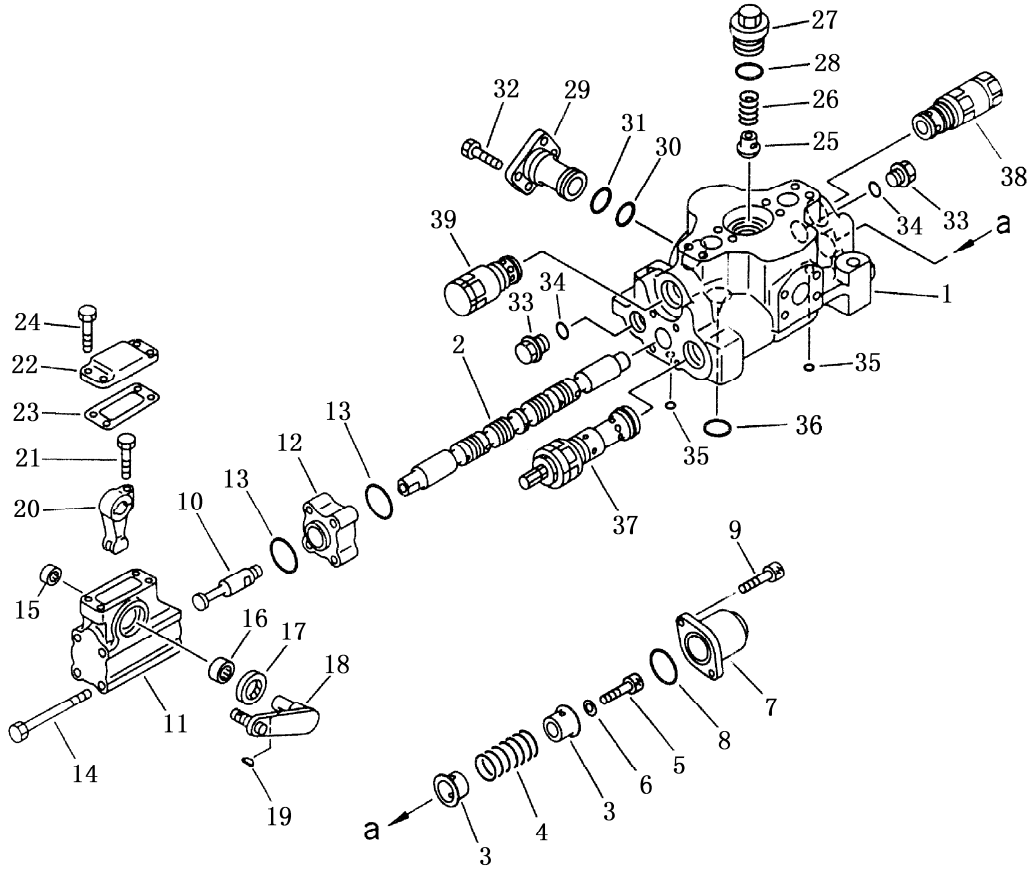


三齿松土器控制阀 (1/2)
THREE SHANK RIPPER CONTROL VALVE

序号 Index No.	件号 Part No.	名称 Description	数量 Q' ty
	700-91-38002	阀总成 valve ass'y	1
	700-91-00031	阀组件总成 body group ass'y	1
613-1	700-91-11621	阀体 body, valve	1
2	700-92-11220	滑阀 spool	1
3	700-93-11870	座 retain	2
4	700-93-11880	弹簧 spring	1
5	01252-31016	螺栓 bolt	1
6	01643-31032	垫圈 washer	1
7	700-93-11920	壳体 case	1
8	07430-71380	O型圈 o-ring	1
9	01252-30820	螺栓 bolt	2
10	700-91-11630	挡杆 joint	1
11	700-93-11710	操纵杆壳体 case lever	1
12	700-91-11640	板 plate	1
13	07430-71380	O型圈 o-ring	2
14	6138-11-4880	螺栓 bolt	4
15	700-93-11740	座 retain	1
16	700-93-11750	座 retain	1
17	700-93-11762	油封 seal oil	1
18	700-91-11670	杆 lever	1
19	04010-00416	键 key	1
20	700-93-11780	杆 lever	1
21	01010-30825	螺栓 bolt	1
22	700-93-11790	杆 lever	1
23	700-93-11810	垫 gasket	1
24	01010-30820	螺栓 bolt	4
25	700-93-11461	单向阀 valve check	1
26	700-93-11471	弹簧 spring	1
27	700-93-11481	螺栓 bolt	1
28	07002-13634	O型圈 o-ring	1
29	700-91-11650	法兰 flange	1
30	07000-13032	O型圈 o-ring	1

第 613 图
FIG. 613

三齿松土器控制阀 (1/2)
THREE SHANK RIPPER CONTROL VALVE



松土器控制阀 (1/2)
RIPPER CONTROL VALVE

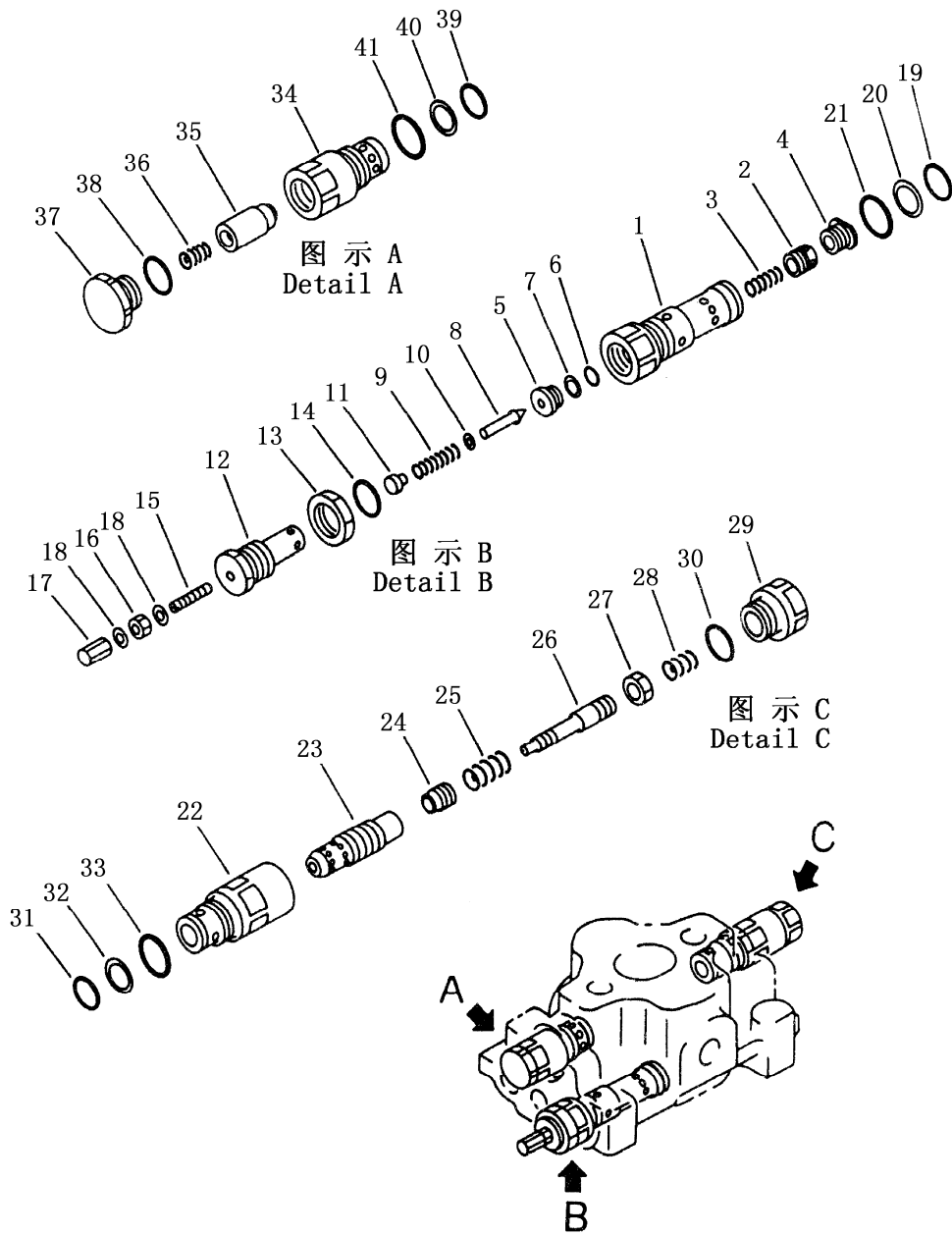
序号 Index No.	件 号 Part No.	名 称 Description	数量 Q'ty
613-31	07000-03035	0 型圈 o-ring	1
32	01010-51025	螺栓 bolt	1
33	700-22-11370	螺塞 plug	2
34	07002-02434	0 型圈 o-ring	2
35	07000-02011	0 型圈 o-ring	2
36	07000-03035	0 型圈 o-ring	1
37	709-90-51500	阀总成 valve ass'y	1
38	700-90-76000	安全阀+补油阀 valve ass'y (suction and safety)	1
39	700-90-88000	阀总成 valve ass'y	1

第 614 图

三齿松土器控制阀 (2/2)

FIG. 614

THREE SHANK RIPPER CONTROL VALVE



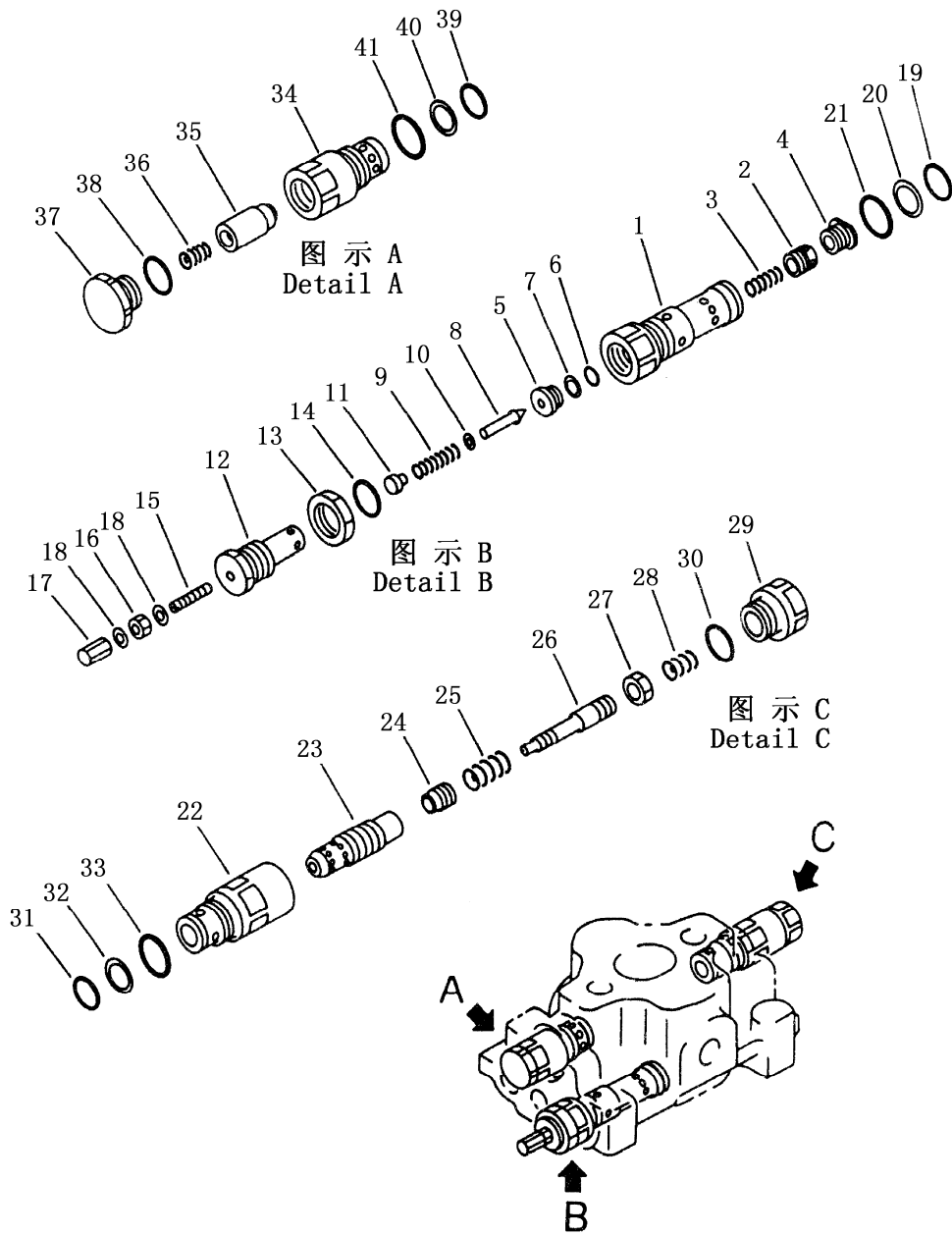
三齿松土器控制阀 (2/2)
THREE SHANK RIPPER CONTROL VALVE

序号 Index No.	件号 Part No.	名称 Description	数量 Q'ty
	700-91-38002	阀总成 valve ass'y	1
	709-90-51500	主溢流阀总成 valve ass'y, main relief	1
614-1	700-90-51220	阀套 sleeve	1
2	700-90-51230	阀 valve	1
3	700-90-51320	弹簧 spring	1
4	700-90-51120	螺塞 plug	1
5	700-90-51150	座 retain	1
6	07000-22016	O型圈 O-ring	1
7	07001-02016	挡圈 ring back-up	1
8	700-80-61190	锥阀 poppet	1
9	700-90-51160	弹簧 spring	1
10	700-80-51240	垫圈 washer	1
11	700-90-51250	座 retain	1
12	700-90-51270	阀体 body, valve	1
13	700-90-51190	螺母 nut	1
14	07002-03034	O型圈 O-ring	1
15	700-90-51281	螺钉 screw	1
16	01580-10806	螺母 nut	1
17	700-90-51311	螺母 nut	1
18	700-90-51290	密封垫圈 washer seal	2
19	700-93-11320	O型圈 O-ring	1
20	700-93-11330	挡圈 ring back-up	1
21	07002-03634	O型圈 O-ring	1
	700-90-76000	安全阀+补油阀 valve ass'y suction and safety	1
22	700-90-61110	阀套 sleeve	1
23	700-90-61120	阀 valve	1
24	700-90-61130	锥阀 poppet	1
25	700-90-61140	弹簧 spring	1
26	700-90-61150	活塞 piston	1
27	700-90-61160	螺母 nut	1
28	700-90-61170	弹簧 spring	1
29	700-90-61180	螺塞 plug	1
30	07002-13634	O型圈 O-ring	1
31	700-93-11320	O型圈 O-ring	1

第 614 图

三齿松土器控制阀 (2/2)

FIG. 614 THREE SHANK RIPPER CONTROL VALVE



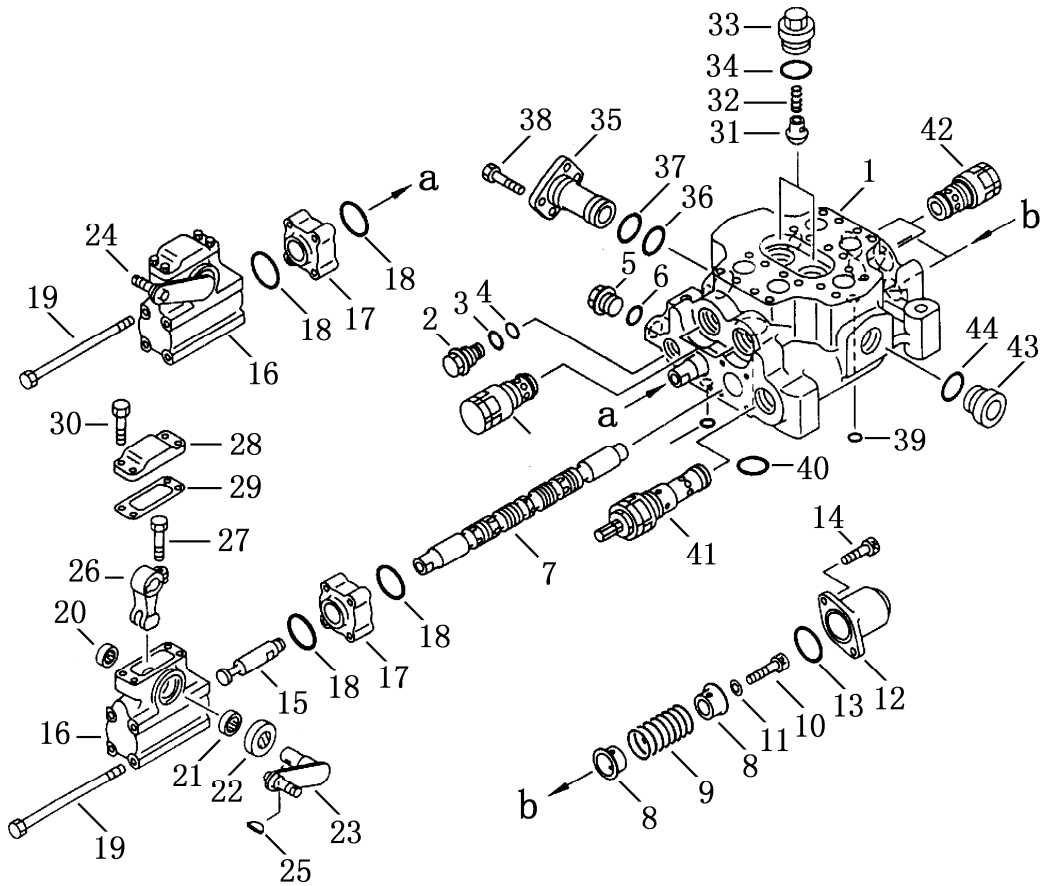
松土器控制阀 (2/2)
THREE SHANK RIPPER RIPPER CONTROL VALVE

序号 Index No.	件号 Part No.	名称 Description		数量 Q'ty
614-32	700-93-11330	挡圈	ring back-up	1
33	07002-03634	O型圈	O-ring	1
	700-90-88000	阀总成	valve ass'y	1
34	700-90-62110	阀套	sleeve	1
35	700-90-62160	阀	valve	1
36	700-90-61170	弹簧	spring	1
37	700-90-62130	螺塞	plug	1
38	07002-13034	O型圈	O-ring	1
39	700-93-11320	O型圈	O-ring	1
40	700-93-11330	挡圈	ring back-up	1
41	07002-03634	O型圈	O-ring	1

第 615 图

单齿松土器控制阀 (1/2)

FIG. 615 SINGLE SHANK RIPPER CONTROL VALVE



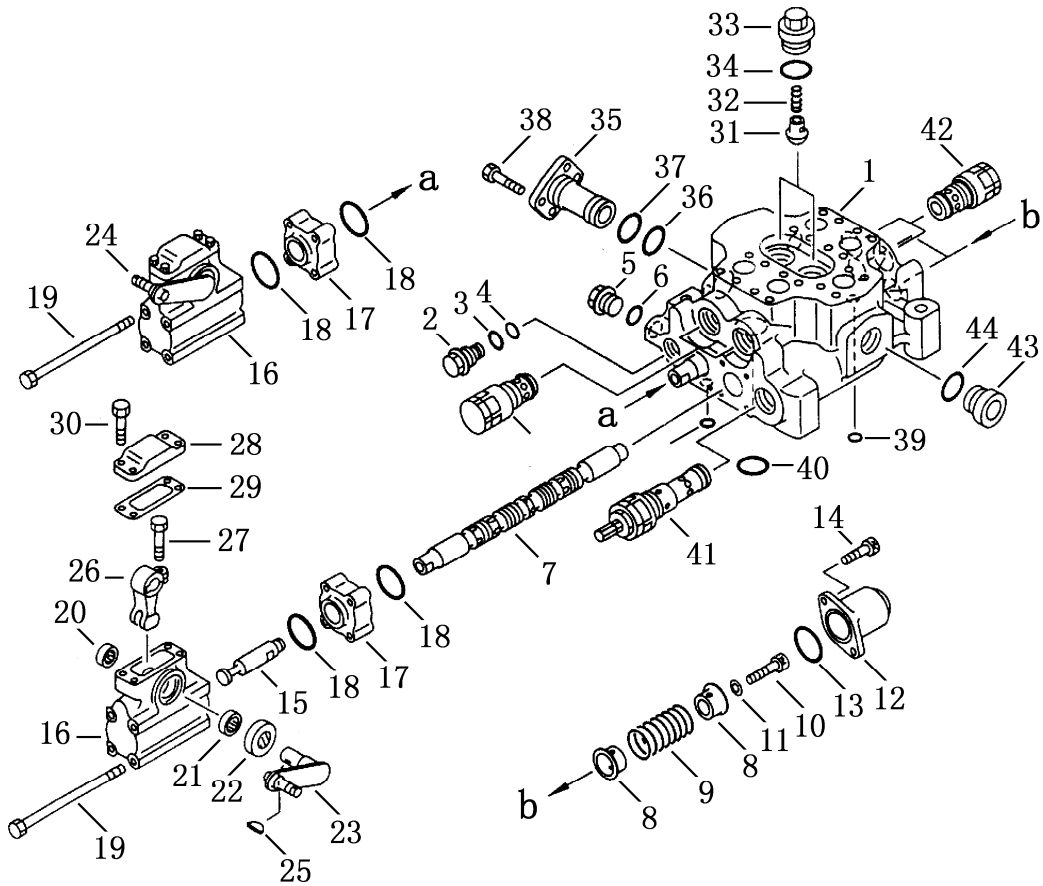
单齿松土器控制阀
SINGLE SHANK RIPPER CONTROL VALVE

序号 Index No.	件号 Part No.	名称 Description	数量 Q'ty
615-1	709-92-27002	阀总成 valve ass'y	1
	700-92-11511	阀体 body, valve	1
	2 700-22-11360	螺塞 plug	2
	3 07002-02434	O型圈 O-ring	2
	4 07000-02014	O型圈 O-ring	2
	5 700-22-11370	螺塞 plug	2
	6 07000-02434	O型圈 O-ring	2
	7 700-92-11220	阀芯 spool	2
	8 700-93-11870	座 retainer	4
	9 700-93-11880	弹簧 spring	2
	10 01252-31016	螺栓 bolt	2
	11 01643-31032	垫圈 washer	2
	12 700-93-11920	座 case	2
	13 07430-71380	O型圈 O-ring	2
	14 01252-30820	螺栓 bolt	4
	15 700-91-11630	接头 joint	2
	16 700-93-11710	壳体 case lever	2
	17 700-91-11640	板 plate	2
	18 07430-71380	O型圈 O-ring	4
	19 6138-11-4880	螺栓 bolt	8
	20 700-93-11740	轴承 bearing	2
	21 700-93-11750	轴承 bearing	2
	22 700-93-11762	油封 seal, oil	2
	23 700-91-11660	手柄 lever	1
	24 700-91-11670	手柄 lever	1
	25 04010-00416	键 key	2
	26 700-93-11780	杆 lever	2
	27 01010-30825	螺栓 bolt	2
	28 700-93-11790	板 plate	2
	29 700-93-11811	垫 gasket	2
	30 01010-30820	螺栓 bolt	8
	31 700-93-11461	阀芯 valve, check	2
32 700-93-11471	弹簧 spring	2	

第 615 图

单齿松土器控制阀 (1/2)

FIG. 615 SINGLE SHANK RIPPER CONTROL VALVE



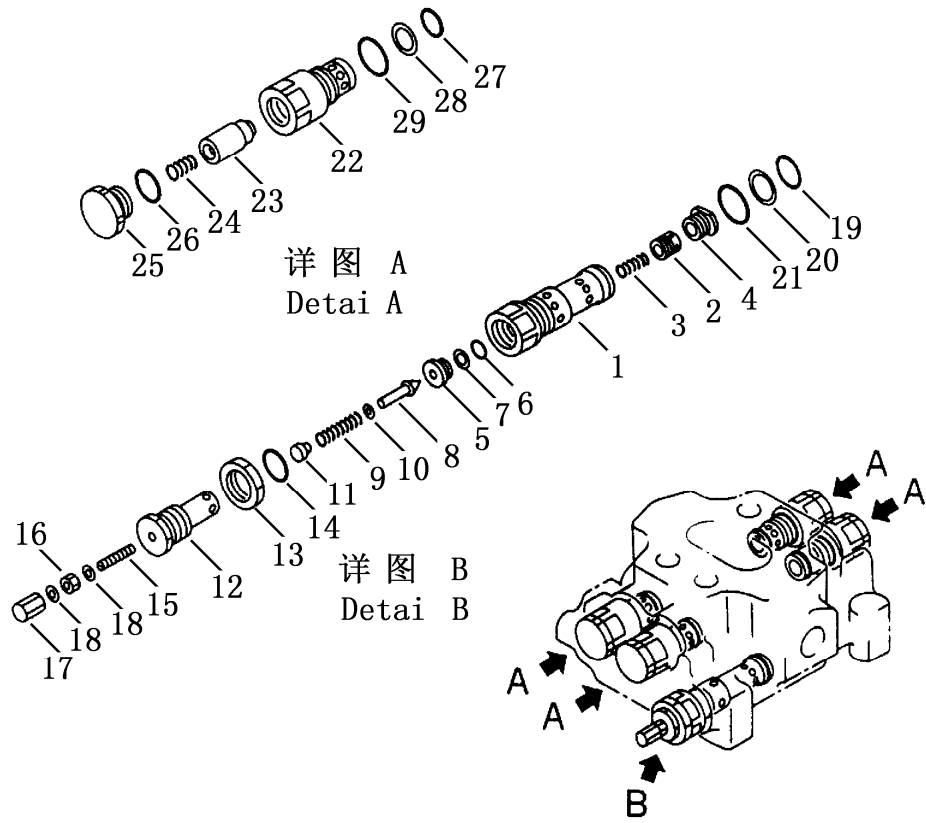
单齿松土器控制阀
SINGLE SHANK RIPPER CONTROL VALVE

序号 Index No.	件号 Part No.	名称 Description	数量 Q'ty
615-33	700-93-11481	螺塞 plug	2
34	07002-13634	O型圈 O-ring	2
35	700-91-11680	法兰 flange	1
36	07002-13032	O型圈 O-ring	1
37	07000-03035	O型圈 O-ring	1
38	01010-51025	螺栓 bolt	1
39	07000-02011	O型圈 O-ring	2
40	07000-03035	O型圈 O-ring	1
41	700-95-58000	溢流阀 valve, relief	1
42	700-90-88000	补油阀 valve, suction	4
43	07040-13618	螺塞 plug	1
44	07002-13634	O型圈 O-ring	1

第 616 图

单齿松土器控制阀 (2/2)

FIG. 616 SINGLE SHANK RIPPER CONTROL VALVE

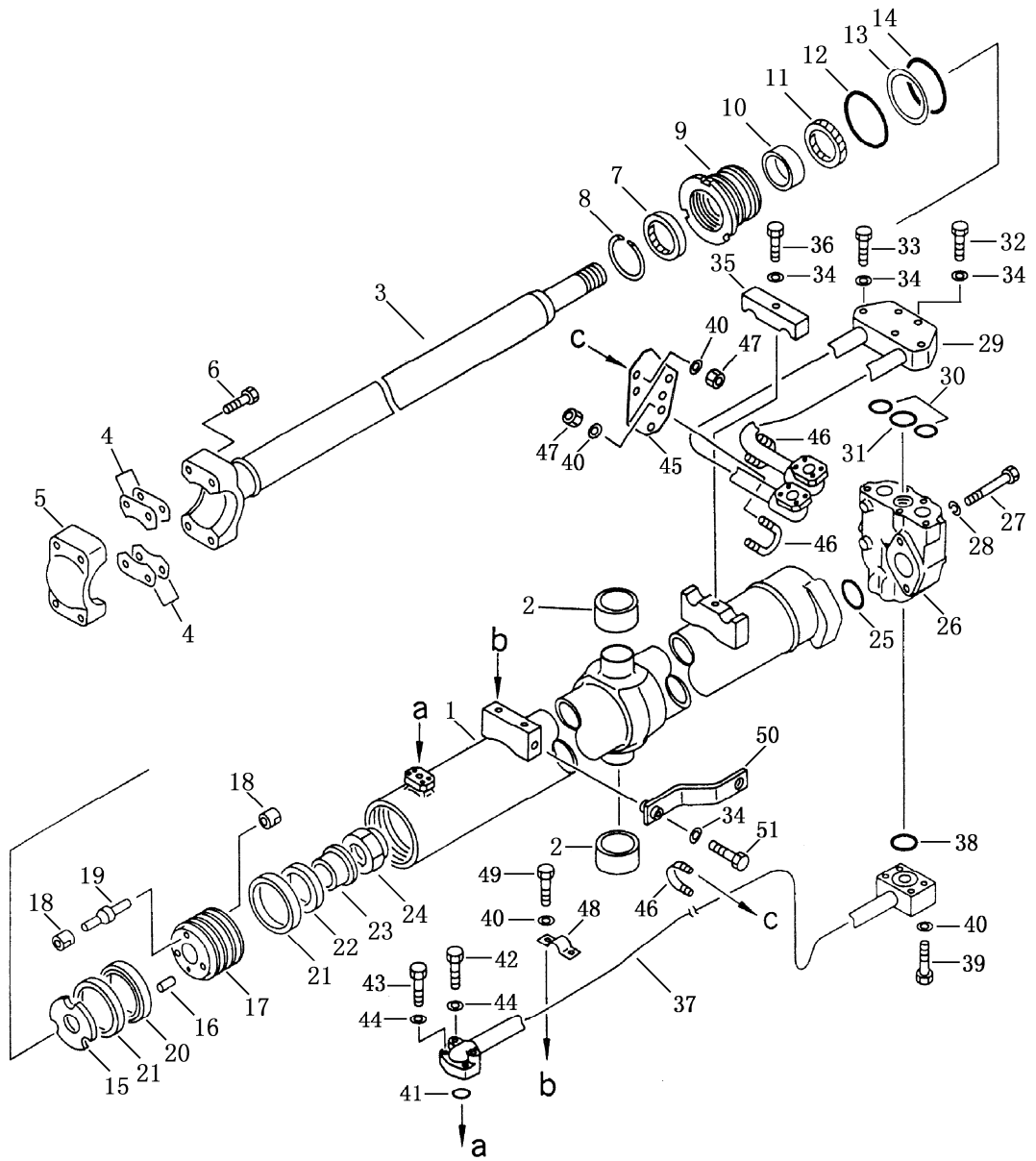


单齿松土器控制阀(2/2)

SINGLE SHANK RIPPER CONTROL VALVE

序号 Index No.	件号 Part No.	名称 Description	数量 Q'ty
	700-95-58000	减压阀 valve ass'y, relief	1
616-1	700-90-51220	套筒 sleeve	1
2	700-90-51230	阀 valve	1
3	700-90-51320	弹簧 spring	1
4	700-90-51120	螺塞 plug	1
5	700-90-51150	座 seat	1
6	07000-22016	O型圈 O-ring	1
7	07001-02016	环 ring, back-up	1
8	700-80-61190	锥阀芯 poppet	1
9	700-90-51160	弹簧 spring	1
10	700-80-51240	垫片 spacer	1
11	700-90-51250	座 retainer	1
12	700-90-51270	支座 holder	1
13	700-90-51190	螺母 nut	1
14	07002-03034	O型圈 O-ring	1
15	700-90-51281	螺钉 screw	1
16	01580-10806	螺母 nut	1
17	700-90-51311	螺母 nut	1
18	700-90-51290	垫圈 washer	2
19	700-93-11320	O型圈 O-ring	1
20	700-93-11330	挡圈 ring	1
21	07002-03634	O型圈 O-ring	1
	700-90-88000	阀总成 valve ass'y	4
22	700-90-62110	套筒 sleeve	1
23	700-90-62160	阀芯 valve	1
24	700-90-61170	弹簧 spring	1
25	700-90-62130	螺塞 plug	1
26	07002-13034	O型圈 O-ring	1
27	700-93-11320	O型圈 O-ring	1
28	700-93-11330	挡圈 ring, back-up	1
29	07002-03634	O型圈 O-ring	1

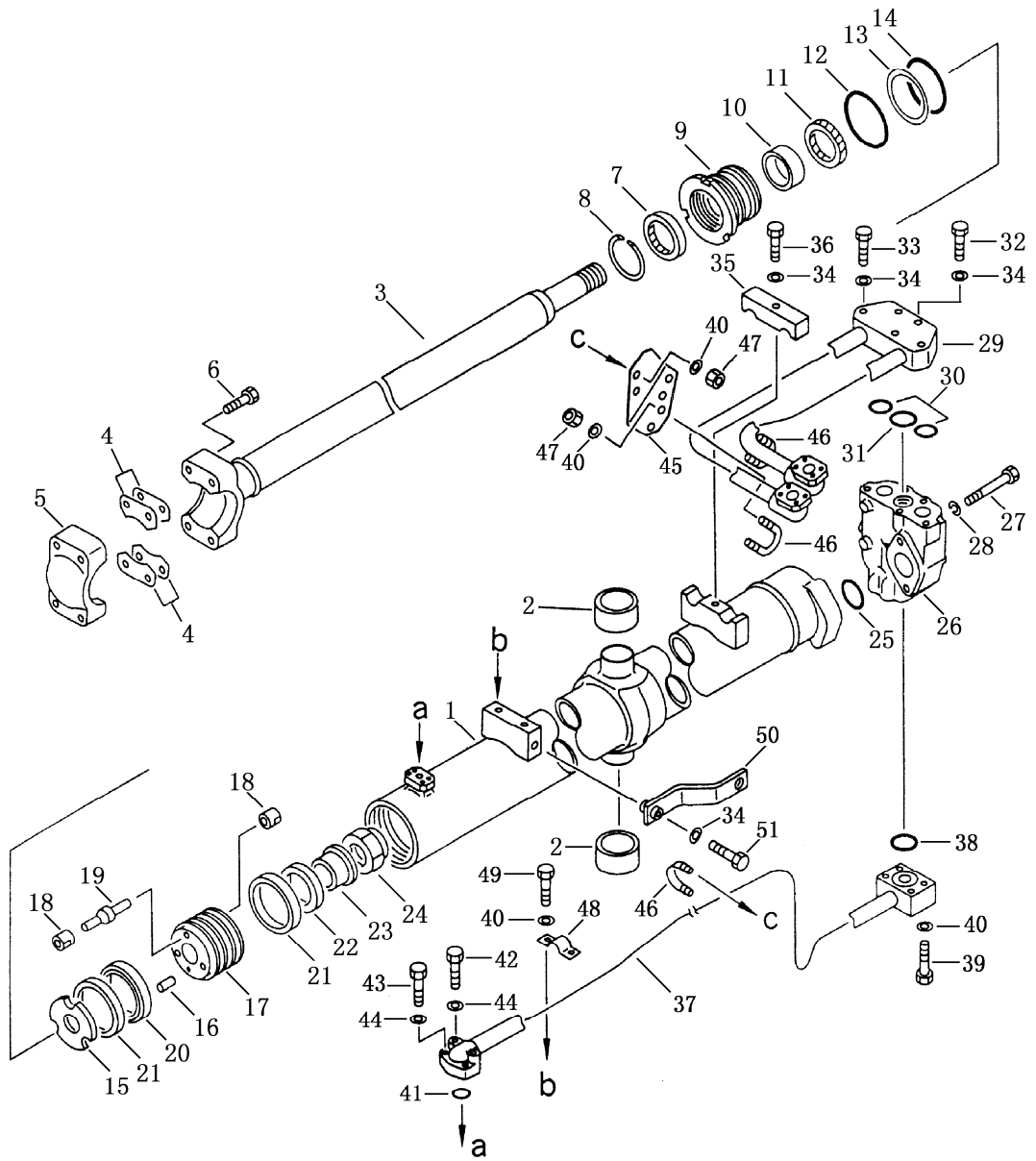
第 617 图 铲刀提升油缸 (1/2)
 FIG. 617 BLADE LIFT CYLINDER



铲刀提升油缸 (1/2)
BLADE LIFT CYLINDER

序号 Index No.	件号 Part No.	名称 Description	数量 Q'ty			
			SD23	SD23E SD23D	SD23S SD23R	
617-1	154-63-X2010	铲刀提升油缸(左)cylinder ass'y blade lift L.H	1			
	154-63-X2020	铲刀提升油缸(右) cylinder ass'y blade lift R.H	1			
	154-63-X2050	铲刀提升油缸(左)cylinder ass'y blade lift L.H		1		
	154-63-X2060	铲刀提升油缸(右) cylinder ass'y blade lift R.H		1		
	154-63-X2230	铲刀提升油缸(左)cylinder ass'y blade lift L.H			1	
	154-63-X2240	铲刀提升油缸(右) cylinder ass'y blade lift R.H			1	
		154-63-13241	缸体 cylinder	1		
		154-63-19740	缸体 cylinder		1	
		154-63-15741	缸体(左) cylinder L.H			1
		154-63-15841	缸体(右) cylinder R.H			1
	2	154-63-12340	衬套 bushing	2	2	2
	3	154-63-13220	活塞杆 rod piston	1	1	
		154-63-15720	活塞杆 rod piston			1
	4	707-88-11290	调整垫 1mm shim lmm	10	10	10
	5	707-66-70020	盖 cap	1	1	1
	6	01011-51600	螺栓 bolt	4	4	4
	7	144-63-95170	防尘封 seal dust	1	1	1
	8	07179-12084	弹性挡圈 ring snap	1	1	1
	9	707-29-11761	缸头 head cylinder	1	1	1
	10	07177-07030	衬套 bushing	1	1	1
	11	707-51-70211	油封 packing	1	1	1
	12	07000-12110	O 型圈 o-ring	1	1	1
	13	707-35-91100	保护圈 ring back-up	1	1	1
	14	07000-12105	O 型圈 o-ring	1	1	1
	15	707-40-11570	挡板 retainer	1	1	1
16	130-63-12761	销 pin	1	1	1	
	154-63-13330	活塞总成 piston ass'y	1	1	1	
17	707-36-11020	活塞 piston	1	1	1	
18	130-63-12464	阀座 seat valve	6	6	6	
19	130-63-12364	活塞阀 valve piston	3	3	3	
20	707-44-11180	活塞环 ring piston	1	1	1	
21	07156-01112	耐磨环 ring near	2	2	2	
22	707-69-10710	滑环 slider	1	1	1	
23	707-69-10700	套 collar	1	1	1	
24	07165-14244	螺母 nut	1	1	1	
25	07000-12055	O 型圈 O-ring	1	1	1	

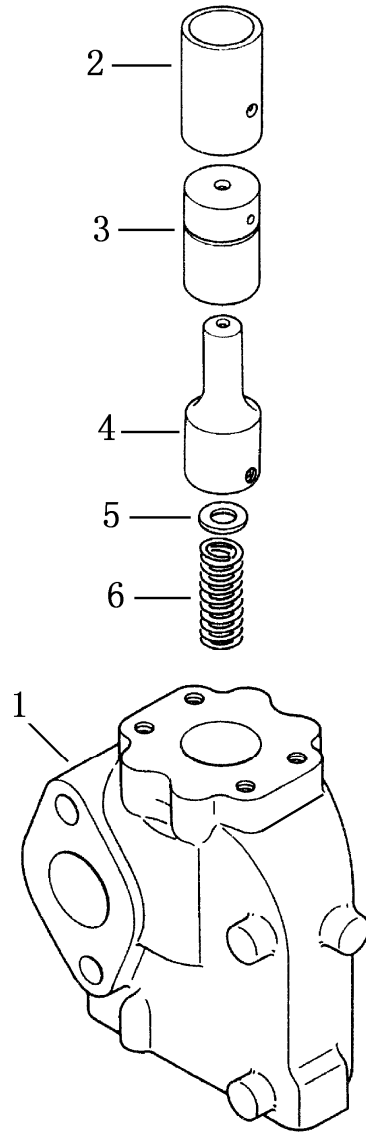
第 617 图 铲刀提升油缸 (1/2)
 FIG. 617 BLADE LIFT CYLINDER



铲刀提升油缸 (1/2)
BLADE LIFT CYLINDER

序号 Index No.	件号 Part No.	名称 Description	数量 Q'ty		
			SD23	SD23E SD23D	SD23S SD23R
617-26	154-63-14100	阀总成 valve ass'y	1	1	
	154-63-14200	阀总成 valve ass'y			1
27	01011-51615	螺栓 bolt	2	2	2
28	01602-21648	垫圈 washer	2	2	2
29	154-61-73190	管(左) tube L.H	1		
	154-61-73320	管(左) tube L.H		1	
	154-61-78150	管 tube			1
	154-61-73210	管(右) tube R.H	1		
	154-61-73330	管(右) tube R.H		1	
30	07000-13038	O型圈 o-ring	2	2	2
31	07000-13045	O型圈 o-ring	1	1	1
32	01010-51260	螺栓 bolt	2	2	2
33	01010-51270	螺栓 bolt	3	3	3
34	01643-31232	垫圈 washer	7	7	7
35	20D-62-21430	管卡 clamp	1	1	1
36	01010-51250	螺栓 bolt	1	1	1
37	154-61-73230	管(左) tube L.H	1		
	154-61-73340	管(左) tube L.H		1	
	154-61-78160	管(左) tube L.H			1
	154-61-73240	管(右) tube R.H	1		
	154-61-73350	管(右) tube R.H		1	
	154-61-78170	管(右) tube R.H			1
38	07000-13048	O型圈 o-ring	1	1	1
39	01010-51065	螺栓 bolt	4	4	4
40	01643-31032	垫圈 washer	12	6	6
41	07000-13030	O型圈 o-ring	1	1	1
42	01010-50855	螺栓 bolt	2	2	2
43	01010-50840	螺栓 bolt	2	2	2
44	01643-30823	垫圈 washer	4	4	4
45	154-61-73260	板(左) plate L.H	1		
	154-61-73270	板(右) plate R.H	1		
46	07823-32738	U型管夹 clip	3		
47	01599-01011	螺母 nut	6		
48	07282-12793	管夹 clamp	1	1	1
49	01010-51020	螺栓 bolt	2	2	2
50	154-61-99895	板 plate	1		
	154-63-15190	板 plate		1	1
51	01010-51245	螺栓 bolt	1	1	1

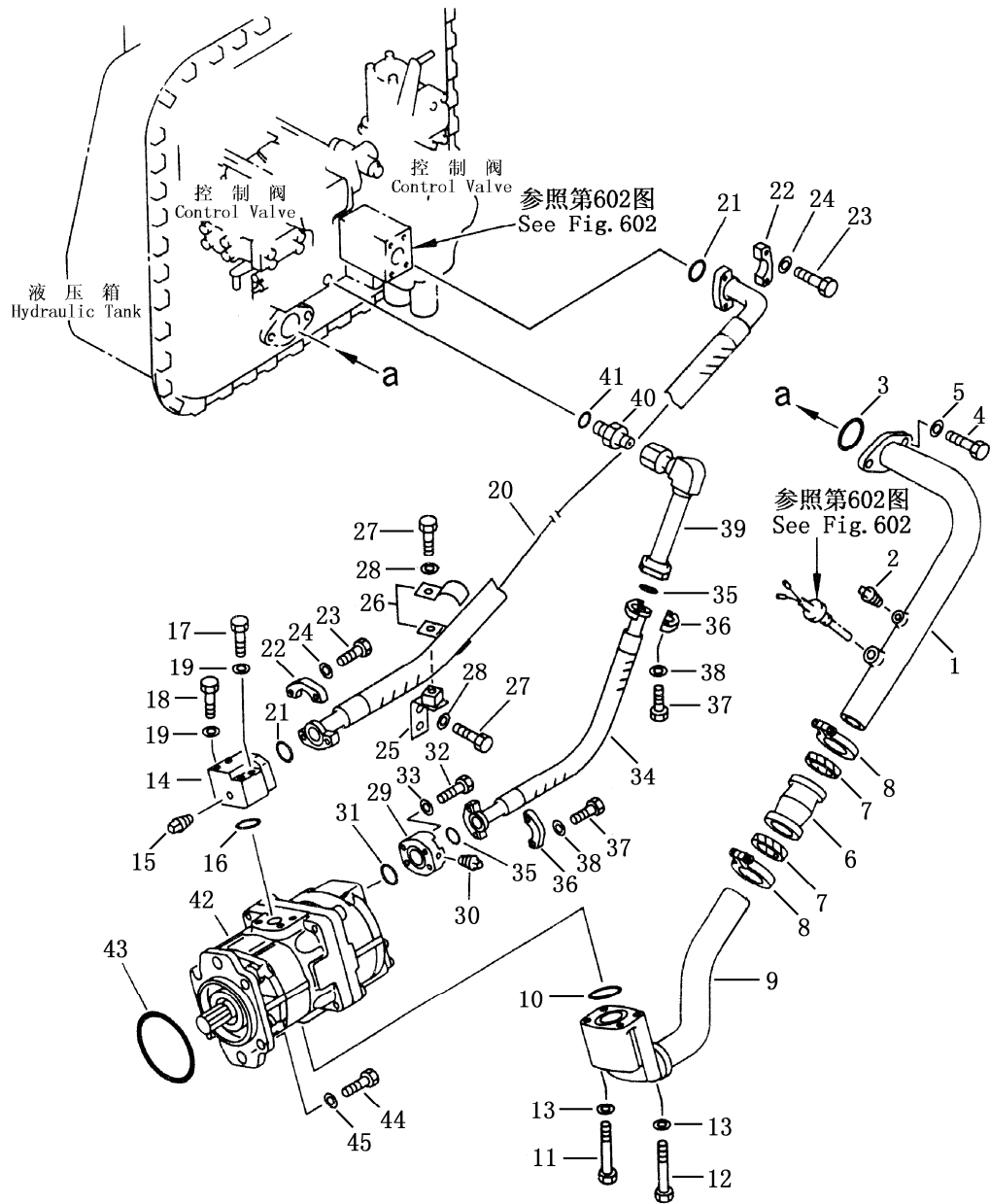
第 618 图 铲刀提升油缸 (2/2)
FIG. 618 BLADE LIFT CYLINDER



铲刀提升油缸 (2/2)
BLADE LIFT CYLINDER

序号 Index No.	件号 Part No.	名称 Description	数量 Q'ty		
			SD23	SD23E SD23D	SD23S SD23R
618-1	154-63-14100	阀总成 valve ass'y	1	1	
	154-63-14200	阀总成 valve ass'y			1
	175-63-14111	快降阀体 body quick drop valve	1	1	
2	707-81-10020	套 collar	1	1	
	175-63-14460	套 collar			1
3	195-63-14150	阀 valve	1	1	1
4	195-63-14140	阀 valve	1	1	1
5	01642-21216	垫圈 washer	1	1	1
6	195-63-14180	弹簧 spring	1	1	1

第 619 图 液压管路 (油箱至泵)
 FIG. 619 HYDRAULIC PIPING (TANK TO PUMP)

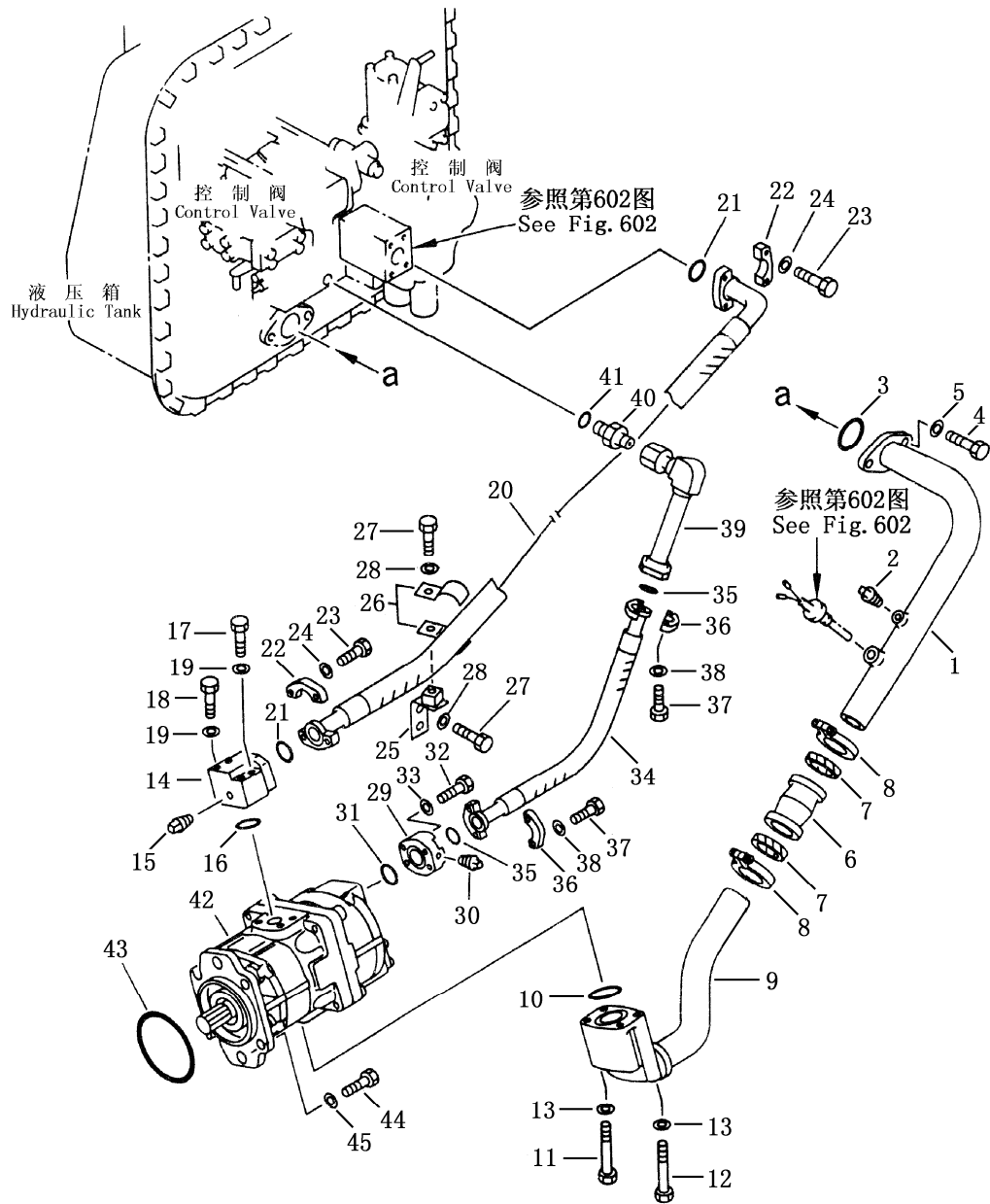


液压管路（油箱至泵）

HYDRAULIC PIPING (TANK TO PUMP)

序号 Index No.	件号 Part No.	名称 Description	数量 Q'ty
619-1	154-60-71250	管 tube	1
2	07042-30108	螺塞 plug	1
3	07000-03050	O型圈 o-ring	1
4	01010-51235	螺栓 bolt	2
5	0143-31232	垫圈 washer	2
6	07332-01400	联结器总成 coupling ass'y	1
7	07332-51400	密封圈 gasket	1
8	07332-61400	管头 clamp	2
9	154-60-71260	管 tube	1
10	07000-02055	O型圈 o-ring	1
11	01011-51200	螺栓 bolt	2
12	01011-51240	螺栓 bolt	2
13	01643-31232	垫圈 washer	4
14	154-60-71340	弯管接头 elbow	1
15	07042-30108	螺塞 plug	1
16	07000-03035	O型圈 o-ring	1
17	01010-51070	螺栓 bolt	2
18	01010-51085	螺栓 bolt	2
19	01643-31032	垫圈 washer	4
20	07124-01009	软管 hose	1
21	07000-13032	O型圈 o-ring	2
22	07371-31049	分离式法兰 flange split	4
23	07372-21035	螺栓 bolt	8
24	01643-51032	垫圈 washer	8
25	154-60-71290	支架 bracket	1
26	195-49-11870	管夹 clamp	2
27	01010-51225	螺栓 bolt	3
28	01643-31232	垫圈 washer	3
29	154-60-71271	垫 spacer	1
30	07042-30108	螺塞 plug	1

第 619 图 液压管路 (油箱至泵)
 FIG. 619 HYDRAULIC PIPING (TANK TO PUMP)

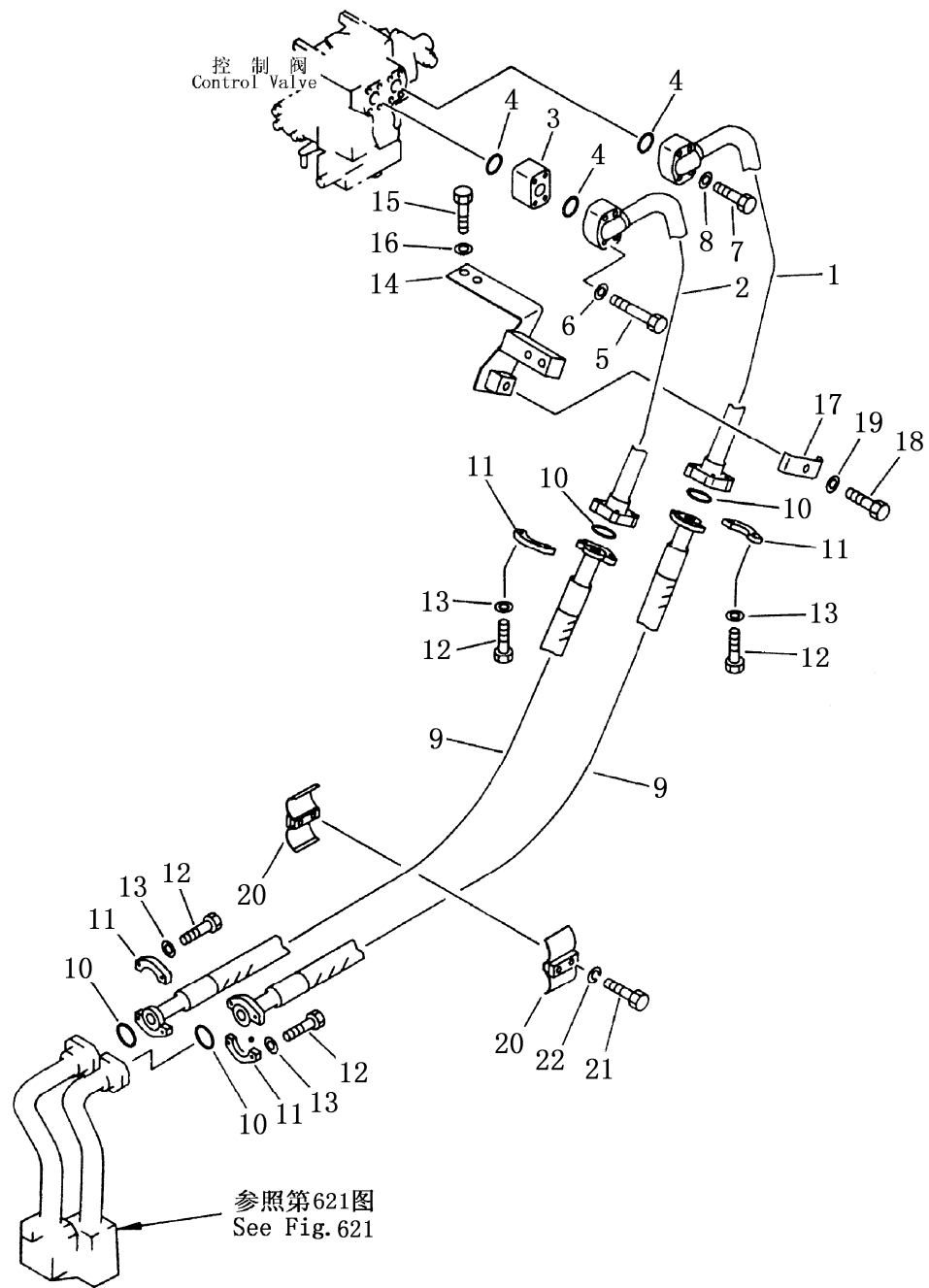


液压管路（油箱至泵）

HYDRAULIC PIPING (TANK TO PUMP)

序号 Index No.	件号 Part No.	名称 Description	数量 Q'ty
619-31	07000-13032	0型圈 O-ring	1
32	07372-21035	螺栓 bolt	4
33	01643-51032	垫圈 washer	4
34	07125-00605	软管 hose	1
35	07000-13025	0型圈 O-ring	2
36	07371-30638	分离式法兰 flange split	4
37	01010-50830	螺栓 bolt	8
38	01643-50823	垫圈 washer	8
39	154-60-71280	弯 tube	1
40	07230-20628	接头 union	1
41	07002-12434	0型圈 O-ring	1
42	705-51-30190	泵总成 pump ass'y	1
43	07000-02130	0型圈 O-ring	1
44	01010-51235	螺栓 bolt	4
45	01643-31232	垫圈 washer	4

第 620 图 液压管路 (油箱至提升油缸) (1/2)
 FIG.620 HYDRAULIC PIPING (TANK TO LIFT CYLINDER)

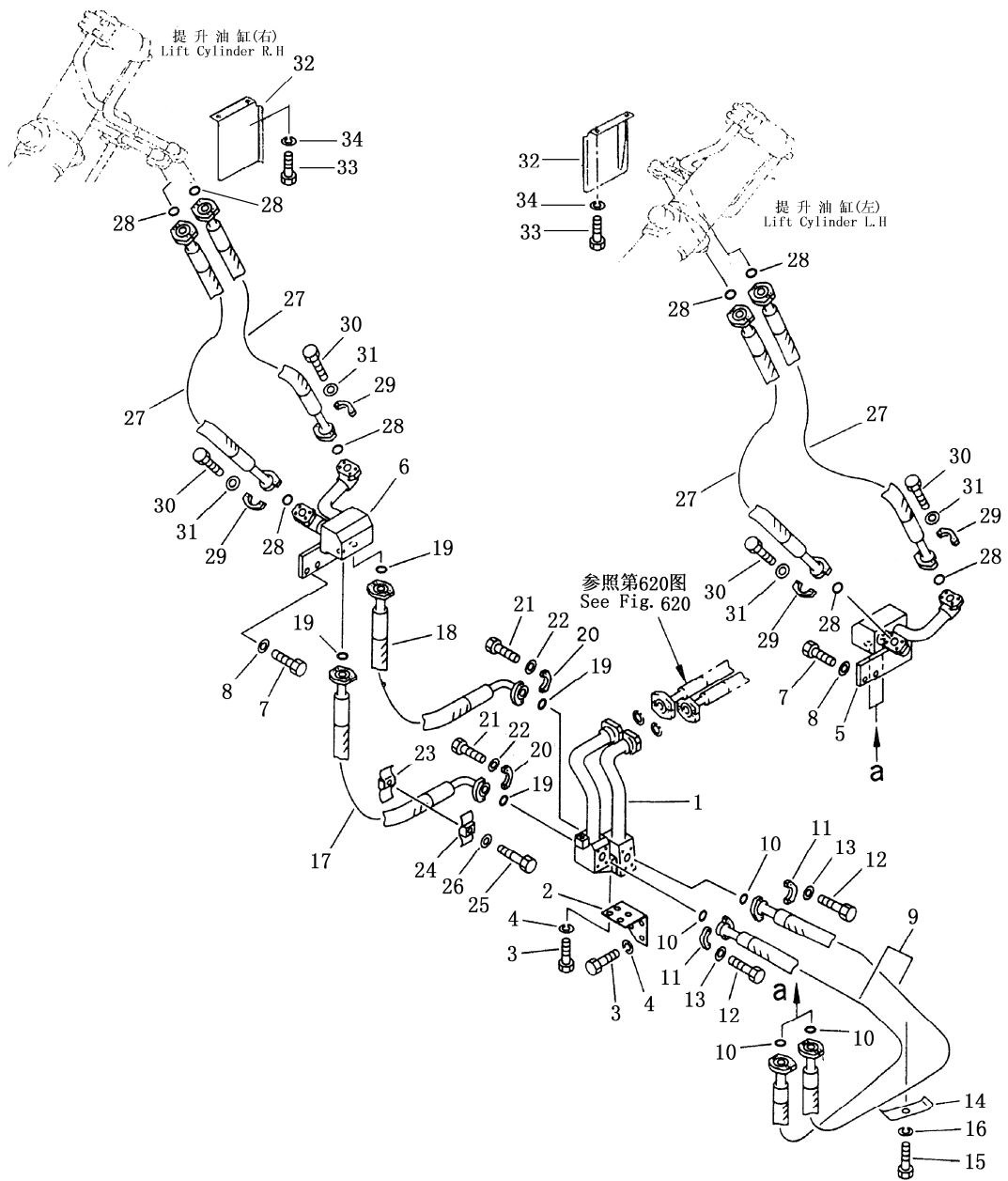


液压管路（油箱至提升油缸）（1/2）

HYDRAULIC PIPING（TANK TO LIFT CYLINDER）

序号 Index No.	件号 Part No.	名称 Description	数量 Q'ty		
			SD23	SD23E SD23D	SD23S SD23R
620-1	154-61-73110	管 tube	1	1	1
2	154-61-73120	管 tube	1	1	1
3	154-61-73140	垫 spacer	1	1	1
4	07000-13035	O型圈 O-ring	3	3	3
5	01011-51005	螺栓 bolt	4	4	4
6	01643-31032	垫 spacer	4	4	4
7	01010-51060	螺栓 bolt	4	4	4
8	01643-31032	垫圈 washer	4	4	4
9	07125-01014	软管 hose	2	2	
	07125-01031	软管 hose			1
	07125-01030	软管 hose			1
10	07000-13032	O型圈 O-ring	4	4	4
11	07371-31049	分离式法兰 flange split	8	8	8
12	01010-51035	螺栓 bolt	16	16	16
13	01643-51032	垫圈 washer	16	16	16
14	154-61-73130	支架 bracket	1	1	1
15	01010-51225	螺栓 bolt	2	2	2
16	01643-31232	垫圈 washer	2	2	2
17	20Y-62-12620	管夹 clamp	1	1	1
18	01010-51230	螺栓 bolt	1	1	1
19	01643-31232	垫圈 washer	1	1	1
20	195-61-16170	管夹 clamp	2	2	6
21	01010-51275	螺栓 bolt	2	2	4
22	01602-21236	垫圈 washer	2	2	6

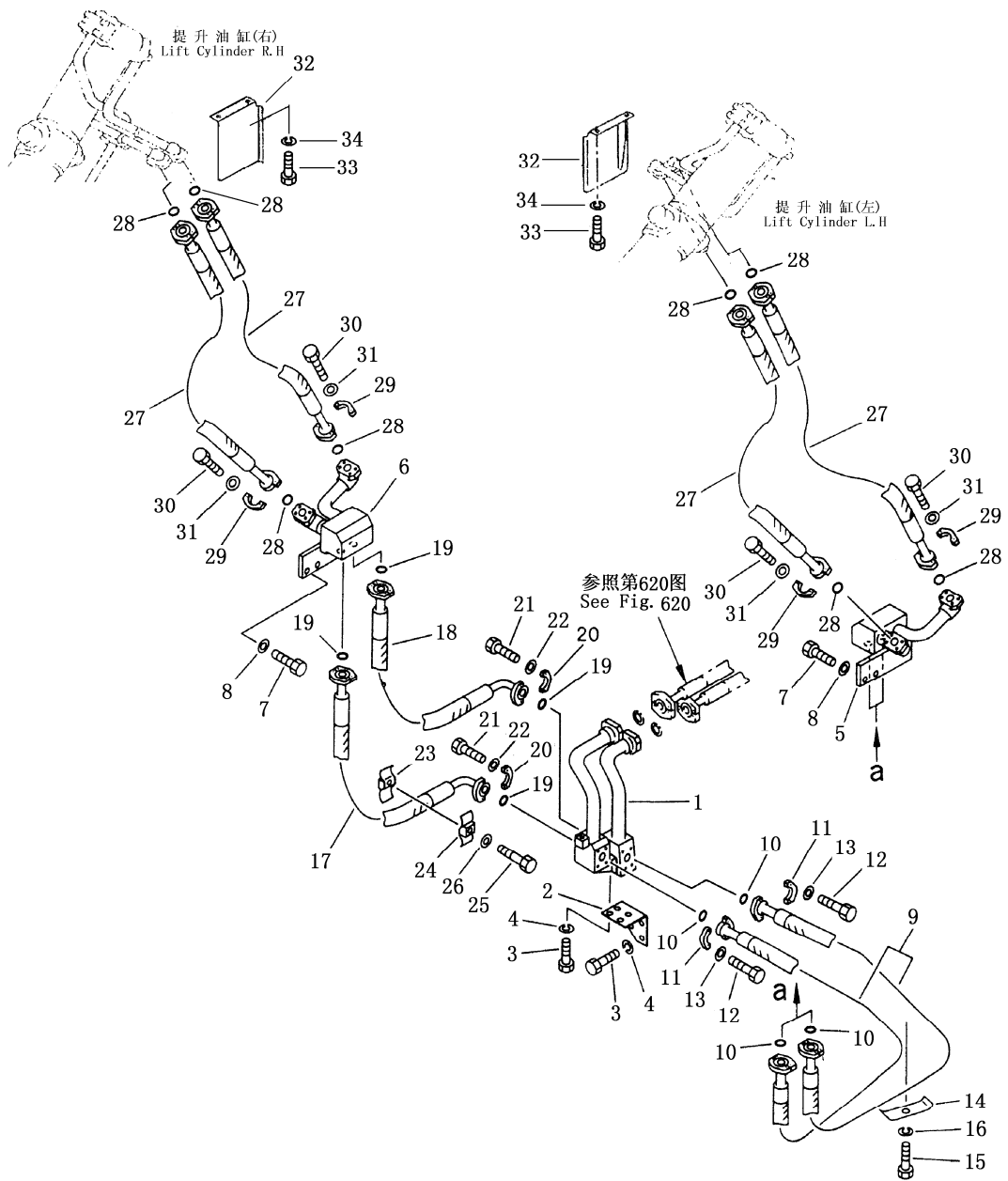
第 621 图 液压管路（油箱至提升油缸）（2/2）
 FIG. 621 HYDRAULIC PIPING (TANK TO LIFT CYLINDER)



液压管路（油箱至提升油缸）（2/2）
HYDRAULIC PIPING（TANK TO LIFT CYLINDER）

序号 Index No.	件号 Part No.	名称 Description	数量 Q'ty		
			SD23	SD23E SD23D	SD23S SD23R
621-1	154-61-73150	管 tube	1	1	
2	154-61-73160	支架 bracket	1	1	
3	01010-51225	螺栓 bolt	7	7	
4	01602-21236	垫圈 washer	7	7	
5	154-61-73170	管座（左） pedestal L.H	1	1	
	154-61-78120	管座（左） pedestal L.H			1
6	154-61-73180	管座（右） pedestal R.H	1	1	
	154-61-78110	管座（右） pedestal R.H			1
7	01010-51235	螺栓 bolt	4	4	
	01010-51245	螺栓 bolt			6
8	01643-31232	垫圈 washer	4	4	6
9	07125-00611	软管 hose	2	2	
10	07000-13025	O型圈 O-ring	4	4	4
11	07371-30638	分离式法兰 flange split	8	8	8
12	01010-50830	螺栓 bolt	16	16	16
13	01643-50823	垫圈 washer	16	16	16
14	150-19-25310	管夹 clamp	2	2	
15	01010-51230	螺栓 bolt	1	1	
16	01602-21236	垫圈 washer	1	1	
17	07124-00606	软管 hose	1	1	
18	07124-00608	软管 hose	1	1	
	07125-00610	软管 hose			2
19	07000-13025	o型圈 O-ring	4	4	
20	07371-30638	分离式法兰 flange split	8	8	
21	01010-50830	螺栓 bolt	16	16	
22	01643-50823	垫圈 washer	16	16	
23	176-61-41410	管夹 clamp	1	1	
24	176-61-41420	管夹 clip	1	1	
25	01010-51040	螺栓 bolt	1	1	
26	01643-31032	垫圈 washer	1	1	

第 621 图 液压管路（油箱至提升油缸）（2/2）
 FIG. 621 HYDRAULIC PIPING (TANK TO LIFT CYLINDER)



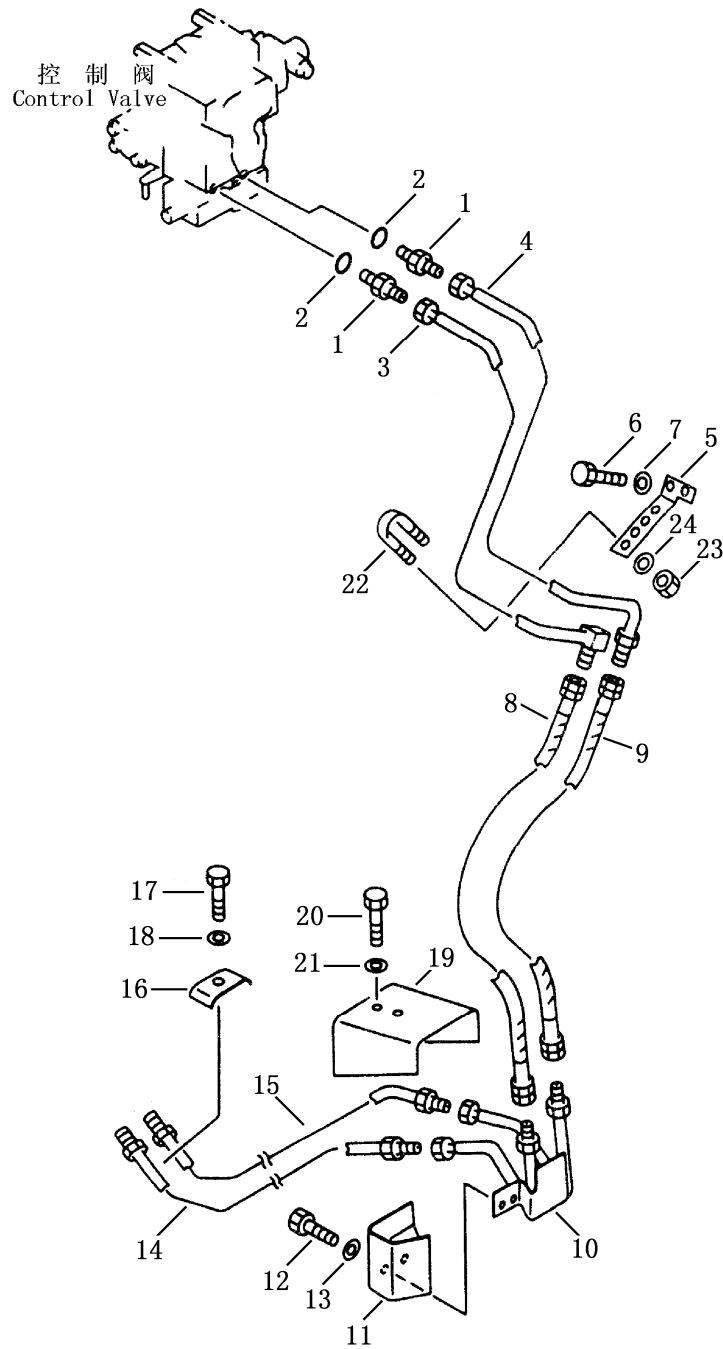
液压管路（油箱至提升油缸）（2/2）
HYDRAULIC PIPING（TANK TO LIFT CYLINDER）

序号 Index No.	件号 Part No.	名称 Description	数量 Q'ty		
			SD23	SD23E SD23D	SD23S SD23R
621-27	07125-00610	软管 hose	4	4	
	07122-20611	软管 hose			4
28	07000-13025	O型圈 O-ring	8	8	8
29	07371-30638	分离式法兰 flange split	16	16	16
30	01010-50830	螺栓 bolt	32	32	32
31	01643-50823	垫圈 washer	32	32	32
32	15A-61-21110	罩 cover		2	
33	01010-51225	螺栓 bolt		4	
34	01643-31232	垫圈 washer		4	

第 622 图

液 压 管 路 (油 箱 至 倾 斜 油 缸)

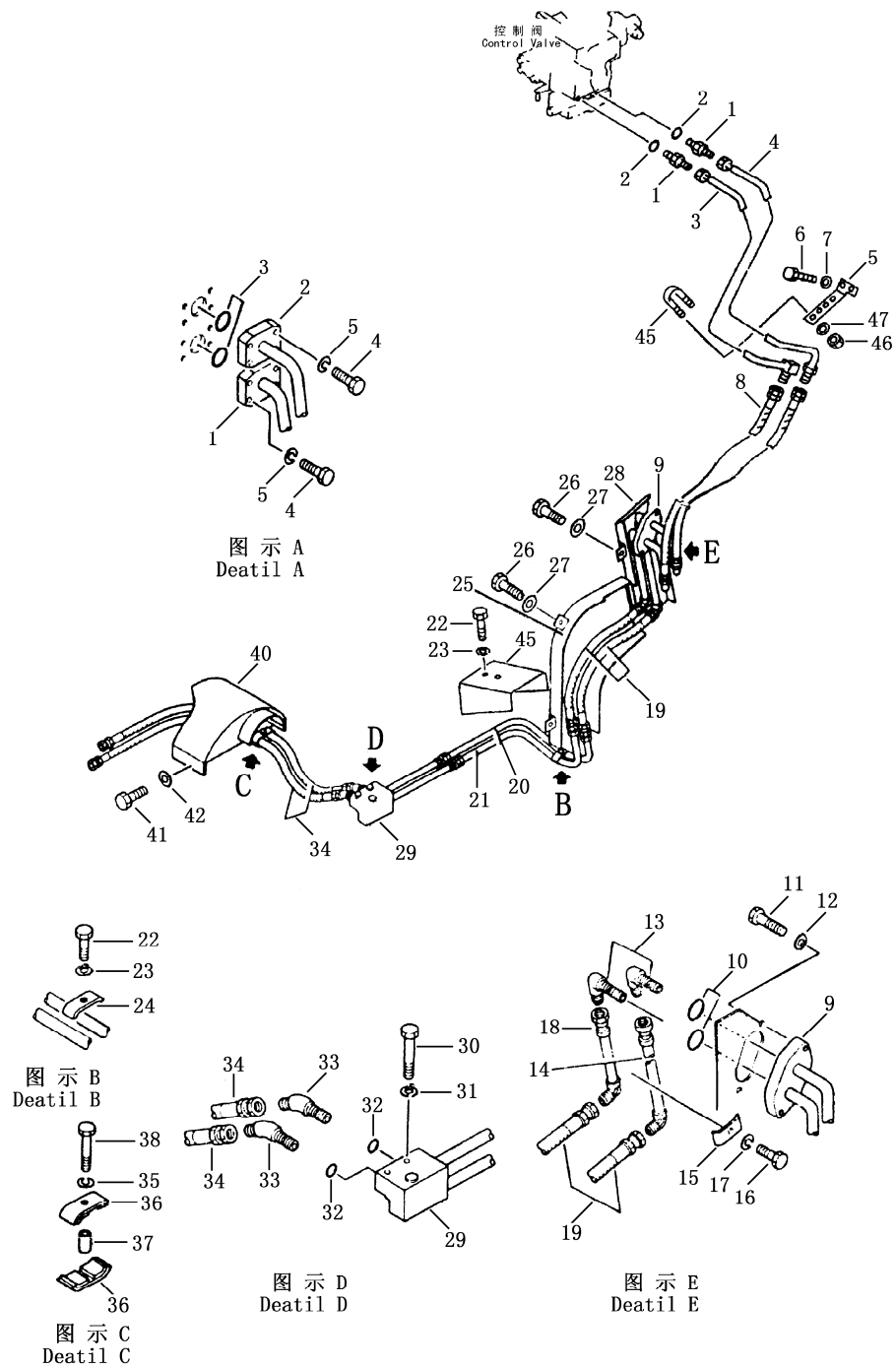
FIG.622 HYDRAULIC PIPING (TANK TO TILT CYLINDER)



液压管路（油箱至倾斜油缸）
HYDRAULIC PIPING（TANK TO TILT CYLINDER）

序号 Index No.	件号 Part No.	名称 Description	数量 Q'ty	
			SD23	SD23E SD23D
622-1	17Y-63A-00001	接头 joint	2	2
	17Y-63A-00002	接头(装角铲时用) joint	2	2
2	07002-12034	O型圈 O-ring	2	2
3	154-61-74110	管 tube	1	
	154-61-74410	管 tube		1
4	154-61-74120	管 tube	1	
	154-61-74420	管 tube		1
5	154-61-74150	支架 steadier	1	1
6	01010-51230	螺栓 bolt	2	2
7	01643-31232	垫圈 washer	2	2
8	07123-00408	软管 hose	1	1
9	07123-00407	软管 hose	1	1
10	154-61-74160	管 tube	1	1
11	154-61-74190	罩 cover	1	1
12	01010-51235	螺栓 bolt	2	2
13	01643-31232	垫圈 washer	2	2
14	154-61-74170	管 tube	1	
	154-61-74220	管 tube		1
15	154-61-74180	管 tube	1	
	154-61-74230	管 tube		1
16	176-62-13270	管夹 clamp	1	1
17	01010-51225	螺栓 bolt	1	1
18	01643-31232	垫圈 washer	1	1
19	154-920-2182	支架 steadier	1	1
20	01010-51230	螺栓 bolt	2	2
21	01643-31232	垫圈 washer	2	2
22	07283-22236	U型管夹 clip	2	2
23	01599-01011	锁紧螺母 nut	4	4
24	01643-31032	垫圈 washer	4	4

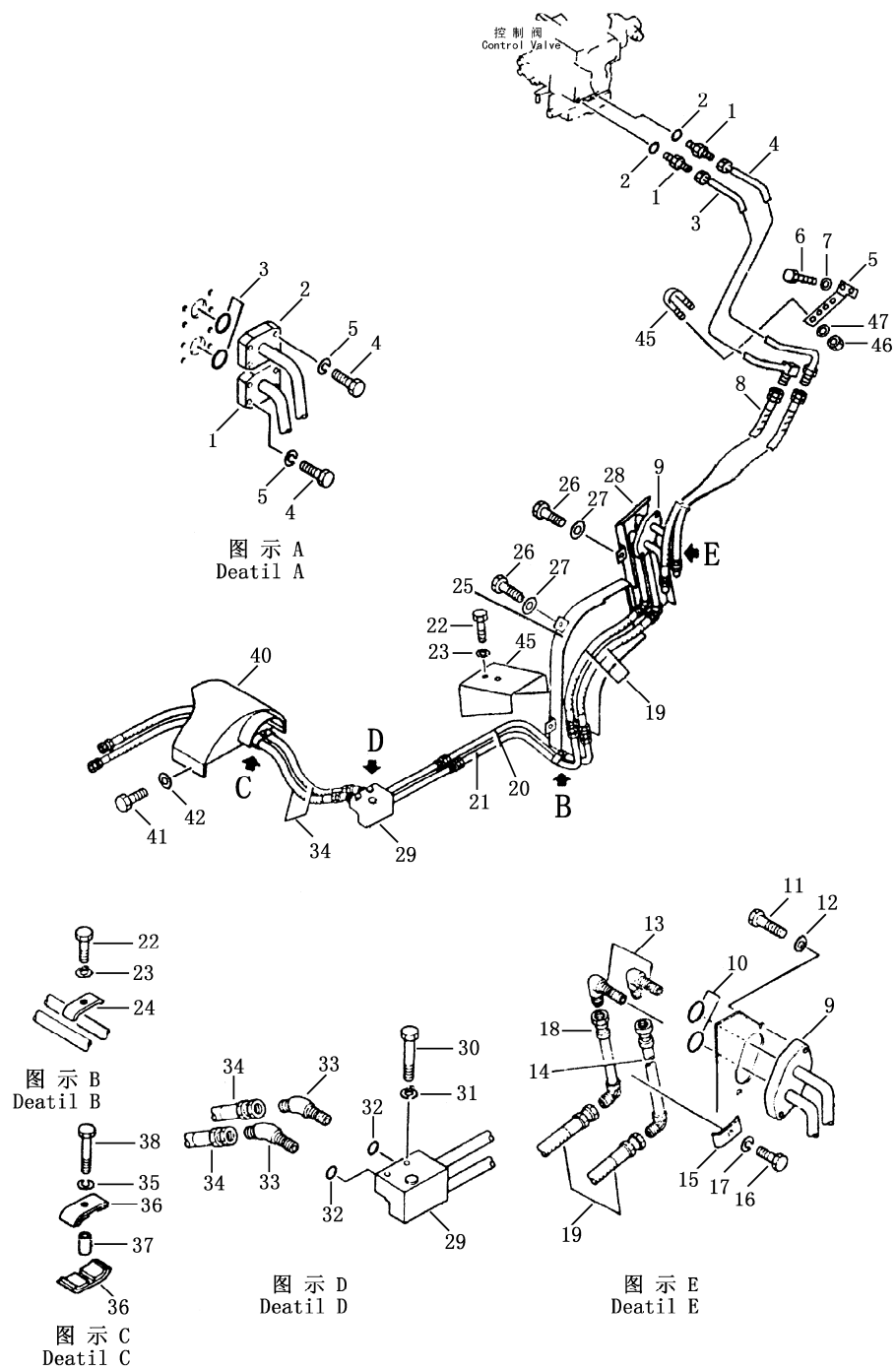
第 623 图 液压管路（油箱至倾斜油缸）（SD23S 用）
 FIG. 623 HYDRAULIC PIPING (TANK TO CYLINDER) (FOR SD23S)



液压管路（油箱至倾斜油缸）（SD23S 用）
HYDRAULIC PIPING（TANK TO CYLINDER）（FOR SD23S）

序号 Index No.	件号 Part No.	名称 Description	数量 Q'ty
			SD23S SD23R
623-1	17Y-63A-00001	接头 joint	2
2	07002-12034	O型圈 O-ring	2
3	154-61-76110	管 tube	1
4	154-61-76120	管 tube	1
5	154-61-76130	支架 bracket	1
6	01010-51230	螺栓 bolt	2
7	01643-31232	垫圈 washer	2
8	07123-40403	软管 hose	2
9	154-61-76140	管 tube	1
10	07002-12034	O型圈 O-ring	2
11	01010-51435	螺栓 bolt	2
12	01643-31405	垫圈 washer	2
13	07235-10422	接头 union	2
14	154-61-76160	管 tube	1
15	10E-62-23140	管夹 clamp	1
16	01010-51025	螺栓 bolt	1
17	01643-01643	垫圈 washer	1
18	154-61-76150	管 tube	1
19	07123-40406	软管 hose	2
20	154-61-76180	管 tube	1
21	154-61-76170	管 tube	1
22	01010-51430	螺栓 bolt	1
23	01643-31445	垫圈 washer	1
24	154-71-31410	管夹 clamp	1
25	154-61-24420	罩 cover	1
26	01010-51430	螺栓 bolt	4
27	01643-31445	垫圈 washer	4
28	154-61-76220	罩 cover	1
29	154-61-76190	管 tube	1
30	01010-51260	螺栓 bolt	2
31	01643-31232	垫圈 washer	2
32	07002-12634	O型圈 O-ring	2
33	07236-10422	接头 union	2
34	07123-40412	软管 hose	2

第 623 图 液压管路（油箱至倾斜油缸）（SD23S 用）
 FIG. 623 HYDRAULIC PIPING (TANK TO CYLINDER) (FOR SD23S)

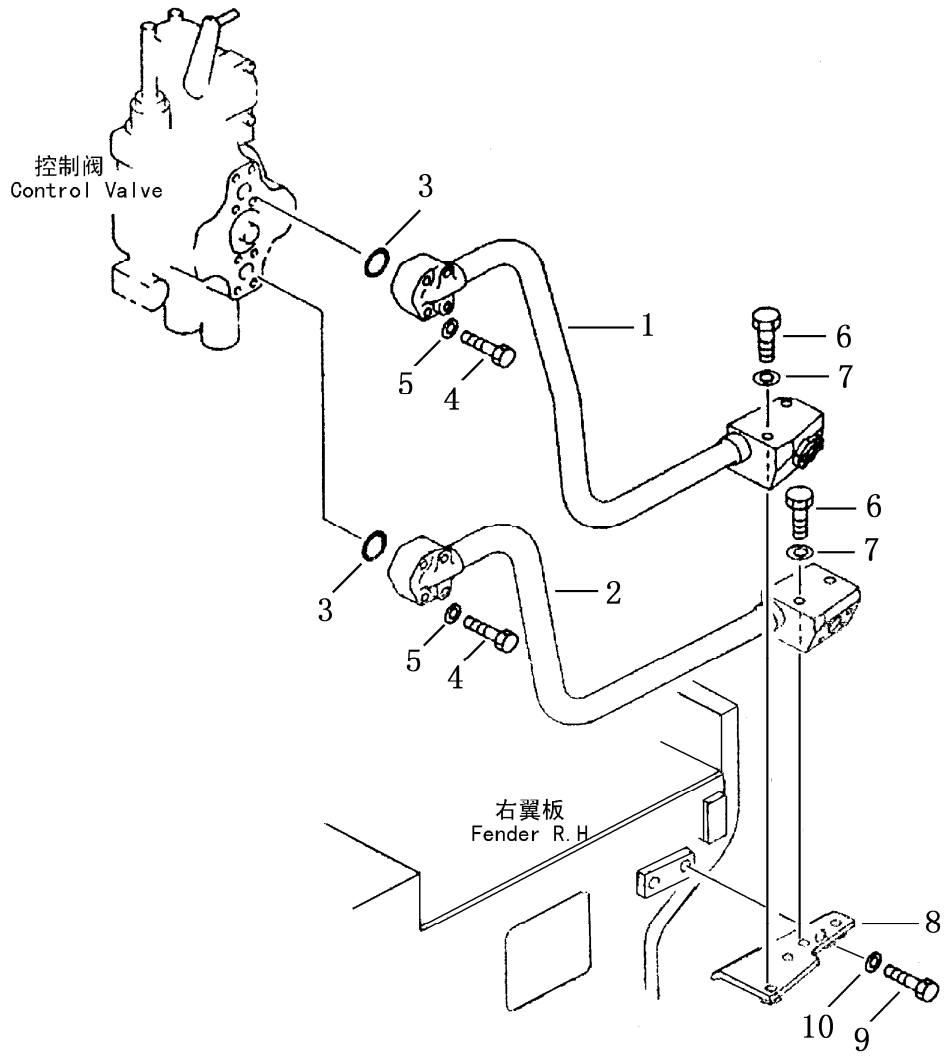


液压管路（油箱至倾斜油缸）（SD23S 用）

HYDRAULIC PIPING (TANK TO CYLINDER) (FOR SD23S)

序号 Index No.	件号 Part No.	名称 Description	数量 Q'ty	
			SD23S	SD23R
623-35	01643-31445	垫圈 washer	1	
36	154-71-31460	管夹 clamp	2	
37	154-61-24390	管 tube	1	
38	01010-51480	螺栓 bolt	1	
40	154-61-24432	罩 cover	1	
41	01010-51435	螺栓 bolt	4	
42	01643-31445	垫圈 washer	4	
45	07283-22236	U型管夹 clip	2	
46	01599-01011	锁紧螺母 nut	4	
47	01643-31032	垫圈 washer	4	

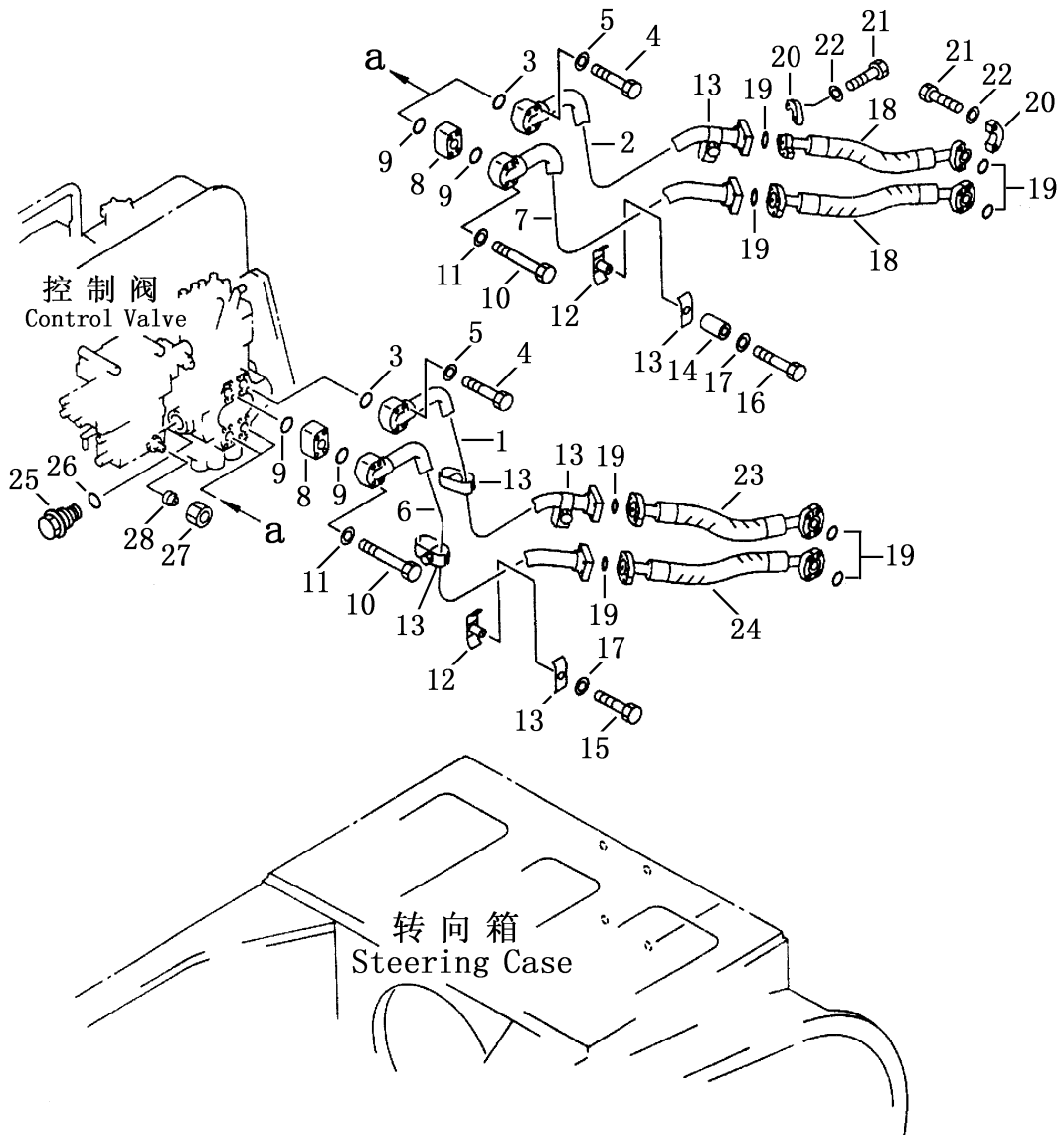
第 624 图 液压管路（油箱至三齿松土器油缸）
 FIG.624 HYDRAULIC PIPING (TANK TO THREE SHANK
 RIPPER CYLINDER)



液压管路（油箱至三齿松土器油缸）
HYDRAULIC PIPING（TANK TO THREE
SHANK RIPPER CYLINDER）

序号 Index No.	件 号 Part No.	名 称 Description	数量 Q'ty
624-1	154-61-77110	管 tube	1
2	154-61-77120	管 tube	1
3	07000-13035	O 型圈 O-ring	2
4	01010-51060	螺栓 bolt	8
5	01643-31032	垫圈 washer	8
6	01010-51290	螺栓 bolt	4
7	01643-31232	垫圈 washer	4
8	154-61-77130	支架 bracket	1
9	01010-51230	螺栓 bolt	2
10	01643-31232	垫圈 washer	2

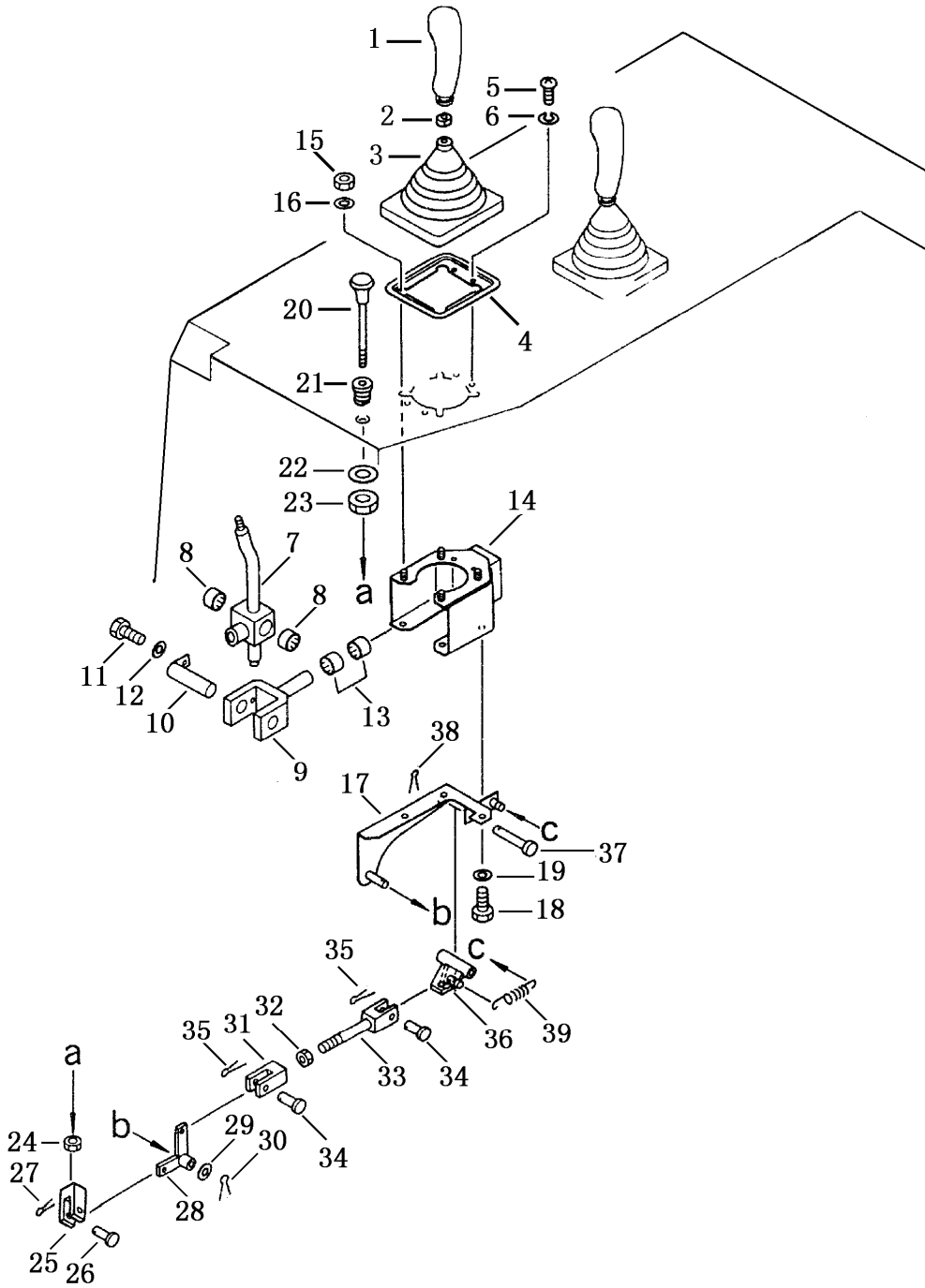
第 625 图 液压管路（油箱至单齿松土器油缸）
 FIG. 625 HYDRAULIC PIPING (TANK TO SINGLE SHANK RIPPER CYLINDER)



液压管路（油箱至单齿松土器油缸）
HYDRAULIC PIPING（TANK TO SINGLE SHANK
RIPPER CYLINDER）

序号 Index No.	件号 Part No.	名称 Description	数量 Q'ty
625-1	154-61-79110A	管 tube	1
2	154-61-79120A	管 tube	1
3	07000-13035	O型圈 O-ring	2
4	01010-51065	螺栓 bolt	8
5	01643-31032	垫圈 washer	8
6	154-61-79130A	管 tube	1
7	154-61-79140A	管 tube	1
8	154-61-73140	垫座 spacer	2
9	07000-13035	O型圈 O-ring	4
10	01011-51005	螺栓 bolt	8
11	01643-31032	垫圈 washer	8
12	154-61-79150	夹 clamp	6
13	154-61-79160	夹 clamp	6
14	113-03-21170	垫座 spacer	1
15	01010-51020	螺栓 bolt	5
16	01010-51055	螺栓 bolt	1
17	01643-31032	垫圈 washer	6
18	07122-01006	软管 hose	2
19	07000-13032	O型圈 O-ring	8
20	07371-31049	分离式法兰 flange split	16
21	01010-51035	螺栓 bolt	32
22	01643-51032	垫圈 washer	32
23	07124-01007	软管 hose	1
24	07122-01007	软管 hose	1
25	07044-13620	螺塞 plug	1
26	07002-13634	O型圈 O-ring	1
27	07221-20628	螺母 nut	1
28	07222-00616	螺塞 plug	1

第 626 图 铲刀操纵杆
 FIG. 626 BLADE CONTROL LEVER

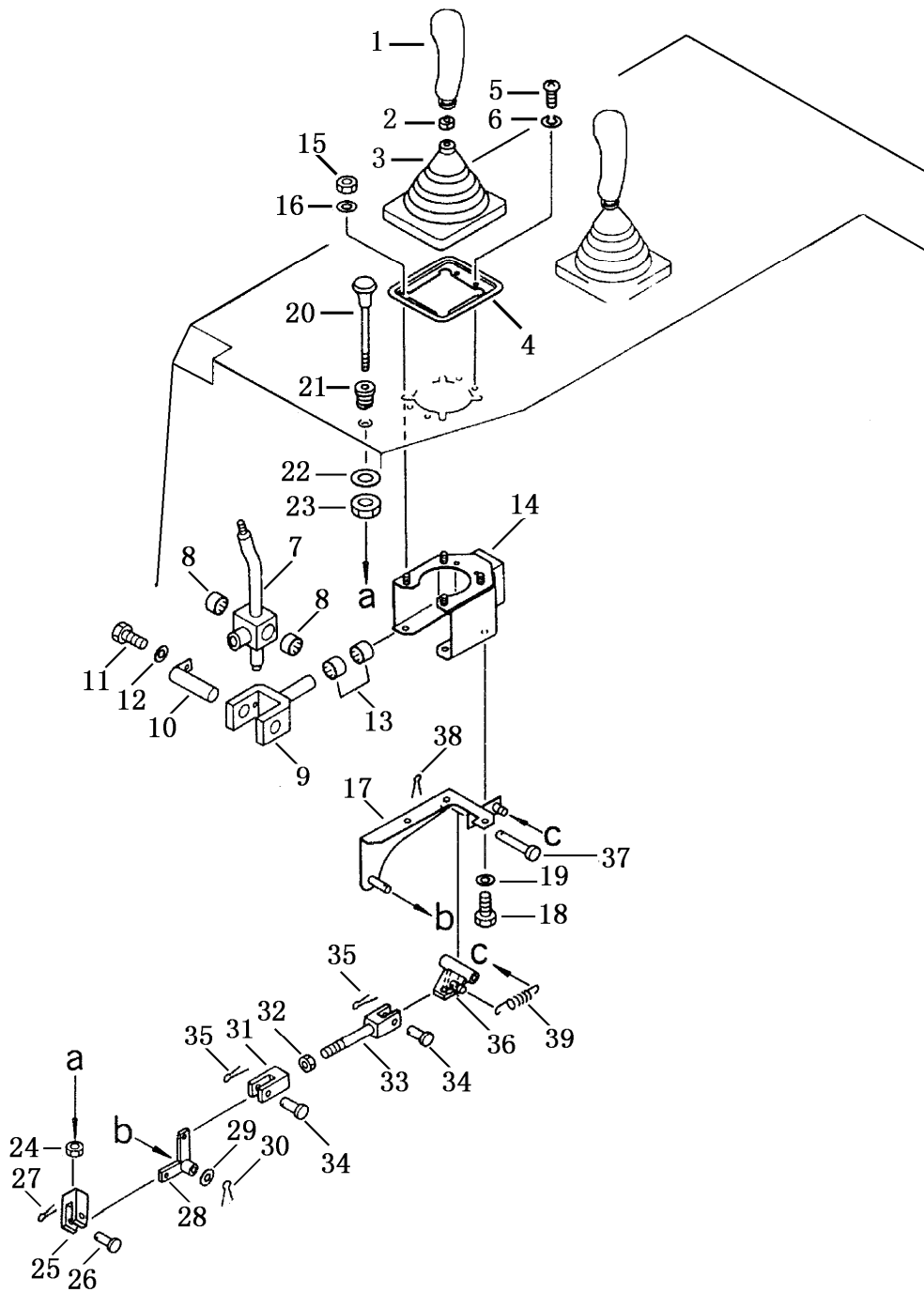


铲刀操纵杆

BLADE CONTROL LEVER

序号 Index No.	件号 Part No.	名称 Description	数量 Q'ty
626-1	16Y-86C-11000	手柄 knob	1
2	195-43-44220	螺母 nut	1
3	195-61-45140	护罩 almuce	1
4	195-61-45130	座 pedestal	1
5	01220-40508	螺母 nut	4
6	01601-20513	垫圈 washer spring	4
7	195-61-45160	摇臂 lever	1
8	195-61-34130	轴承 bearing needle	2
9	195-61-45180	轭 yoke	1
10	195-61-45170	销 pin	1
11	01010-50816	螺栓 bolt	1
12	01643-30823	垫圈 washer	1
13	195-61-45440	轴承 bearing needle	2
14	195-61-45110	支架 steadier	1
15	01580-10806	螺母 screw	4
16	01643-30823	垫圈 washer	4
17	195-61-45240	支架 bracket	1
18	01010-50816	螺栓 bolt	3
19	01643-30823	垫圈 washer	3
20	195-61-45211	按钮 knob	1
21	175-61-31750	凸块 boss	1
22	01640-22232	垫圈 washer	1
23	195-61-45230	螺母 screw	1
24	01580-10806	螺母 screw	1
25	04211-20844	接头 union	1
26	04205-10822	销轴 pin	1
27	04050-12015	开口销 pin cotter	1
28	195-61-45260	摇臂 lever	1
29	01641-20812	垫圈 washer	1
30	04050-12015	开口销 pin cotter	1
31	04210-20832	叉口板 yoke	1
32	01580-10806	螺母 nut	1
33	04244-40810	杆 rod	1

第 626 图 铲刀操纵杆
 FIG. 626 BLADE CONTROL LEVER



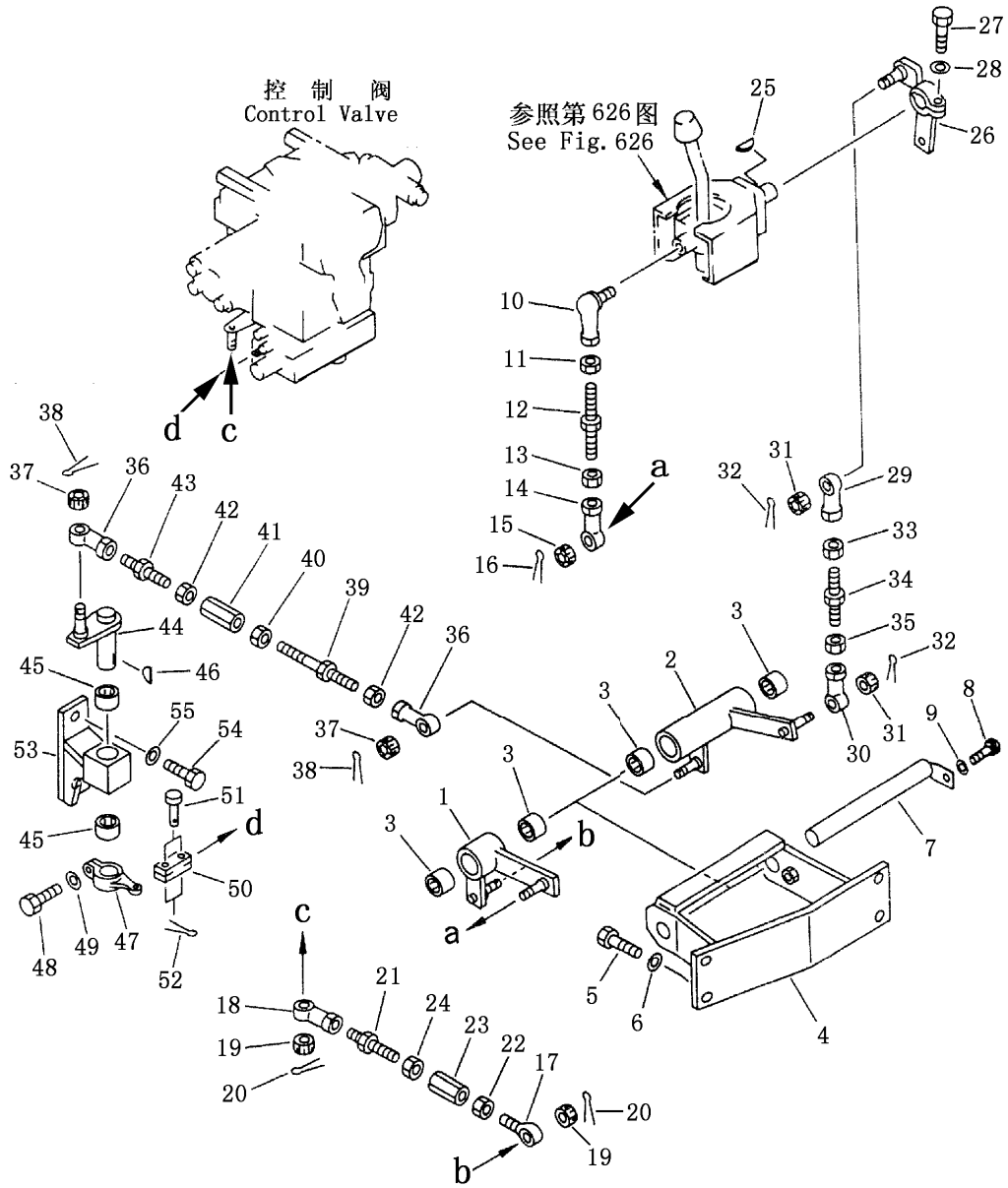
铲刀操纵杆

BLADE CONTROL LEVER

序号 Index No.	件号 Part No.	名称 Description	数量 Q'ty
626-34	04205-10822	销轴 pin	2
35	04050-12015	开口销 pin cotter	2
36	195-61-45270	摇臂 rockerarm	1
37	195-61-45280	销轴 pin	1
38	04050-12015	开口销 pin cotter	1
39	195-61-45290	弹簧 spring	1

第 627 图
FIG. 627

铲刀操纵联杆
BLADE CONTROL LINKAGE



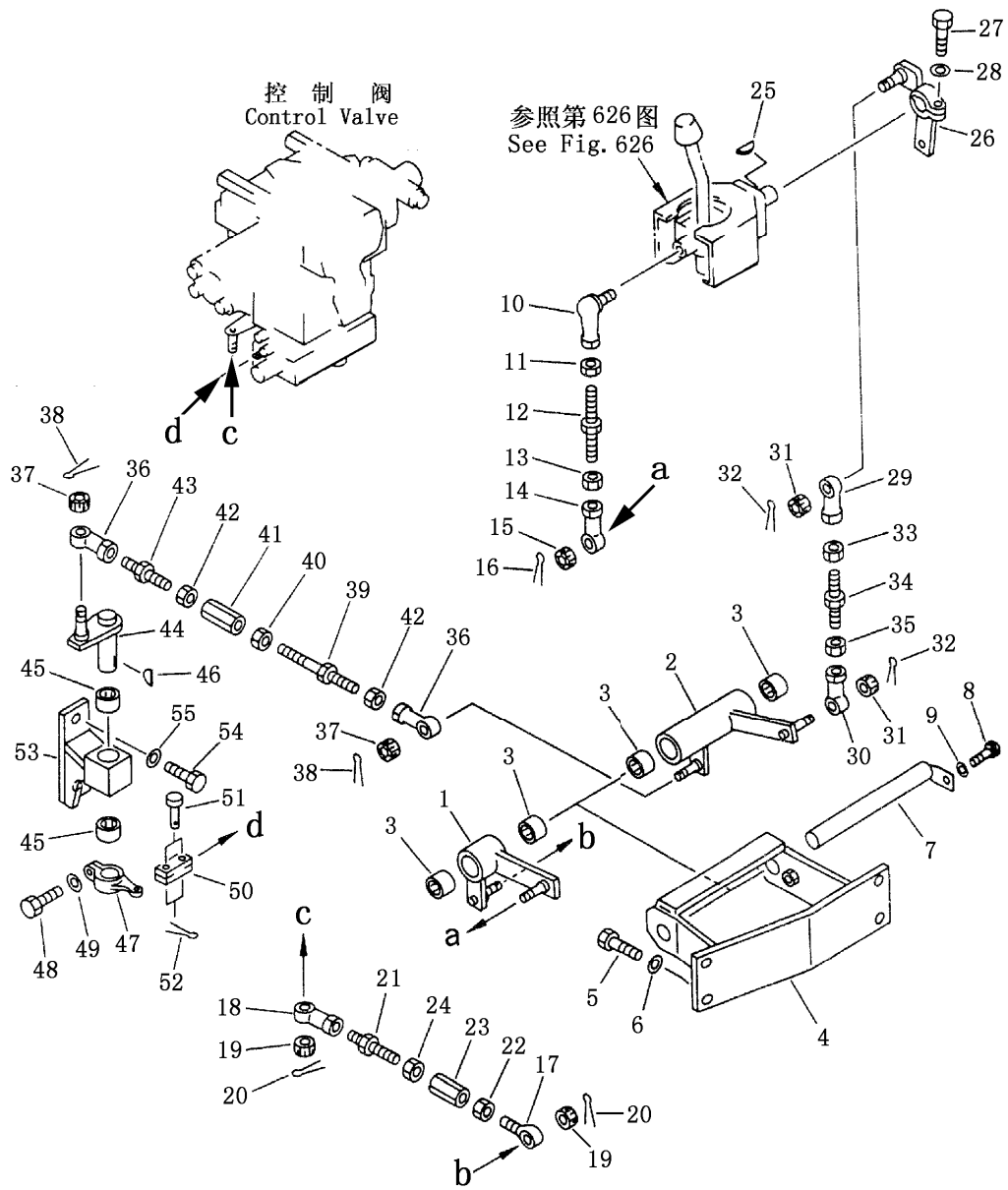
铲刀操纵联杆

BLADE CONTROL LINKAGE

序号 Index No.	件号 Part No.	名称 Description	数量 Q'ty
627-1	154-61-75160	摇臂 rockerarm	1
2	154-61-75150	摇臂 rockerarm	1
3	195-61-34140	轴承 bearing needle	4
4	154-61-75130	支架 steadier	1
5	01010-51230	螺栓 M12×30 bolt	4
6	01643-31232	垫圈 washer	4
7	154-61-75140	销轴 pin	1
8	01010-51025	螺栓 M10×25 bolt	1
9	01643-31032	垫圈 washer	1
10	195-61-45420	球接头 end rod	1
11	01582-11210	螺母 M12 nut	1
12	04248-31211	杆 rod	1
13	01508-21207	螺母 M12 nut	1
14	04250-91265	关节轴承 end rod	1
15	01593-11210	螺母 M12 screw	1
16	04050-13020	开口销 pin cotter	1
17	04252-31269	关节轴承 end rod	1
18	04250-81265	关节轴承 end rod	1
19	01593-11210	螺母 M12 screw	2
20	04050-13020	开口销 pin cotter	2
21	154-61-75170	杆 rod	1
22	01508-21207	螺母 M12 screw	1
23	176-76-27550	接头 joint	1
24	01582-11210	螺母 M12 nut	1
25	04010-00519	键 key	1
26	154-61-75120	摇臂 rockerarm	1
27	01010-50830	螺栓 M8×30 bolt	1
28	01643-30823	垫圈 washer	1
29	04250-81265	关节轴承 end rod	1
30	04250-91265	关节轴承 end rod	1
31	01593-11210	螺母 M12 nut	2
32	04050-13020	开口销 pin cotter	2
33	01582-11210	螺母 M12 nut	1

第 627 图
FIG. 627

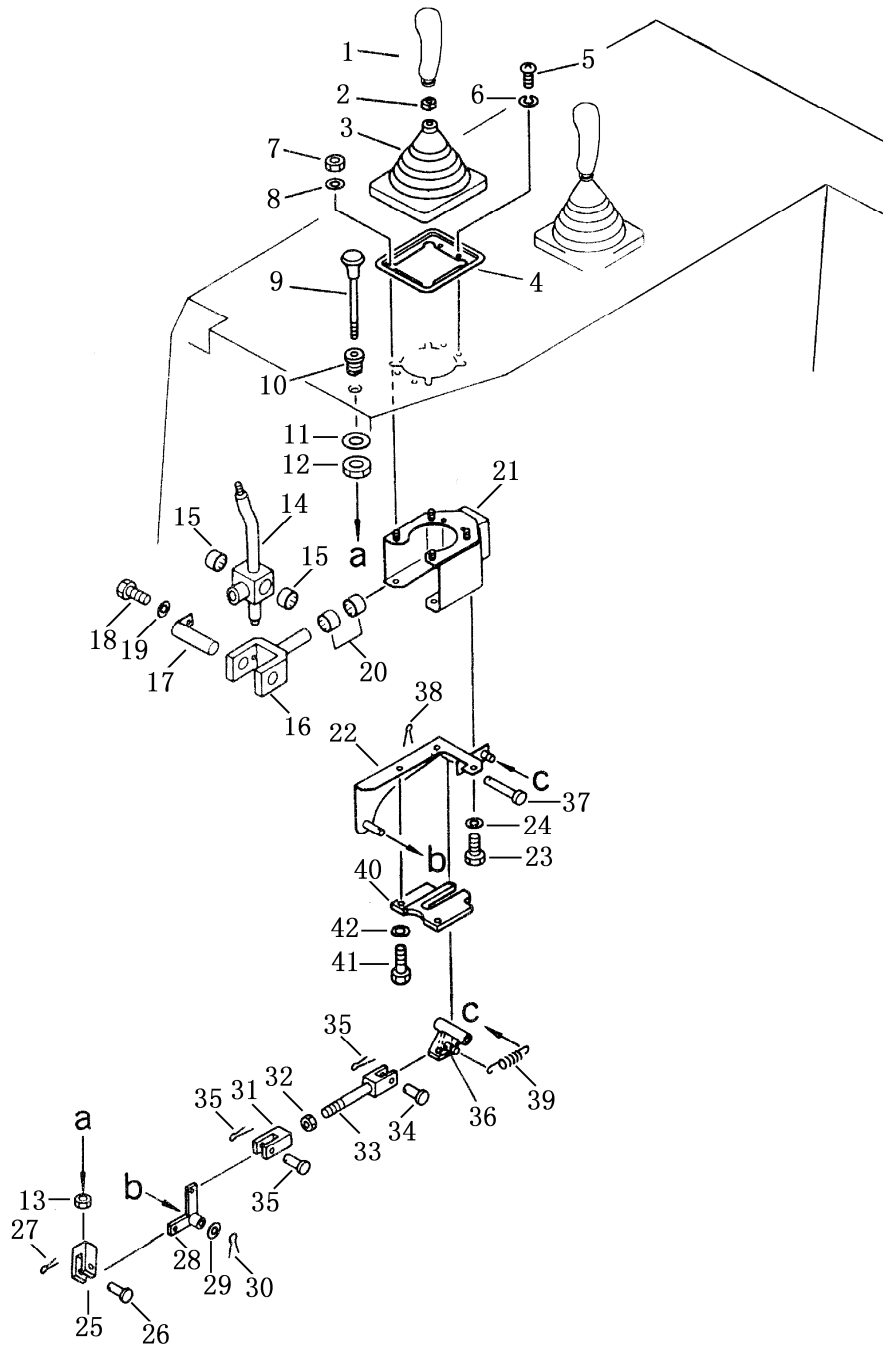
铲刀操纵联杆
BLADE CONTROL LINKAGE



铲刀操纵联杆
BLADE CONTROL LINKAGE

序号 Index No.	件号 Part No.	名称 Description	数量 Q'ty
627-34	175-61-13760	杆 rod	1
35	01508-21207	螺母 nut	1
36	04250-81265	关节轴承 bearings	2
37	01593-11210	螺母 nut	2
38	04050-13020	开口销 pin cotter	2
39	04248-31213	杆 rod	1
40	01508-21207	螺母 nut	1
41	176-76-27550	接头 joint	1
42	01582-11210	螺母 nut	2
43	154-61-75170	杆 rod	1
44	154-61-75220	摇臂 rockerarm	1
45	195-61-45440	轴承 bearings	2
46	04010-00519	键 key	1
47	154-61-75210	摇臂 rockerarm	1
48	01010-50830	螺栓 bolt	1
49	01643-30823	垫圈 washer	1
50	04213-20625	接头 joint	1
51	04250-10618	销轴 pin	2
52	04050-11612	开口销 pin cotter	2
53	154-61-75180	支架 steadier	1
54	01010-51225	螺栓 bolt	2
55	01643-31232	垫圈 washer	2

第 628 图 角铲操纵杆
 FIG. 628 ANGLE BLADE CONTROL LEVER

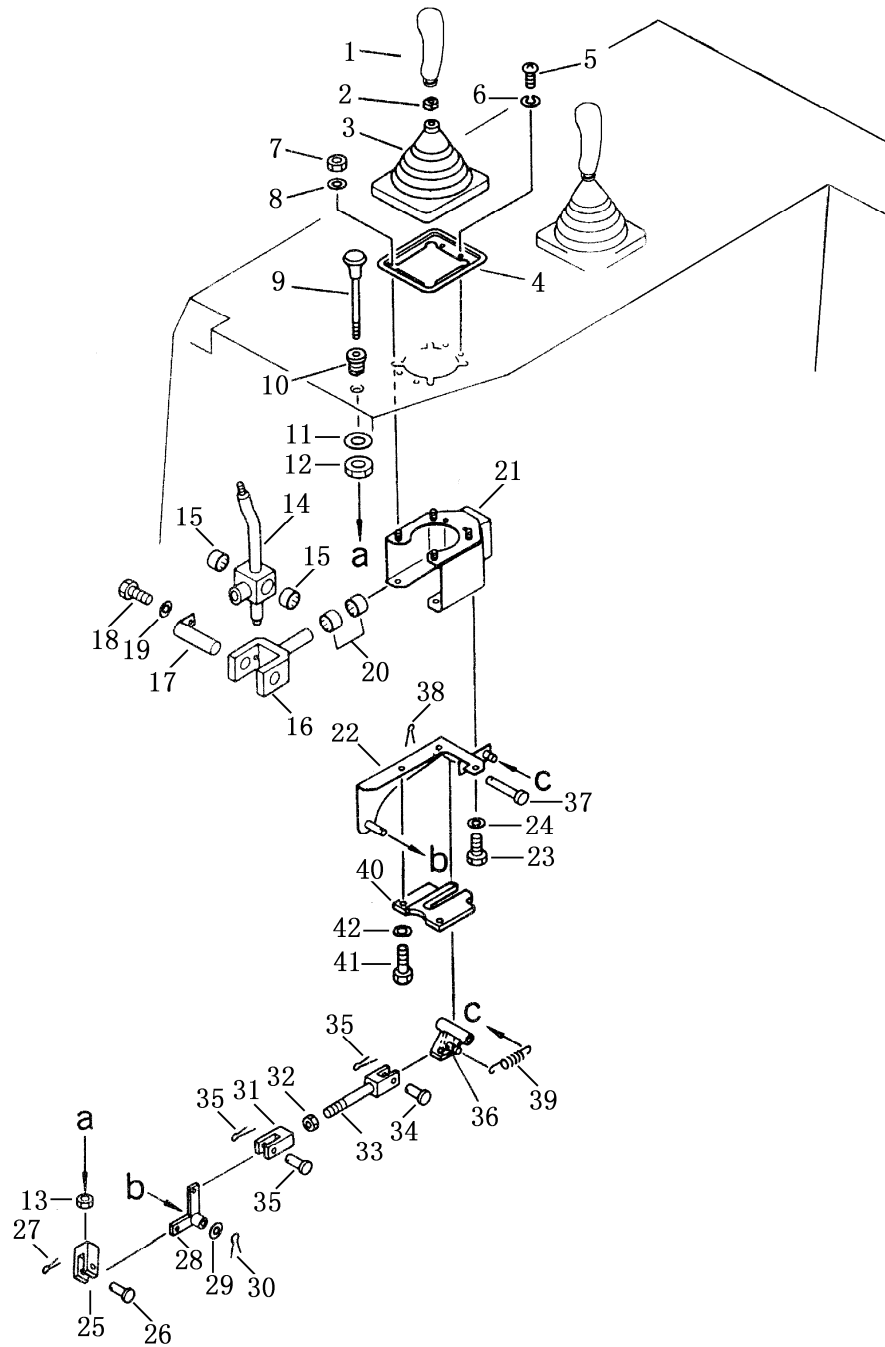


角铲操纵杆

ANGLE BLADE CONTROL LEVER

序号 Index No.	件号 Part No.	名称 Description	数量 Q'ty
628-1	16Y-86C-11000	手柄 knob	1
2	195-43-44220	螺母 nut	1
3	195-61-45140	护罩 almuce	1
4	195-61-45130	座 pedestal	1
5	01220-40508	螺钉 screw	4
6	01601-20513	垫圈 washer	4
7	01580-10806	螺母 nut	4
8	01643-30823	垫圈 washer	4
9	195-61-45211	按钮 knob	1
10	175-61-31750	凸块 boss	1
11	01640-22232	垫圈 washer	1
12	195-61-45230	螺母 nut	1
13	01580-10806	螺母 nut	1
14	195-61-45160	摇臂 rockerarm	1
15	195-61-34130	轴承 bearings needle	2
16	195-61-45180	轭 yoke	1
17	195-61-45170	销 pin	1
18	01010-50816	螺栓 bolt	1
19	01643-30823	垫圈 washer	1
20	195-61-45440	轴承 bearing needle	2
21	195-61-45110	支架 steadier	1
22	195-61-45240	支架 steadier	1
23	01010-50816	螺栓 bolt	2
24	01643-30823	垫圈 washer	2
25	04211-20844	接头 joint	1
26	04205-10822	销轴 pin	1
27	04050-12015	开口销 pin cotter	1
28	195-61-45260	摇臂 rockerarm	1
29	01641-20812	垫圈 washer	1
30	04050-12015	开口销 pin cotter	1
31	04210-20832	叉口板 yoke	1
32	01580-10806	螺母 nut	1
33	04244-40810	杆 rod	1

第 628 图 角铲操纵杆
 FIG. 628 ANGLE BLADE CONTROL LEVER

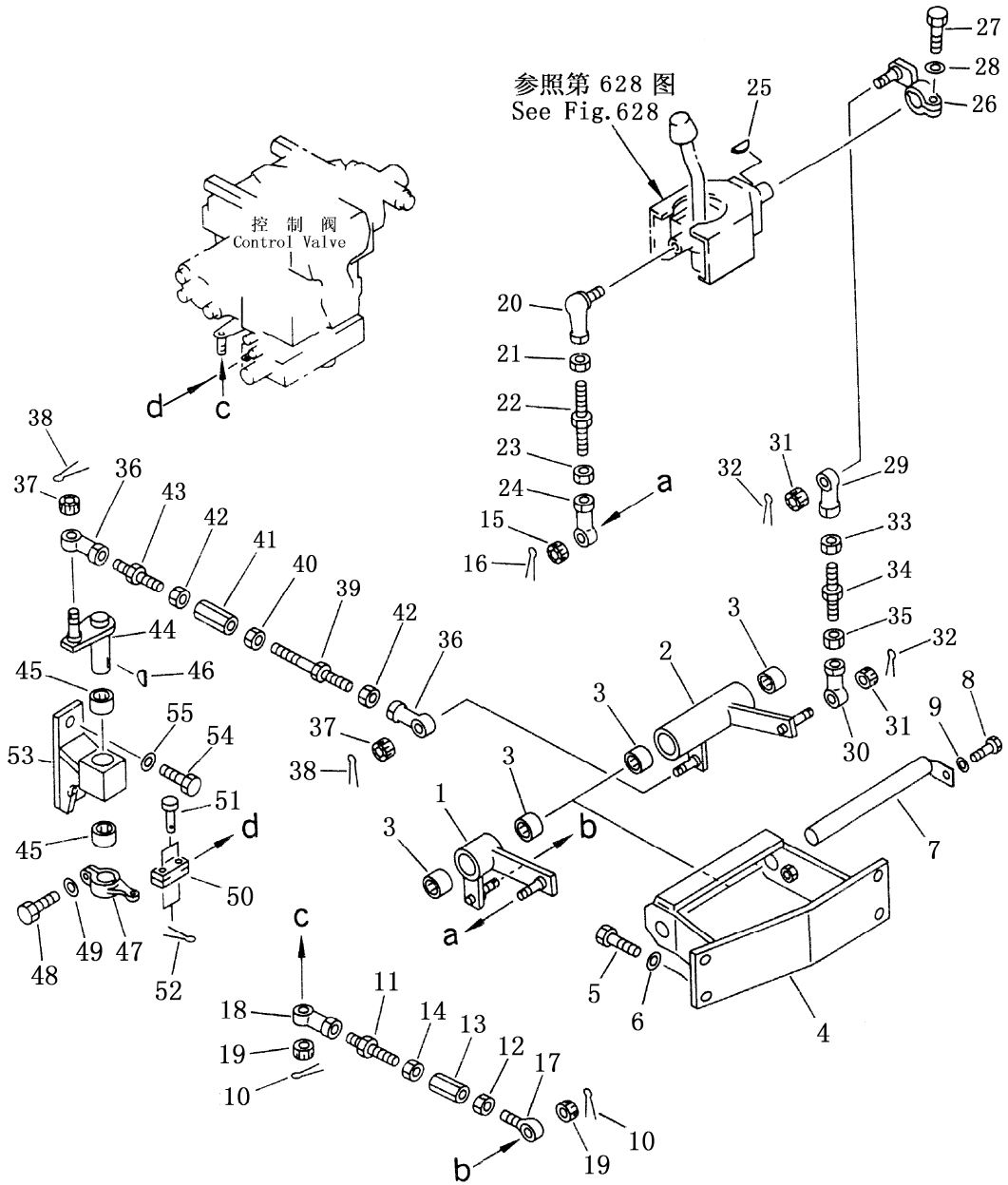


角铲操纵杆

ANGLE BLADE CONTROL LEVER

序号 Index No.	件号 Part No.	名称 Description	数量 Q'ty
628-34	04205-10822	销轴 pin	2
35	04050-12015	开口销 pin cotter	2
36	195-61-45270	摇臂 rockerarm	1
37	195-61-45280	销轴 pin	1
38	04050-12015	开口销 pin cotter	1
39	195-61-45290	弹簧 spring	1
40	154-61-75230	支架 steadier	1
41	01010-50825	螺栓 bolt	2
42	01643-30823	垫圈 washer	2

第 629 图 角铲操纵联杆
 FIG.629 ANGLE BLADE CONTROL LINKAGE

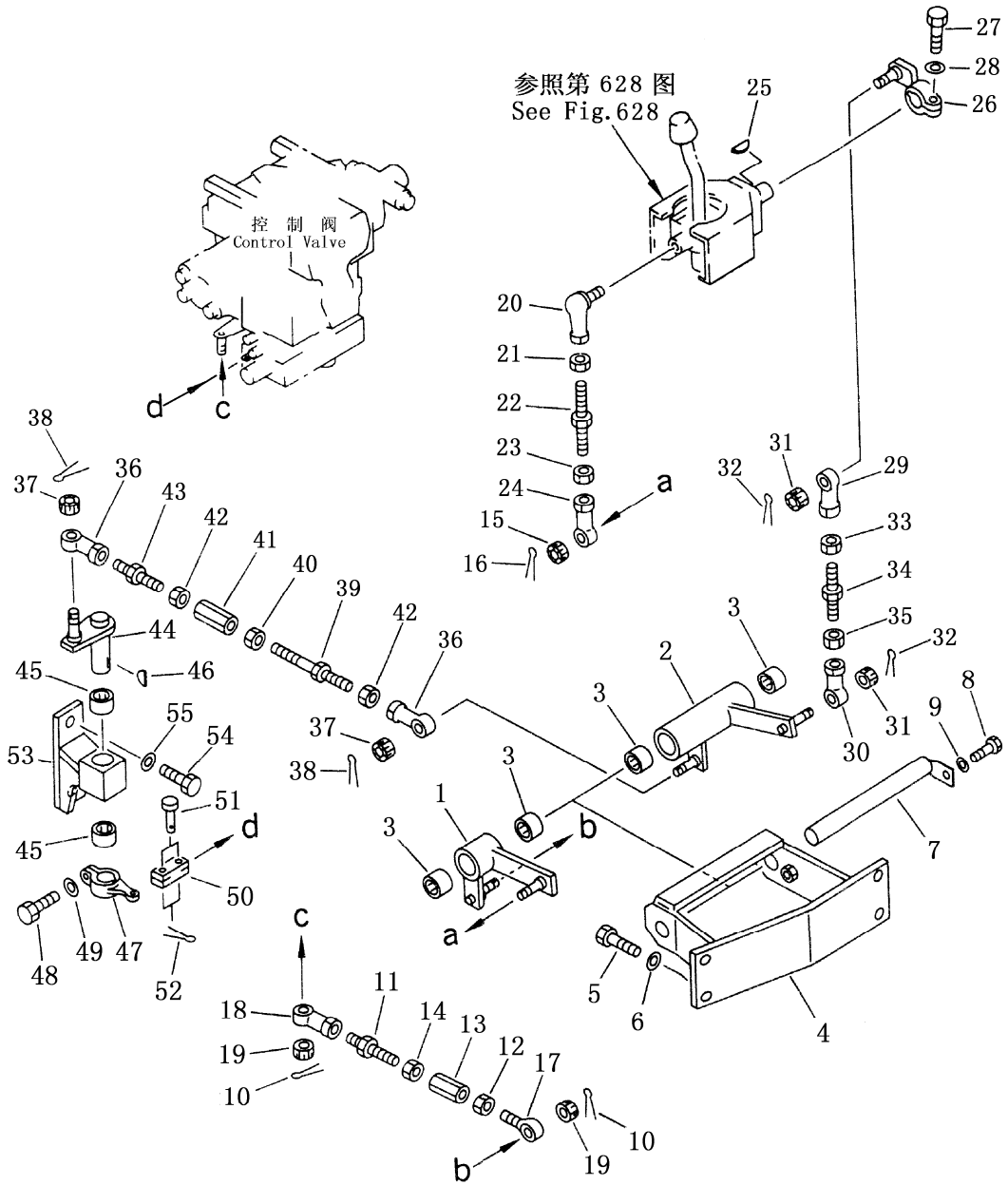


角铲操纵联杆

ANGLE BLADE CONTROL LINKAGE

序号 Index No.	件号 Part No.	名称 Description	数量 Q'ty
629-1	154-61-75160	摇臂 rockerarm	1
2	154-61-75150	摇臂 rockerarm	1
3	195-61-34140	轴承 bearing needle	4
4	154-61-75130	支架 steadier	1
5	01010-51230	螺栓 bolt	4
6	01643-31232	垫圈 washer	4
7	154-61-75140	锁轴 pin	1
8	01010-51025	螺栓 bolt	1
9	01643-31032	垫圈 washer	1
10	04050-13020	开口销 pin cotter	2
11	154-61-75170	杆 rod	1
12	01508-21207	螺母 nut	1
13	176-76-27550	接头 joint	1
14	01582-11210	螺母 nut	1
15	01593-11210	螺母 nut	1
16	04050-13020	开口销 pin cotter	1
17	04252-31269	关节轴承 bearings	1
18	04250-81265	关节轴承 bearings	1
19	01593-11210	螺母 nut	2
20	195-61-45420	球接头 end rod	1
21	01582-11210	螺母 nut	1
22	04248-31212	杆 rod	1
23	01508-21207	螺母 nut	1
24	04250-91265	关节轴承 end rod	1
25	04010-00519	键 key	1
26	154-61-75120	摇臂 rockerarm	1
27	01010-50830	螺栓 bolt	1
28	01643-30823	垫圈 washer	1
29	04250-81265	关节轴承 bearings	1
30	04250-91265	关节轴承 bearings	1
31	01593-11210	螺母 nut	2
32	04050-13020	开口销 pin cotter	2
33	01582-11210	螺母 nut	1

第 629 图 角铲操纵联杆
 FIG.629 ANGLE BLADE CONTROL LINKAGE



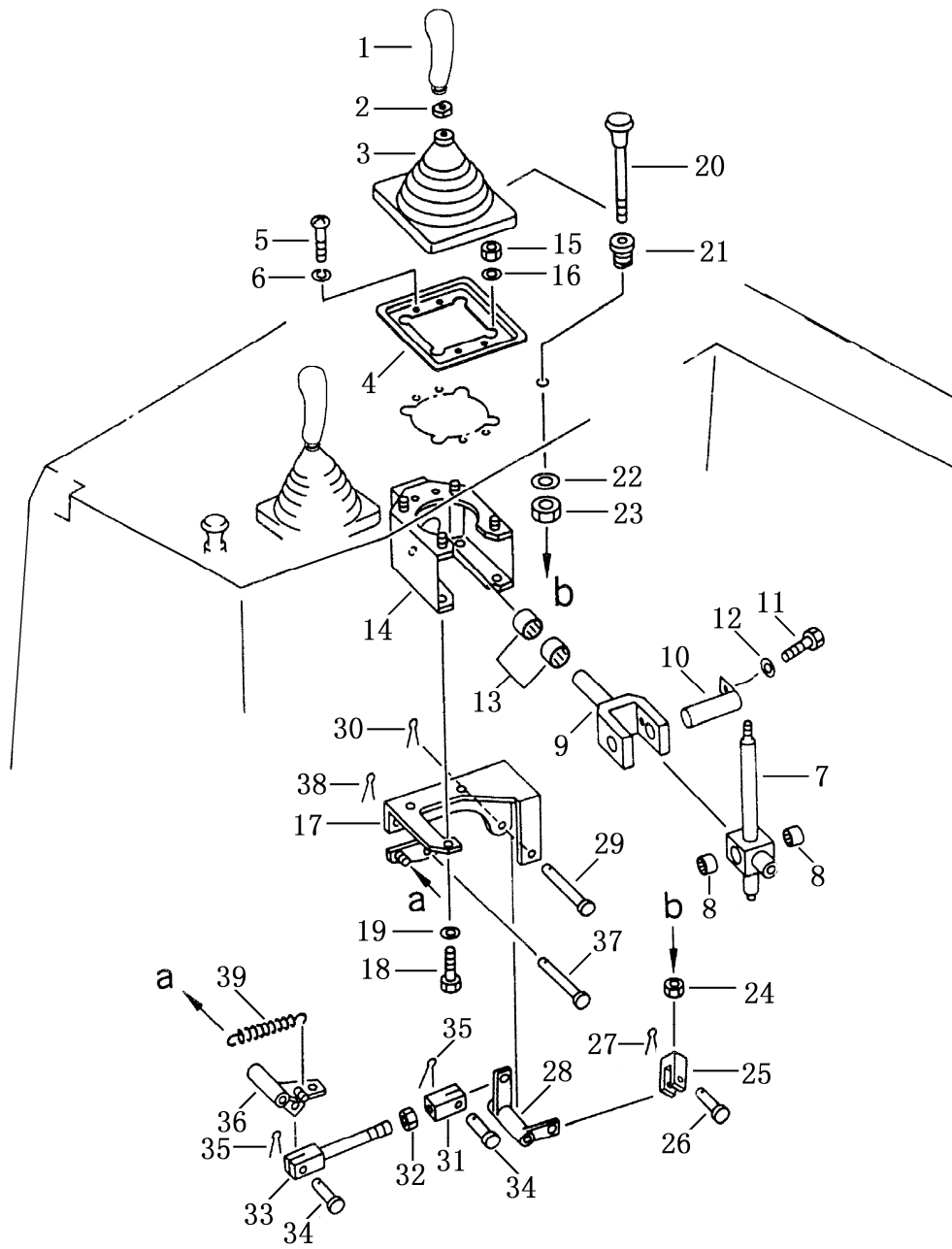
角铲操纵联杆
ANGLE BLADE CONTROL LINKAGE

序号 Index No.	件号 Part No.	名称 Description	数量 Q'ty
629-34	175-61-13760	杆 rod	1
35	01508-21207	螺母 nut	1
36	04250-81265	关节轴承 bearings	2
37	01593-11210	螺母 nut	2
38	04050-13020	开口销 pin cotter	2
39	04248-31213	杆 rod	1
40	01508-21207	螺母 nut	1
41	176-76-27550	接头 joint	1
42	01582-11210	螺母 nut	2
43	154-61-75170	杆 rod	1
44	154-61-75220	摇臂 rockerarm	1
45	195-61-45440	轴承 bearings	2
46	04010-00519	键 key	1
47	154-61-75210	摇臂 rockerarm	1
48	01010-50830	螺栓 bolt	1
49	01643-30823	垫圈 washer	1
50	04213-20625	接头 joint	1
51	04205-10618	销轴 pin	2
52	04050-11612	开口销 pin cotter	2
53	154-61-75180	支架 steadier	1
54	01010-51225	螺栓 bolt	2
55	01643-31232	垫圈 washer	2

第 630 图

三齿松土器操纵杆

FIG. 630 THREE SHANK RIPPER CONTROL LEVER



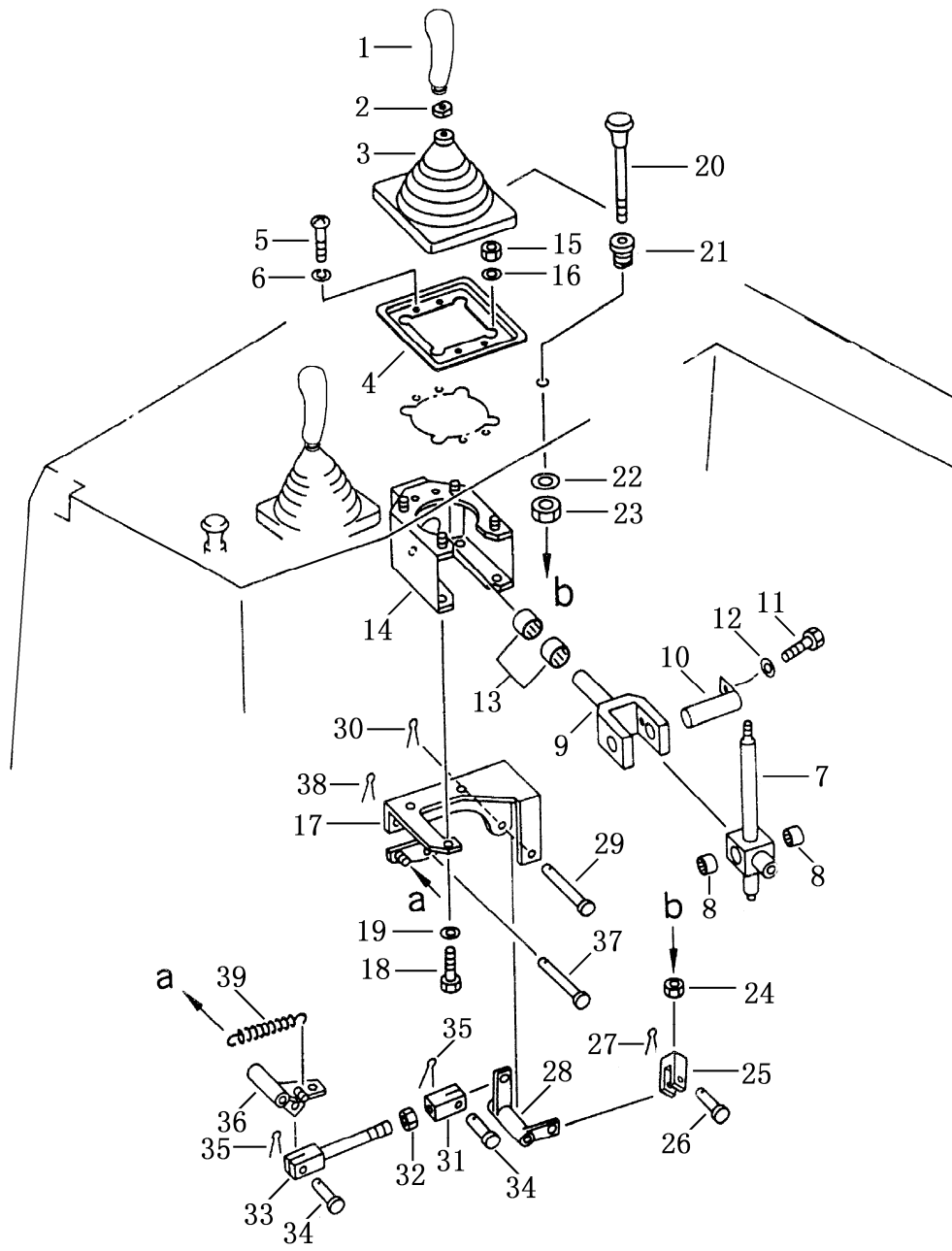
三齿松土器操纵杆
THREE SHANK RIPPER CONTROL LEVER

序号 Index No.	件号 Part No.	名称 Description	数量 Q'ty
630-1	16Y-86C-11000	手柄 knob	1
2	195-43-44220	螺母 nut	1
3	195-61-45140	护罩 almuce	1
4	195-61-45130	座 bpedestal	1
5	01220-40508	螺钉 screw	4
6	01601-20513	垫圈 washer spring	4
7	195-78-75120	操纵杆 lever	1
8	195-61-34130	轴承 bearing needle	2
9	195-61-45180	轭 yoke	1
10	195-61-45170	销 pin	1
11	01010-50816	螺栓 bolt	1
12	01643-30823	垫圈 washer spring	1
13	195-61-45440	轴承 bearing needle	2
14	154-61-75110	托架 bracket	1
15	01580-10806	螺母 nut	4
16	01643-30823	垫圈 washer	4
17	154-78-45120	托架 bracket	1
18	01010-50816	螺栓 bolt	3
19	01643-30823	垫圈 washer	3
20	195-61-45211	按钮 knob	1
21	175-61-31750	凸块 boss	1
22	01640-22232	垫圈 washer	1
23	195-61-45230	螺母 nut	1
24	01580-10806	螺母 M8 nut	1
25	04211-20844	接头 yoke	1
26	04205-10822	销轴 pin	1
27	04050-12015	开口销 pin cotter	1
28	154-78-45140	摇臂 rockerarm	1
29	195-61-45280	销轴 pin	1
30	04050-12015	开口销 pin cotter	1
31	04210-20832	叉口板 yoke	1
32	01580-10806	螺母 nut	1
33	04244-40810	杆 rod	1
34	04205-10822	销轴 pin	2

第 630 图

三齿松土器操纵杆

FIG. 630 THREE SHANK RIPPER CONTROL LEVER



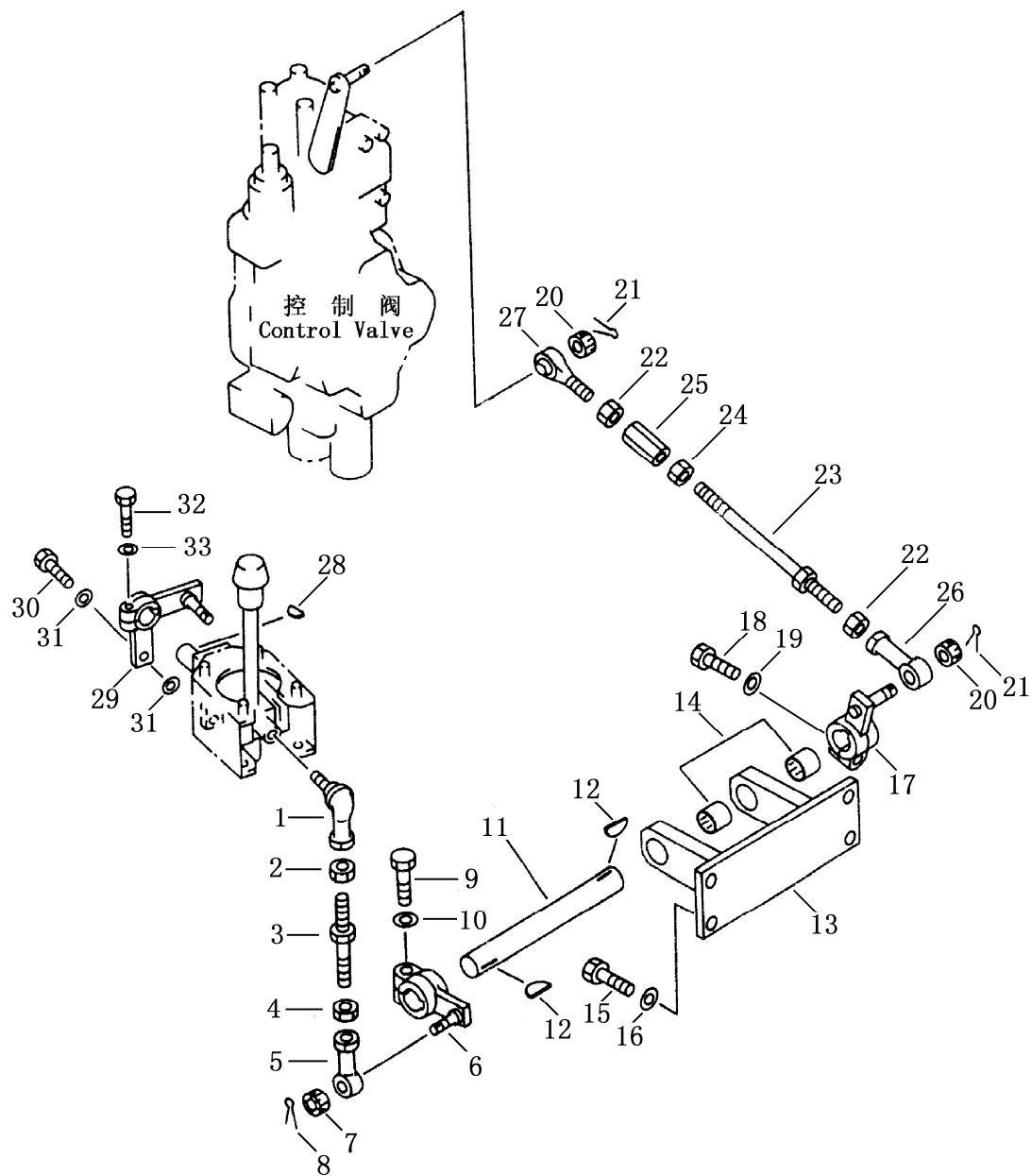
三齿松土器操纵杆

THREE SHANK RIPPER CONTROL LEVER

序号 Index No.	件号 Part No.	名称 Description	数量 Q'ty
630-35	04050-12015	开口销 pin cotter	2
36	154-78-45130	摇臂 rockerarm	1
37	195-61-45280	销轴 pin	1
38	04050-12015	开口销 pin cotter	1
39	195-61-45290	弹簧 spring	1

第 631 图
FIG. 631

三齿松土器操纵联杆
THREE SHANK RIPPER CONTROL LINKAGE



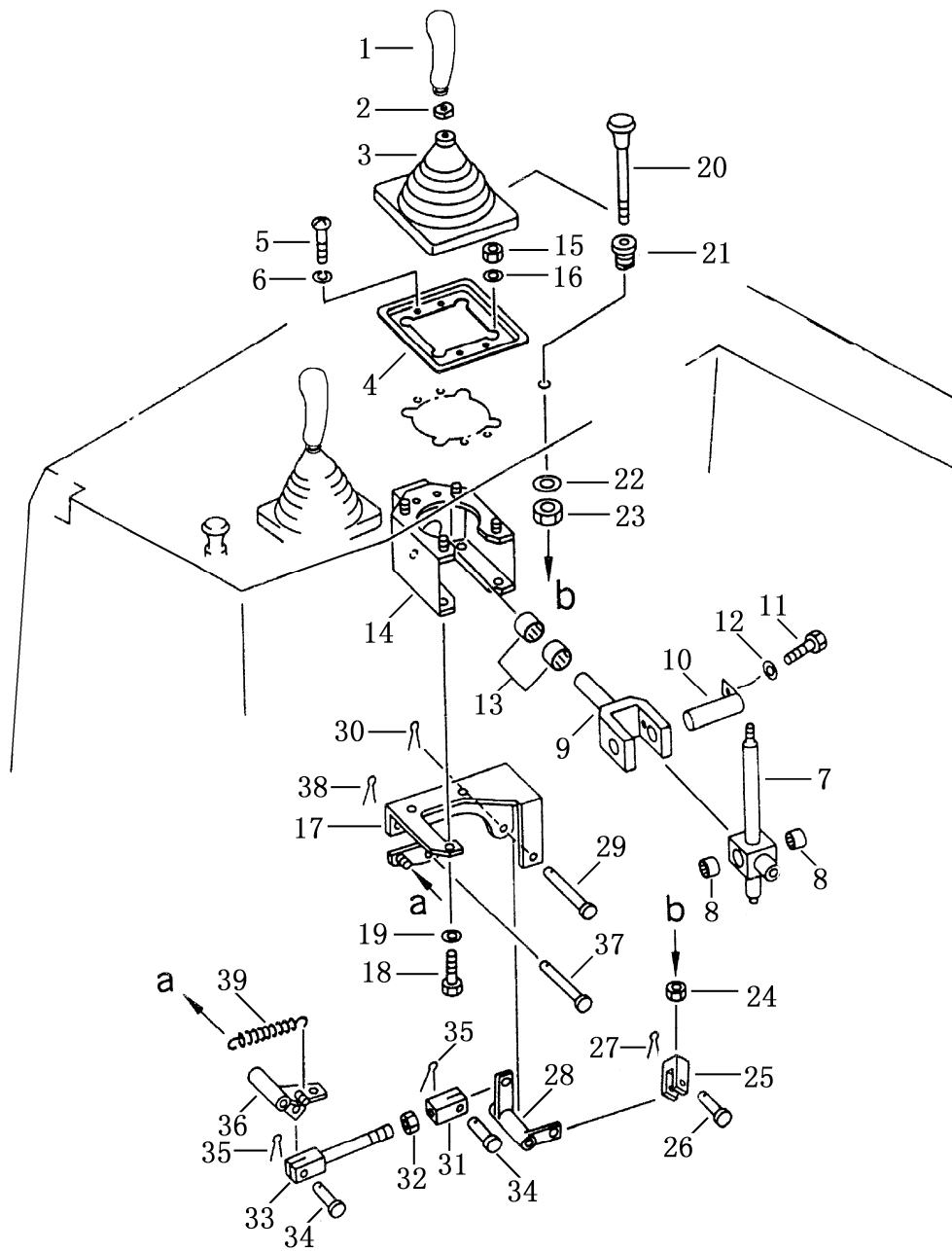
三齿松土器操纵联杆
THREE SHANK RIPPER CONTROL LINKAGE

序号 Index No.	件号 Part No.	名称 Description	数量 Q'ty
631-1	195-61-45420	球接头 end rod	1
2	01582-11210	螺母 nut	1
3	04248-31212	杆 rod	1
4	01508-21207	螺母 nut	1
5	04250-91265	关节轴承 bearings	1
6	154-78-45170	销 pin	1
7	01593-11210	螺母 nut	1
8	04050-13020	开口销 pin cotter	1
9	01010-51245	螺栓 bolt	1
10	01643-31232	垫圈 washer	1
11	154-78-45160	轴 shaft	1
12	04010-00732	键 key	2
13	154-78-45150	托架 bracket	1
14	195-61-34140	轴承 bearings	2
15	01010-51230	螺栓 bolt	4
16	01643-31232	垫圈 washer	4
17	154-78-45170	摇臂 rockerarm	1
18	01010-51245	螺栓 bolt	1
19	01643-31232	垫圈 washer	1
20	01593-11210	螺母 nut	2
21	04050-13020	开口销 pin cotter	2
22	01582-11210	螺母 nut	2
23	04248-31222	杆 rod	1
24	01508-21207	螺母 nut	1
25	176-76-27550	接头 joint	1
26	04250-81265	关节轴承 bearings	1
27	04252-21269	关节轴承 bearings	1
28	04010-00519	键 key	1
29	154-78-45110	摇臂 rockerarm	1
30	01010-51025	螺栓 bolt	1
31	01643-31032	垫圈 washer	2
32	01010-50830	螺栓 bolt	1
33	01643-30823	垫圈 washer	1

第 632 图

单齿松土器操纵杆 (1/3)

FIG. 632 SINGLE SHANK RIPPER CONTROL LEVER



单齿松土器操纵杆(1/3)

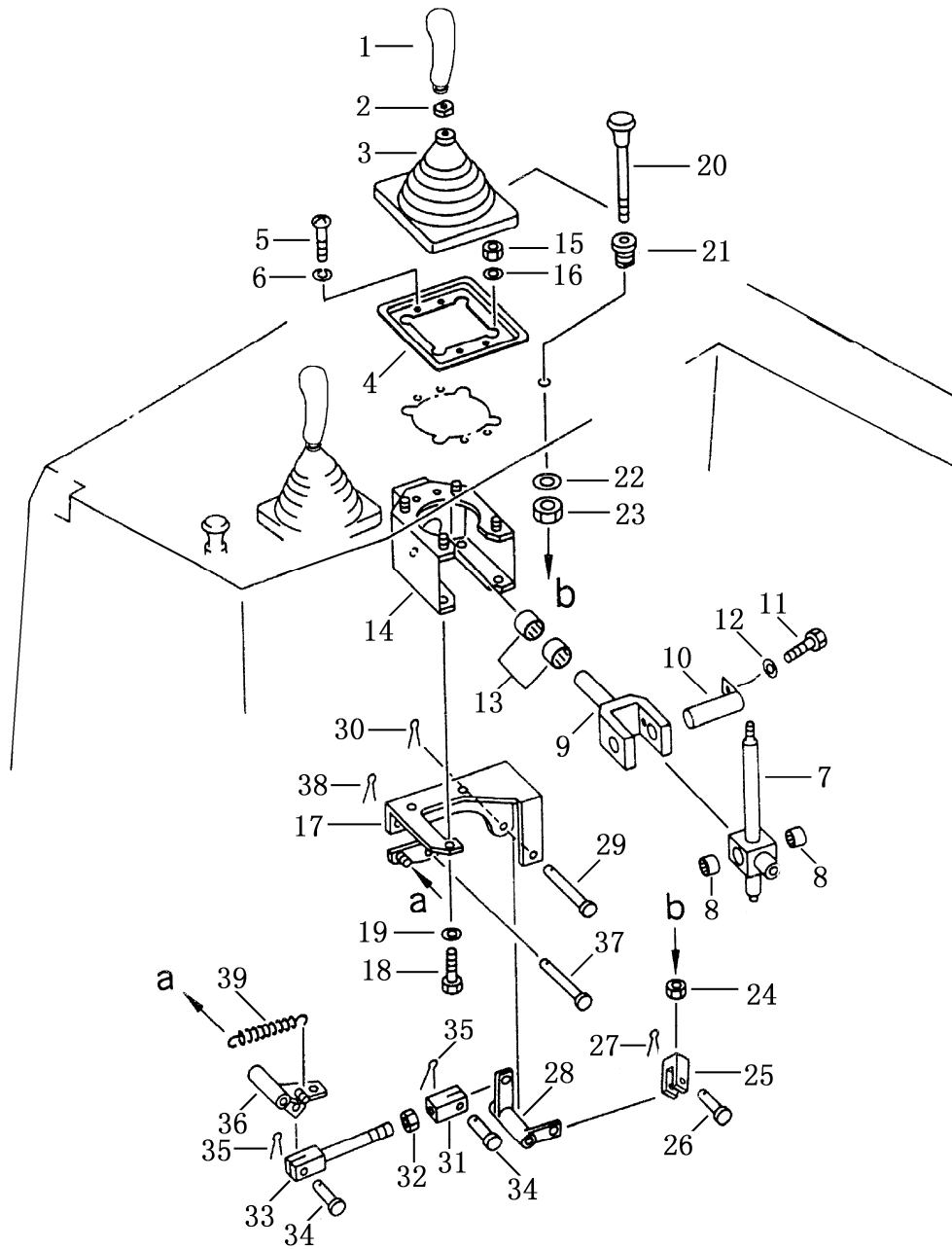
SINGLE SHANK RIPPER CONTROL LEVER

序号 Index No.	件号 Part No.	名称 Description	数量 Q'ty
632-1	16Y-86C-11000	手柄 knob	1
2	195-43-44220	螺母 nut	1
3	195-61-45140	护罩 almuce	1
4	195-61-45130	座 pedestal	1
5	01220-40508	螺钉 screw	4
6	01601-20513	垫圈 washer spring	4
7	195-78-75120	操纵杆 lever	1
8	195-61-34130	轴承 bearing needle	2
9	195-61-45180	轭 yoke	1
10	195-61-45170	销 pin	1
11	01010-50816	螺栓 bolt	1
12	01643-30823	垫圈 washer	1
13	195-61-45440	轴承 bearingse	2
14	154-61-75110	托架 bracket	1
15	01580-10806	螺母 nut	4
16	01643-30823	垫圈 washer	4
17	154-78-45120	托架 bracket	1
18	01010-50816	螺栓 bolt	3
19	01643-30823	垫圈 washer	3
20	195-61-45211	按钮 knob	1
21	175-61-31750	凸块 boss	1
22	01640-22232	垫圈 washer	1
23	195-61-45230	螺母 nut	1
24	01580-10806	螺母 nut	1
25	04211-20844	接头 yoke	1
26	04205-10822	销轴 pin	1
27	04050-12015	开口销 pin cotter	1
28	154-78-45140	摇臂 rockerarm	1
29	195-61-45280	销轴 pin	1
30	04050-12015	开口销 pin cotter	1
31	04210-20832	叉口板 yoke	1
32	01580-10806	螺母 nut	1
33	04244-40810	杆 rod	1
34	04205-10822	销轴 pin	2

第 632 图

单齿松土器操纵杆 (1/3)

FIG. 632 SINGLE SHANK RIPPER CONTROL LEVER



单齿松土器操纵杆(1/3)

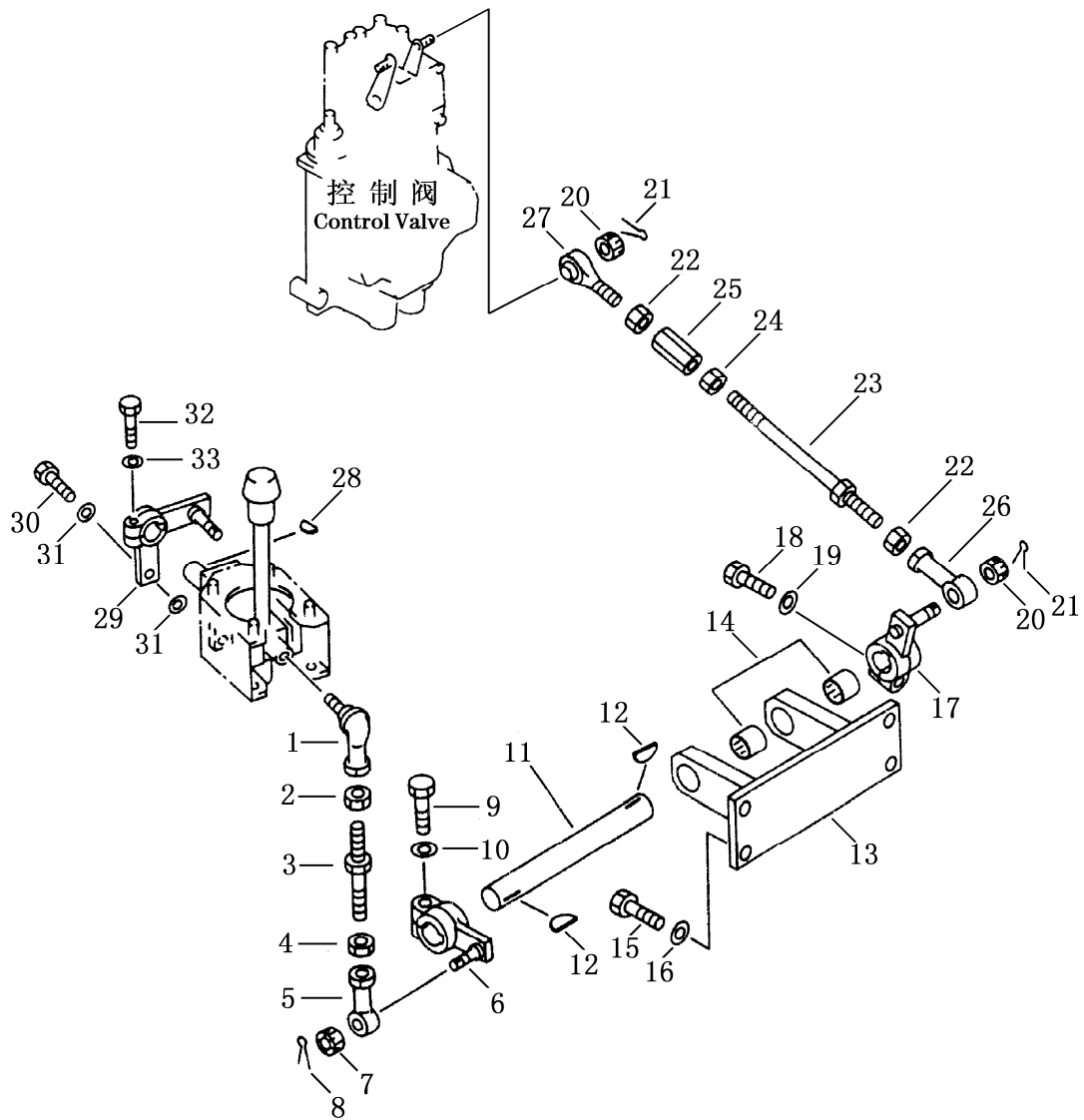
SINGLE SHANK RIPPER CONTROL LEVER

序号 Index No.	件号 Part No.	名称 Description	数量 Q'ty
632-35	04050-12015	开口销 pin cotter	2
36	154-78-45130	摇臂 rockerarm	1
37	195-61-45280	销轴 pin	1
38	04050-12015	开口销 pin cotter	1
39	195-61-45290	弹簧 spring	1

第 633 图

单齿松土器操纵杆 (2/3)

FIG. 633 SINGLE SHANK RIPPER CONTROL LEVER



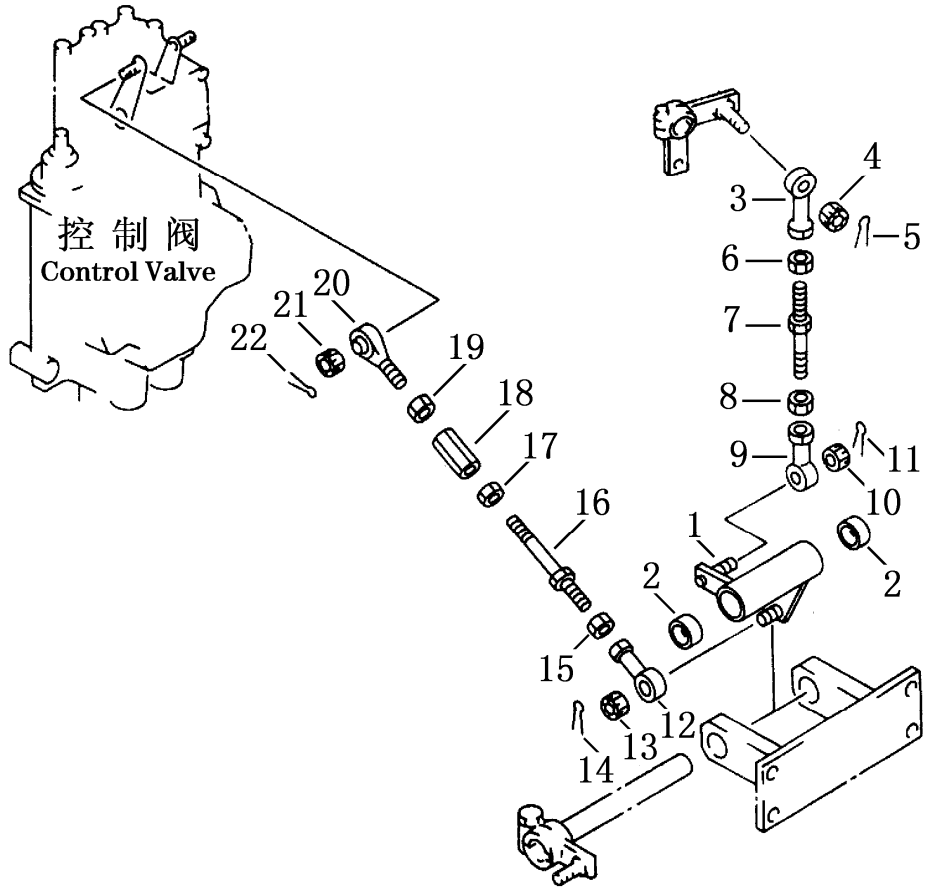
单齿松土器操纵杆(2/3)
SINGLE SHANK RIPPER CONTROL LEVER

序号 Index No.	件号 Part No.	名称 Description	数量 Q'ty
633-1	195-61-45420	球接头 joint, ball	1
2	01582-11210	螺母 nut	1
3	04248-31212	杆 rod	1
4	01508-21207	螺母 nut	1
5	04250-91265	关节轴承 ebearings	1
6	154-78-45170	销 pin	1
7	01593-11210	螺母 nut	1
8	04050-13020	开口销 pin cotter	1
9	01010-51245	螺栓 bolt	1
10	01643-31232	垫圈 washer	1
11	154-78-45160	轴 shaft	1
12	04010-00732	键 key	2
13	154-78-45150	托架 bracket	1
14	195-61-34140	轴承 bearings	2
15	01010-51230	螺栓 bolt	4
16	01643-31232	垫圈 washer	4
17	154-78-45170	摇臂 rockerarm	1
18	01010-51245	螺栓 bolt	1
19	01643-31232	垫圈 washer	1
20	01593-11210	螺母 nut	2
21	04050-13020	开口销 pin cotter	2
22	01582-11210	螺母 nut	2
23	04248-31222	杆 rod	1
24	01508-21207	螺母 nut	1
25	176-76-27550	接头 joint	1
26	04250-81265	关节轴承 bearings	1
27	04252-21269	关节轴承 bearings	1
28	04010-00519	键 key	1
29	154-78-45110	摇臂 rockerarm	1
30	01010-51025	螺栓 bolt	1
31	01643-31032	垫圈 washer	2
32	01010-50830	螺栓 bolt	1
33	01643-30823	垫圈 washer	1

第 634 图

单齿松土器操纵杆 (3/3)

FIG. 634 SINGLE SHANK RIPPER CONTROL LEVER



单齿松土器操纵杆
SINGLE SHANK RIPPER CONTROL LEVR

序号 Index No.	件号 Part No.	名称 Description	数量 Q'ty
634-1	154-78-45191	杆 lever	1
2	195-61-34140	轴承 bearing	2.
3	04250-81265	杆端 end, rod	1
4	01593-11210	螺母 nut	1
5	04050-13020	开口销 pin, cotter	1
6	01582-11210	螺母 nut	1
7	04248-31216	杆 rod	1
8	01508-11207	螺母 nut	1
9	04250-91265	杆端 end, rod	1
10	01593-11210	螺母 nut	1
11	04050-13020	开口销 pin, cotter	1
12	04250-81265	杆端 end, rod	1
13	01593-11210	螺母 nut	1
14	04050-13020	开口销 pin, cotter	1
15	01582-11210	螺母 nut	1
16	04248-31222	杆 rod	1
17	01508-21207	螺母 nut	1
18	176-76-27550	接头 joint	1
19	01582-11210	螺母 nut	1
20	04252-21269	杆端 end, rod	1
21	01593-11210	螺母 nut	1
22	04050-13020	开口销 pin, cotter	1

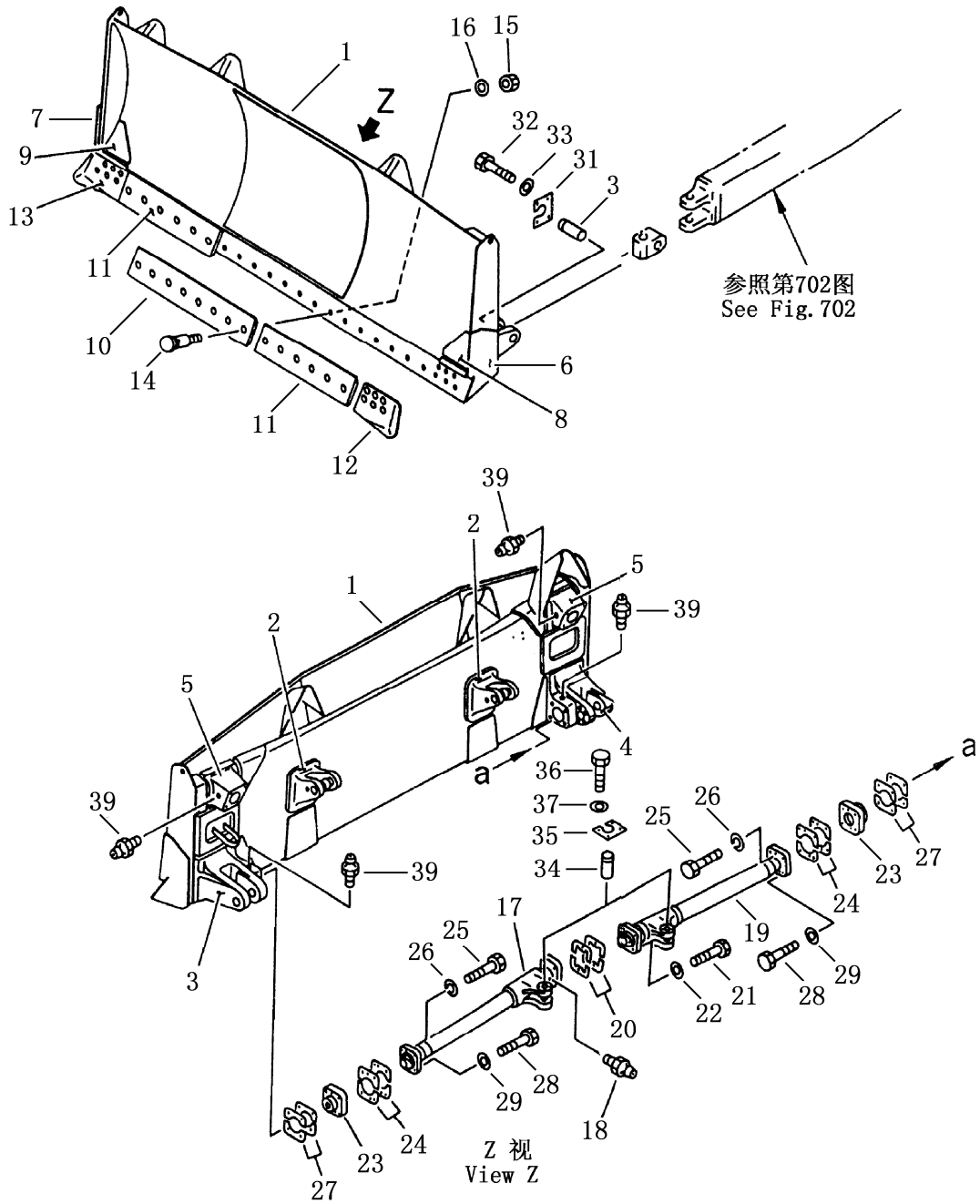
工 作 装 置
WORK EQUIPMENT

第 701 图

直倾铲

FIG. 701

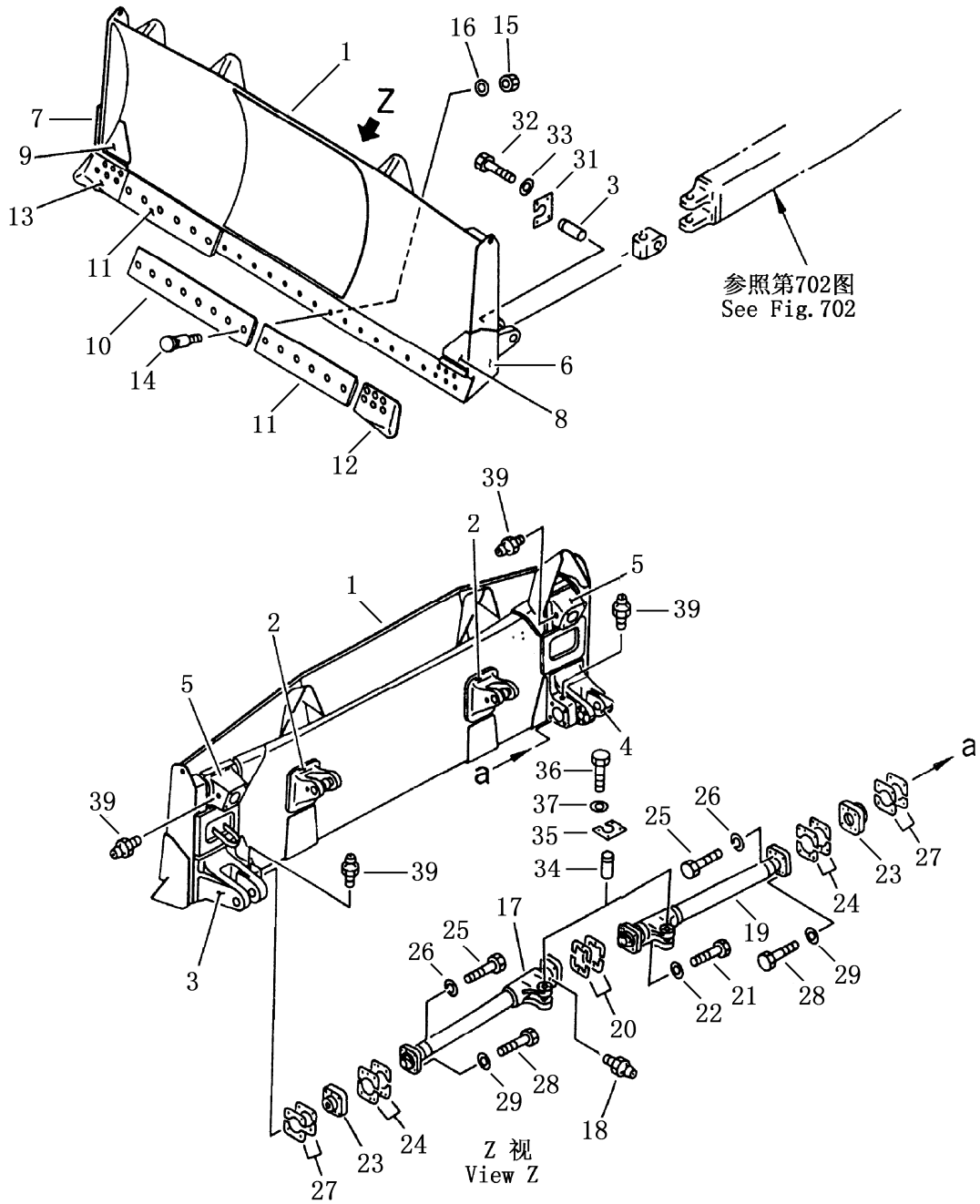
STRAIGHT TILT BLADE



直 倾 铲
STRAIGHT TILT BLADE

序号 Index No.	件号 Part No.	名称 Description	数量 Q'ty			
			SD23 SD23E	SD23S	SD23R	SD23D
701-1	154-71-41211	刀头 blade ass'y	1			
	154-929-5110	刀头 blade ass'y		1		
	17H-80-10000	刀头 blade ass'y			1	
	17M-80-01000	刀头 blade ass'y				1
2	154-71-41260	支架 steadier	2			2
	154-929-51120	支架 steadier		2	2	
3	154-71-31121	支架(左) steadier L.H.	1			1
	154-929-1120	支架 steadier		1	1	
4	154-71-31131	支架(右) steadier R.H.	1			1
	154-929-1120	支架 steadier		1	1	
5	154-71-31142	支枢 pivot	2	2	2	2
6	154-71-41240	板(左) plate L.H.	1			1
	154-929-5150	板(左) plate L.H.		1		
	17H-80-10001	板(左) plate L.H.			1	
7	154-71-41250	板(右) plate R.H.	1			1
	154-929-5160	板(右) plate R.H.		1		
	17H-80-10002	板(右) plate R.H.			1	
8	154-71-41220	板(左) plate L.H.	1			1
	154-929-5130	板(左) plate L.H.		1	1	
9	154-71-41230	板(右) plate R.H.	1			1
	154-929-5140	板(右) plate R.H.		1	1	
10	154-70-11314	刀片 edge cutting	1	3	3	3
11	154-81-11191	刀片 edge cutting	2			
12	150-70-21356	左刀角 bit end L.H.	1	1	1	1
13	150-70-21346	右刀角 bit end R.H.	1	1	1	1
14	154-71-41270	螺栓 bolt	32	36	36	32
15	154-70-22270	螺母 nut	32	36	36	32
16	01643-21845	垫圈 washer	32	36	36	32
17	154-71-31191	臂(左) arm L.H.	1			1
18	07020-01021	油杯 fitting grease	1			1

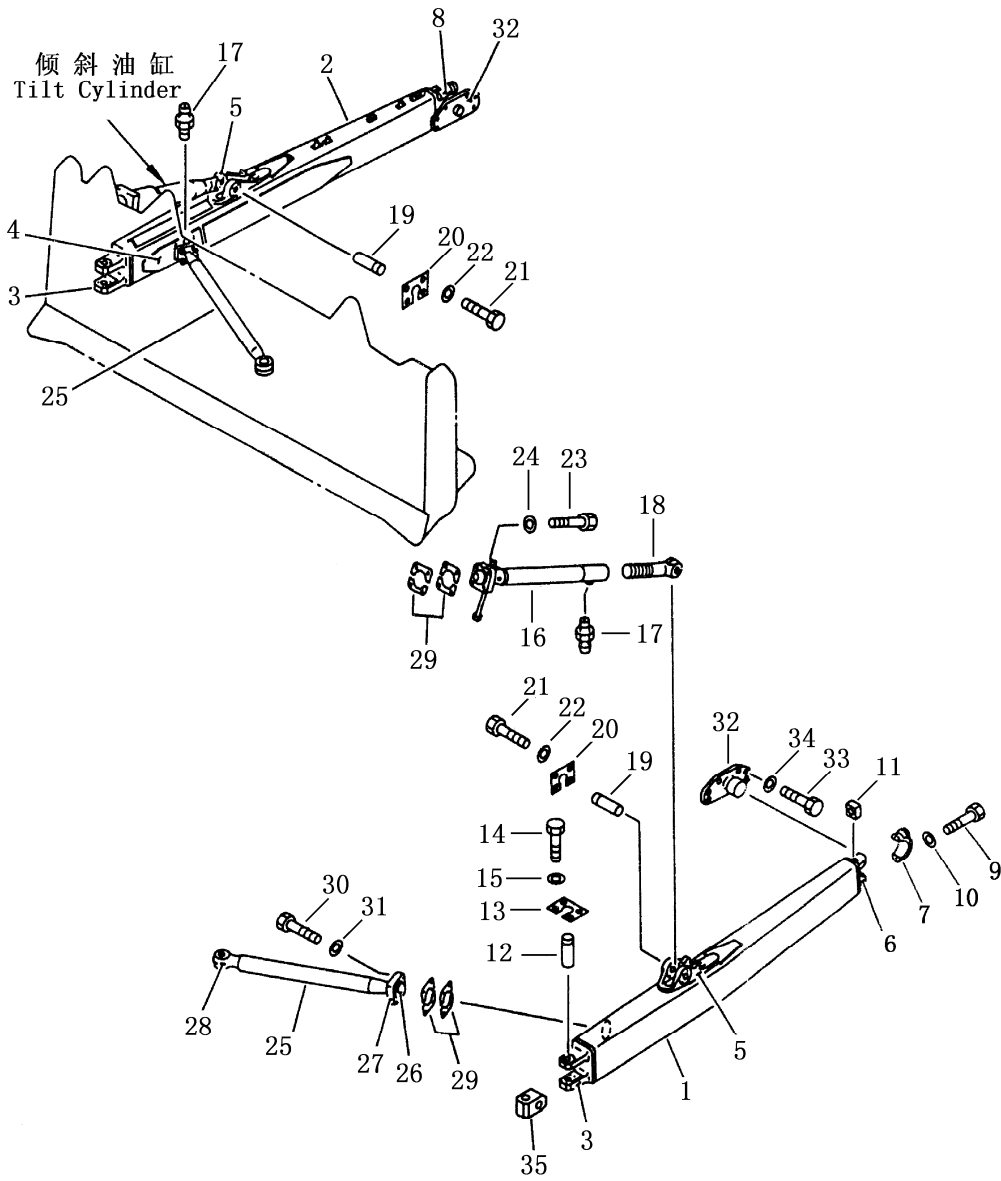
第 701 图 直倾铲
 FIG. 701 STRAIGHT TILT BLADE



直 倾 铲
STRAIGHT PILT BLADE

序号 Index No.	件 号 Part No.	名 称 Description	数量 Q'ty		
			SD23 SD23E SD23D	SD23S	SD23R
701-19	154-71-31211	臂 (右) arm R. H.	1		
20	175-71-00302	垫圈总成 shim ass'y	1		
21	01010-52490	螺栓 M24×90 bolt	4		
22	01643-32460	垫圈 washer	4		
23	154-71-31270	垫片 shim	8		
24	154-71-00140	垫片总成 shim ass'y	2		
25	01010-51270	螺栓 M12×70 bolt	4		
26	01602-21236	垫圈 washer	4		
27	150-71-00017	垫片总成 shim ass'y	2	5	5
28	01011-52420	螺栓 M24×120 bolt	8	8	8
29	01643-32460	垫圈 washer	8	16	16
30	154-71-22470	销轴 pin shaft	2	2	2
31	175-71-21330	锁板 plate lock	2	2	2
32	01010-51435	螺栓 M14×35 bolt	8	8	8
33	01643-31445	垫圈 washer	8	8	8
34	154-71-22480	销轴 pin shaft	2		
35	154-71-22490	锁板 plate lock	2		
36	01010-51435	螺栓 M14×35 bolt	8		
37	01643-31445	垫圈 washer	8		
39	07020-01021	油杯 fitting grease	4		

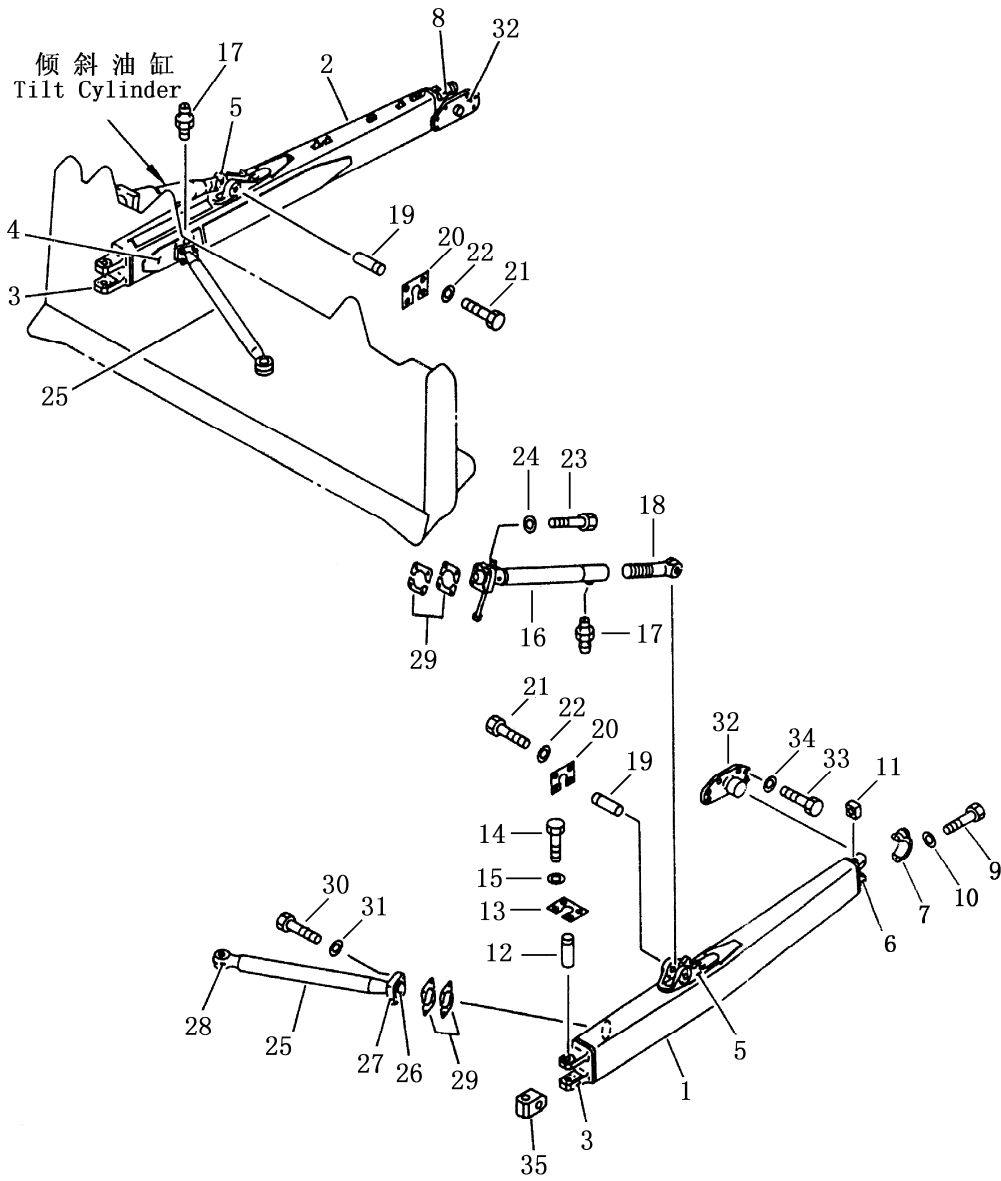
第 702 图 推 杆
 FIG. 702 STRAIGHT TILT FRAME



推 杆
STRAIGHT TILT FRAME

序号 Index No.	件 号 Part No.	名 称 Description	数量 Q'ty		
			SD23	SD23E SD23D	SD23S SD23R
702-1	154-71-31151	左推杆 frame L.H.	1	1	
	154-929-3240	左推杆 frame L.H.			1
2	154-71-31164	右推杆 frame R.H.	1	1	
	154-929-3130	右推杆 frame R.H.			1
3	154-71-22231	托架 bracket	1	1	1
4	154-71-31510	左托架 bracket L.H.	1	1	1
	154-71-31610	右托架 bracket R.H.	1	1	1
5	175-71-31650	左托架 bracket L.H.	1	1	1
	154-71-31580	右托架 bracket R.H.	1	1	1
	150-70-00240	左托架总成 bracket ass'y L.H.	1	1	1
	154-71-00130	右托架总成 bracket ass'y R.H.	1	1	1
6	150-70-23153	支座 pedestal	1	1	1
7	150-70-23244	螺盖 screw cap	1	1	1
8	154-71-31470	座 pedestal R.H.	1	1	1
9	154-71-31420	螺栓 bolt	2	2	2
10	01643-32780	垫圈 washer	2	2	2
11	170-70-13141	螺母 nut	4	2	2
12	154-71-22470	销 pin	2	2	2
13	175-71-21330	锁板 plate lock	2	2	2
14	01010-51435	螺栓 bolt	8	8	8
15	01643-31445	垫圈 washer	8	8	8
16	154-71-22371	连杆 brace	1	1	1
17	07020-01021	油杯 fitting grease	2	1	1
18	154-71-21531	螺杆 screw	1	1	1
19	154-71-21290	销 pin	2	2	2
20	175-71-21330	锁板 plate lock	2	2	2
21	01010-51435	螺栓 bolt	8	8	8
22	01643-31445	垫圈 washer	8	8	8

第 702 图 推 杆
 FIG. 702 STRAIGHT TILT FRAME

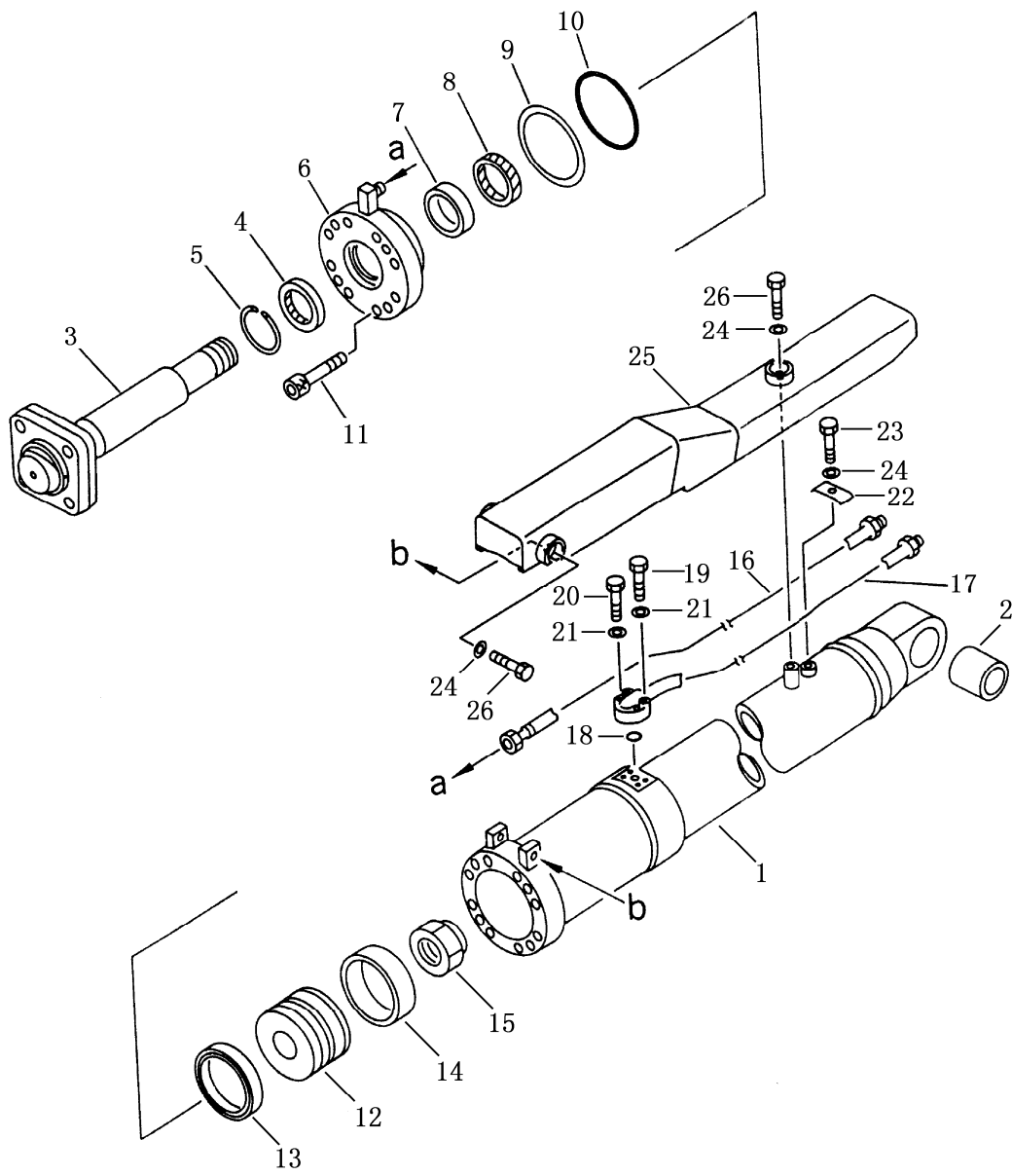


推 杆
STRAIGHT TILT FRAME

序号 Index No.	件 号 Part No.	名 称 Description	数量 Q'ty		
			SD23	SD23E SD23D	SD23S SD23R
702-23	01010-52490	螺栓 bolt	8	8	8
24	01643-32460	垫圈 washer	8	8	8
25	154-71-31221	臂 arm	2	2	2
26	154-71-22332	球头 bell	1	1	1
27	154-71-22340	盖 cap	1	1	1
28	154-71-22362	接头 joint	1	1	1
29	154-71-22390	垫片总成 shim ass'y	2	2	2
30	01010-52490	螺栓 bolt	8	8	8
31	01643-32460	垫圈 washer	8	8	8
32	154-70-13214	耳轴 trunnion	2	2	2
33	01010-52250	螺栓 bolt	12	12	12
34	01643-32260	垫圈 washer	12	12	12
35	154-71-22261	接头 joint	2	2	2

第 703 图
FIG. 703

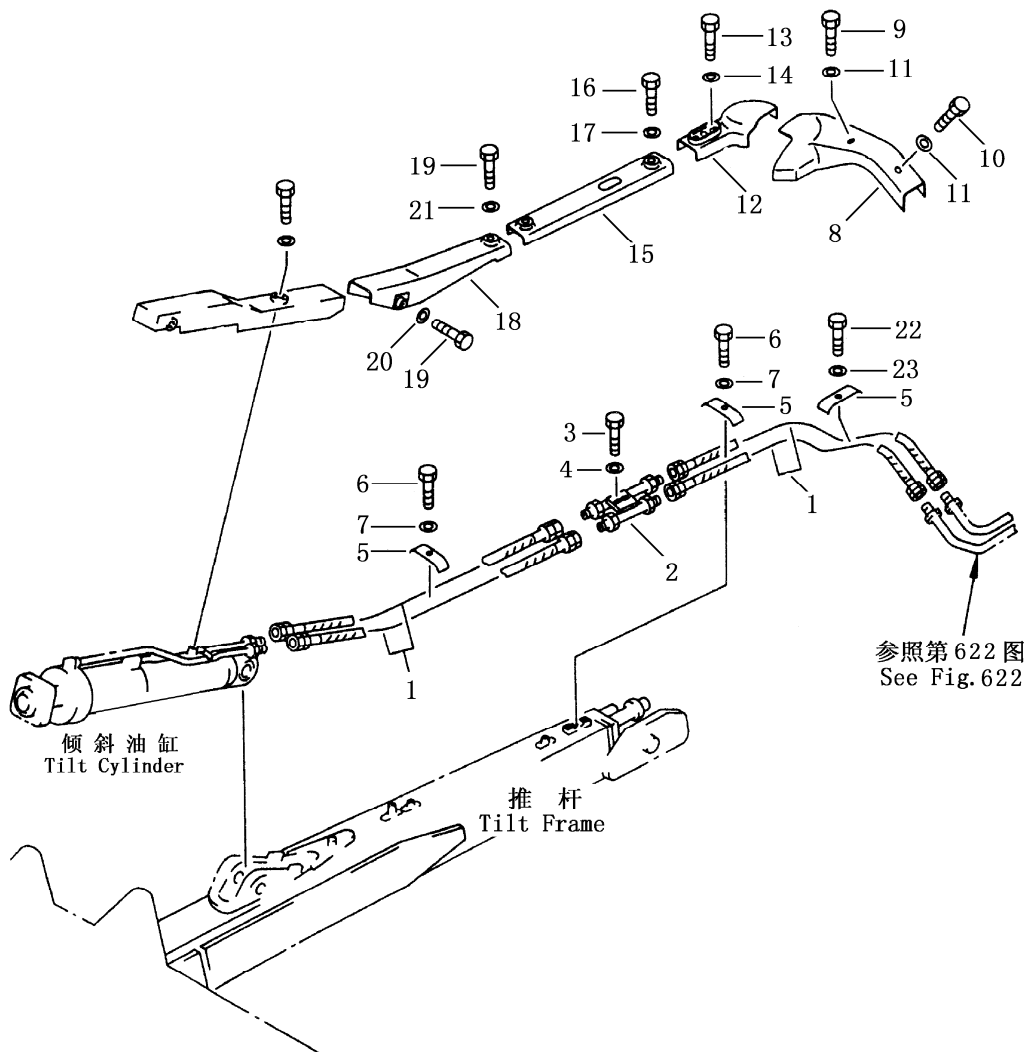
铲刀倾斜油缸
BLADE TILT CYLINDER



铲刀倾斜油缸
BLADE TILT CYLINDER

序号 Index No.	件号 Part No.	名称 Description	数量 Q'ty
	154-63-X2070	铲刀倾斜油缸总成 blade tilt cylinder ass'y	1
703-1	154-63-53141	缸体 body cylinder	1
2	154-63-52760	衬套 bushing	1
3	154-63-53120	活塞杆 rod piston	1
4	195-63-92190	防尘圈 seal dust	1
5	07179-13094	弹性挡圈 ring snap	1
6	707-27-16211	缸头 head cylinder	1
7	07177-08030	衬套 bushing	1
8	707-51-80211	密封圈 packing	1
9	07146-05152	保护圈 ring back-up	1
10	07000-15150	O型圈 o-ring	1
11	01252-31865	螺栓 bolt	12
12	707-36-16150	活塞 piston	1
13	707-44-16180	活塞环 ring piston	1
14	07155-01640	耐磨环 ring wear	1
15	07165-16264	螺母 nut	1
16	154-71-45120	管 tube	1
17	154-71-45130	管 tube	1
18	07000-13025	O型圈 o-ring	1
19	01010-50845	螺栓 bolt	2
20	01010-50835	螺栓 bolt	2
21	01643-30823	垫圈 washer	4
22	195-63-52871	管夹 clip	1
23	01010-51425	螺栓 bolt	1
24	01643-31445	垫圈 washer	4
25	154-71-45140	盖 cap	1
26	01010-51435	螺栓 bolt	3

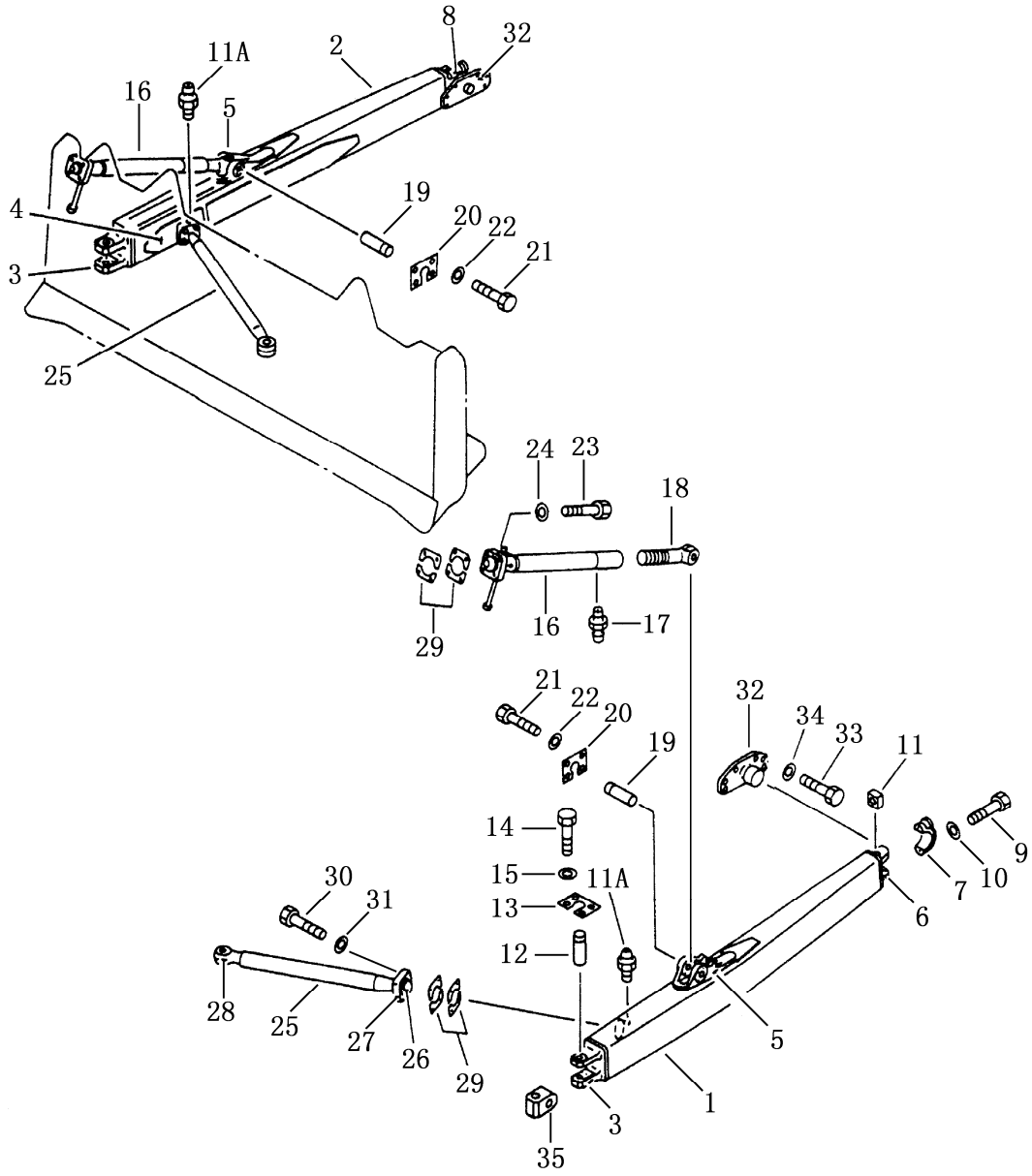
第 704 图 铲刀倾斜管路
 FIG. 704 BLADE TILT CYLINDER PIPING



倾斜管路
BLADE TILT CYLINDER PIPING

序号 Index No.	件号 Part No.	名称 Description	数量 Q'ty		
			SD23	SD23E SD23D	SD23S SD23R
704-1	07123-40411	软管 hose	4	4	
	07123-40412	软管 hose			2
2	154-71-45110	管 tube	1	1	
	154-71-45150	管 tube			1
3	01010-51430	螺栓 bolt	2	2	2
4	01643-31445	垫圈 washer	2	2	2
5	154-71-31460	管夹 clip	3	3	3
6	01010-51430	螺栓 bolt	2	2	2
7	01643-31445	垫圈 washer	2	2	2
8	154-71-31430	罩 cover	1		
	154-71-46110	罩 cover		1	
9	01010-51250	螺栓 bolt	1	1	1
10	101010-51235	螺栓 bolt	1	1	1
11	01643-31232	垫圈 washer	2	2	2
12	154-71-31440	罩 cover	1	1	1
13	01010-51430	螺栓 bolt	3	3	3
14	01643-31445	垫圈 washer	3	3	3
15	154-31-31383	罩 cover	1	1	
	154-929-3150	罩 cover			1
16	01010-51430	螺栓 bolt	2	2	2
17	195-71-32220	垫圈 washer	2	2	2
18	154-71-31394	罩 cover	1	1	
	154-929-3160	罩 cover			1
19	01010-51430	螺栓 bolt	3	3	3
20	01643-31445	垫圈 washer	2	2	2
21	195-71-32220	垫圈 washer	1	1	1
22	01010-51225	螺栓 bolt	1	1	1
23	01643-31232	垫圈 washer	1	1	1

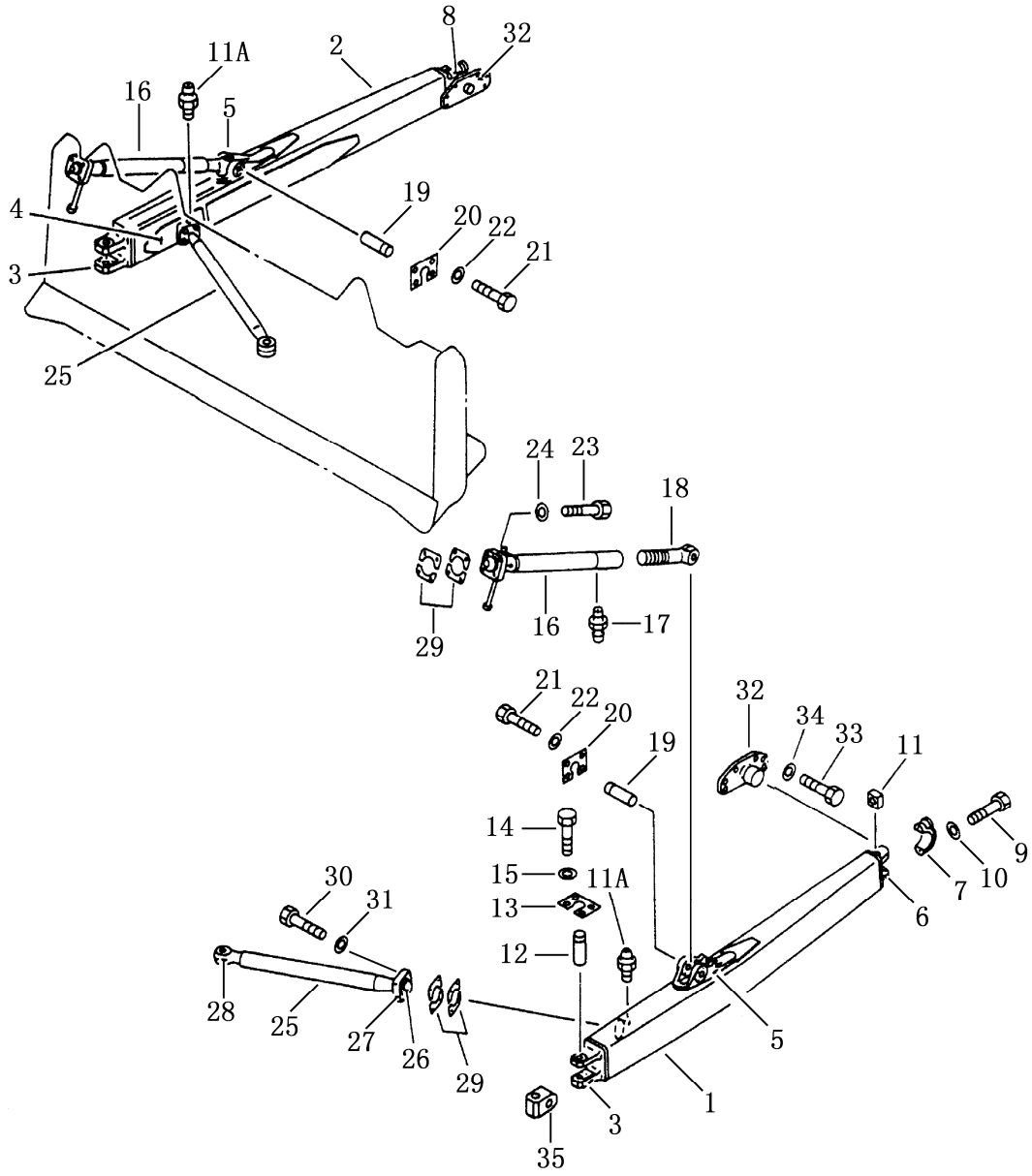
第 705 图 推 杆
 FIG. 705 STRAIGHT TILT FRAME



推 杆
STRAIGHT TILT FRAME

序号 Index No.	件 号 Part No.	名 称 Description	数量 Q'ty		
			SD23	SD23E	SD23S
705-1	154-71-31151	左推杆 frame L.H.	1	1	
	154-929-3240	左推杆 frame L.H.			1
2	154-71-31164	右推杆 frame R.H.	1	1	
	154-929-3130	右推杆 frame R.H.			
3	154-71-22231	托架 bracket	1	1	1
4	154-71-31510	左托架 bracket L.H.	1	1	1
	154-71-31610	右托架 bracket R.H.	1	1	1
5	175-71-31650	左托架 bracket L.H.	1	1	1
	154-71-31580	右托架 bracket R.H.	1	1	1
	150-70-00240	左托架总成 bracket ass'y L.H.	1	1	1
	154-71-00130	右托架总成 bracket ass'y R.H.	1	1	1
6	150-70-23153	托架 bracket	1	1	1
7	150-70-23244	盖 cap	1	1	1
8	154-71-31470	垫 seat R.H.	1	1	1
9	154-71-31420	螺栓 bolt	2	2	2
10	01643-32780	垫圈 washer	2	2	2
11	170-70-13141	螺母 nut	2	2	2
11A	07020-01018	油杯 fitting grease	2	2	2
12	154-71-22470	销 pin	2	2	2
13	175-71-21330	锁板 plate lock	2	2	2
14	01010-51435	螺栓 bolt	8	8	8
15	01643-31445	垫圈 washer	8	8	8
	154-81-00054	连杆总成 brace ass'y	2	2	2
16	154-71-22371	连杆 brace	1	1	1
17	07020-01018	油杯 fitting grease	1	1	1
18	154-71-21531	螺杆 screw	1	1	1
19	154-71-21290	销 pin	2	2	2
20	17-71-21330	锁板 plate lock	2	2	2
21	01010-51435	螺栓 bolt	8	8	8
22	01643-31445	垫圈 washer	8	8	8

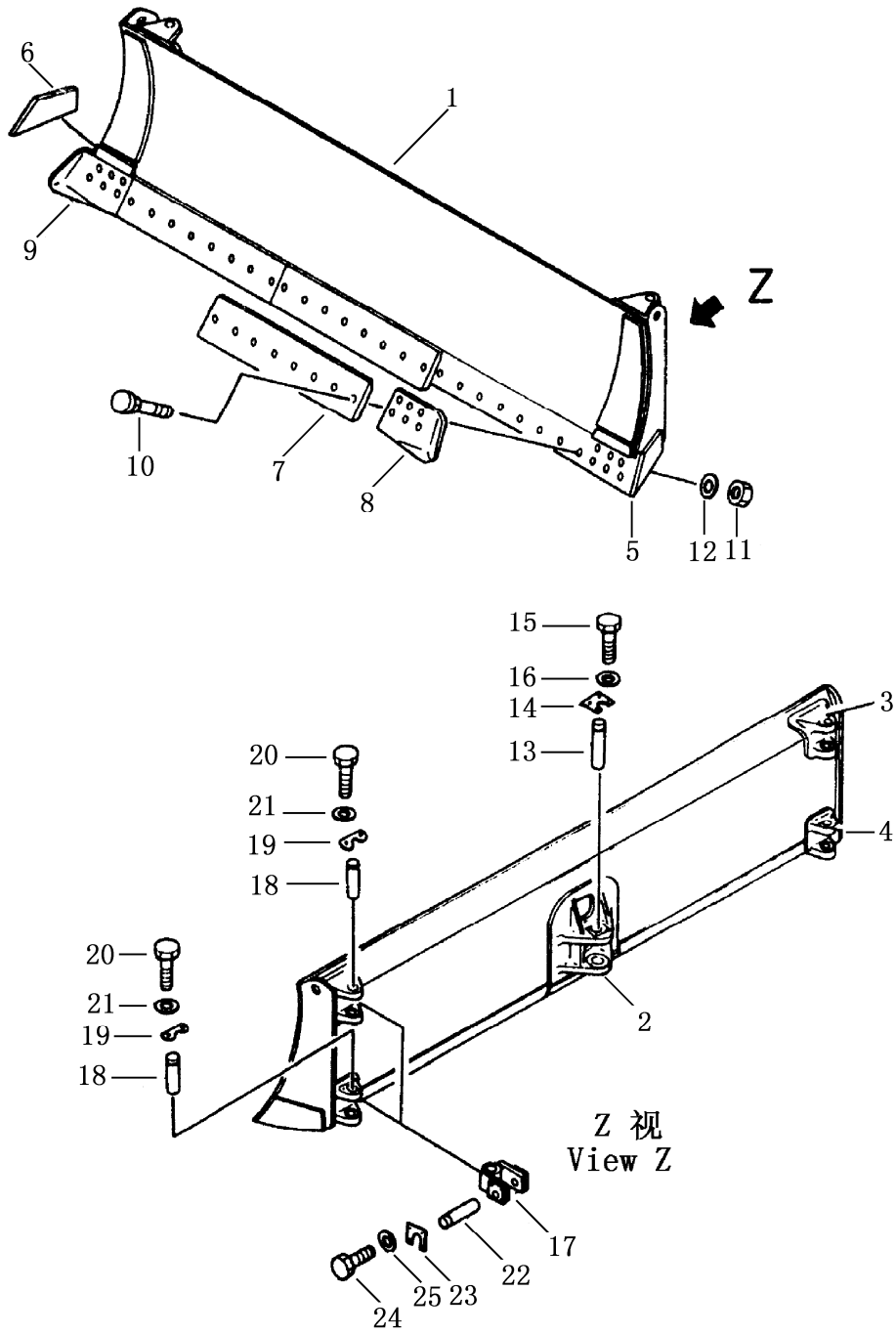
第 705 图 推 杆
 FIG. 705 STRAIGHT TILT FRAME



推 杆
STRAIGHT TILT FRAME

序号 Index No.	件 号 Part No.	名 称 Description	数量 Q'ty		
			SD23	SD23E	SD23S
705-23	01010-52490	螺栓 bolt	8	8	8
24	01643-32460	垫圈 washer	8	8	8
25	154-71-31221	臂 arm	2	2	2
26	154-71-22332	球头 ball(welded)	1	1	1
27	154-71-22340	盖 cap	1	1	1
28	154-71-22362	接头 joint	1	1	1
29	150-71-00017	垫片总成 shim ass'y	2	2	2
30	01010-52490	螺栓 bolt	8	8	8
31	01643-32460	垫圈 washer	8	8	8
32	154-70-13214	耳轴 trunnion	2	2	2
33	01010-52250	螺栓 bolt	12	12	12
34	01643-32260	垫圈 washer	12	12	12
35	154-71-22261	接头 joint	2	2	2
36	154-71-32210	左推杆 frame L. H.	1	1	1
37	154-71-31630	板 plate	1	1	1
38	01010-51225	螺栓 bolt	4	4	4
39	01643-31232	垫圈 washer	4	4	4

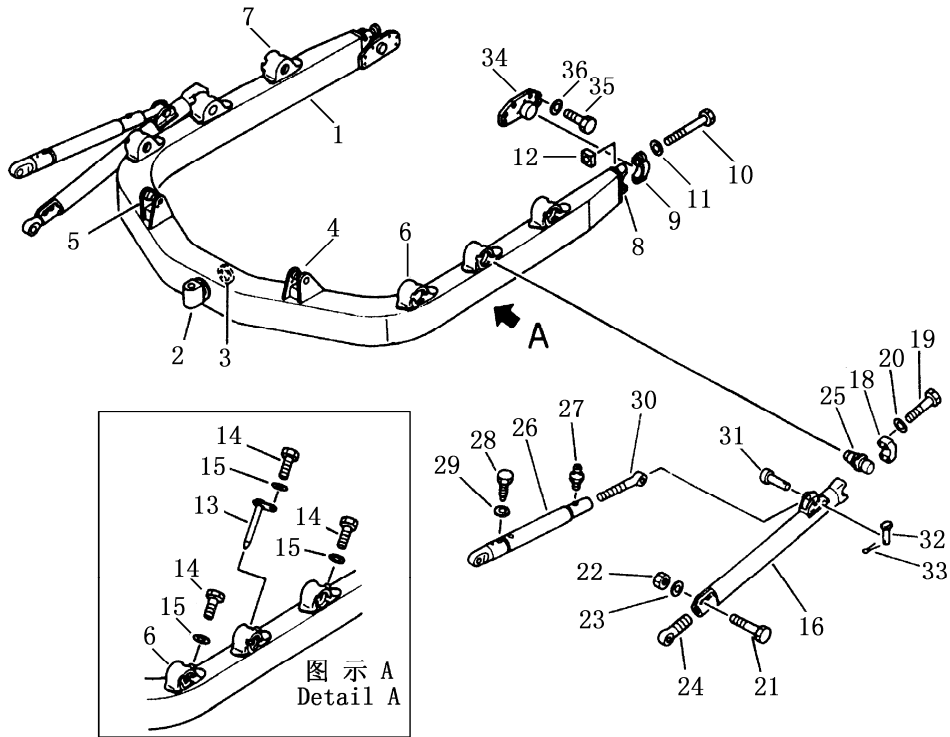
第 706 图 角 铲
 FIG.706 ANGLE BLADE



角 铲
ANGLE BLADE

序号 Index No.	件 号 Part No.	名 称 Description	数量 Q'ty
706-1	154-70-41210	刀头 blade	1
2	154-70-11162	托架(焊接) bracket (welded)	1
3	154-70-41110	托架(焊接) bracket (welded)	2
4	154-70-11182	托架(焊接) bracket (welded)	2
5	154-70-13320	板(焊接) plate (welded)	1
6	154-70-13330	板(焊接) plate (welded)	1
7	154-70-11314	切刃 edge cutting	3
8	150-70-21356	左刀角 bit end L.H	1
9	150-70-21346	右刀角 bit end R.h	1
10	154-71-41270	螺栓 bolt	36
11	154-70-22270	螺帽 screw cap	36
12	01643-21845	垫圈 washer	36
13	150-70-23333	插销 pin	1
14	09257-06009	锁板 plate lock	1
15	01010-51435	螺栓 bolt	4
16	01643-31445	垫圈 washer	4
17	154-70-16280	连接 joint	4
18	154-70-16270	销 pin	4
19	154-70-16290	锁板 plate lock	4
20	01010-51435	螺栓 bolt	8
21	01643-31445	垫圈 washer	8
22	09255-01125	销 pin	4
23	09257-05009	锁板 plate lock	4
24	01010-51435	螺栓 bolt	16
25	01643-31445	垫圈 washer	16

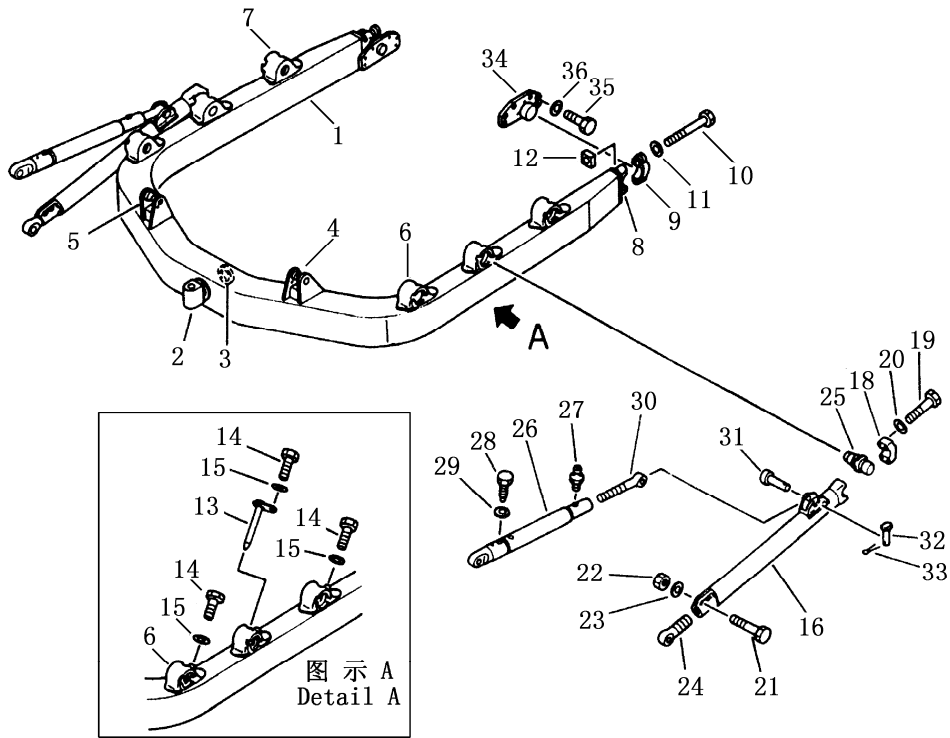
第 707 图 弓形架
FIG. 707 C-FRAME



弓形架
C-FRAME

序号 Index No.	件号 Part No.	名称 Description	数量 Q'ty
707-1	154-70-41230	弓形架 C-frame ass'y	1
2	154-70-23315	接头 joint	1
3	154-70-23320	轴瓦 collar	1
4	154-70-41240	左托架(焊接) bracket L.H(welded)	1
5	154-70-41250	右托架(焊接) bracket R.H. (welded)	1
6	154-70-13134	左托架(焊接) bracket L.H. (welded)	3
7	154-70-13124	右托架(焊接) bracket R.H. (welded)	3
8	150-70-23153	支座 bracket(welded)	2
9	150-70-23244	螺盖 cap	2
10	154-71-31420	螺栓 bolt	2
11	01643-32780	垫圈 washer	2
12	170-70-13141	螺母 nut	2
13	154-70-19181	插销 pin	2
14	01010-51420	螺栓 bolt	6
15	205-06-62270	垫圈 washer	6
16	154-70-12116	支撑 support	2
18	175-70-12160	轴盖 cap	2
19	01010-52095	螺栓 bolt	8
20	01643-32060	垫圈 washer	8
21	01010-51880	螺栓 bolt	4
22	01580-11815	螺母 nut	4
23	01643-31845	垫圈 washer	4
24	175-70-12130	螺杆 screw	2
25	154-70-12162	轴 shaft	2
26	154-70-17160	支撑 brace	2
27	07020-01021	油杯 fitting grease	4
28	175-70-12221	螺钉 screw	2

第 707 图 弓形架
FIG. 707 C-FRAME

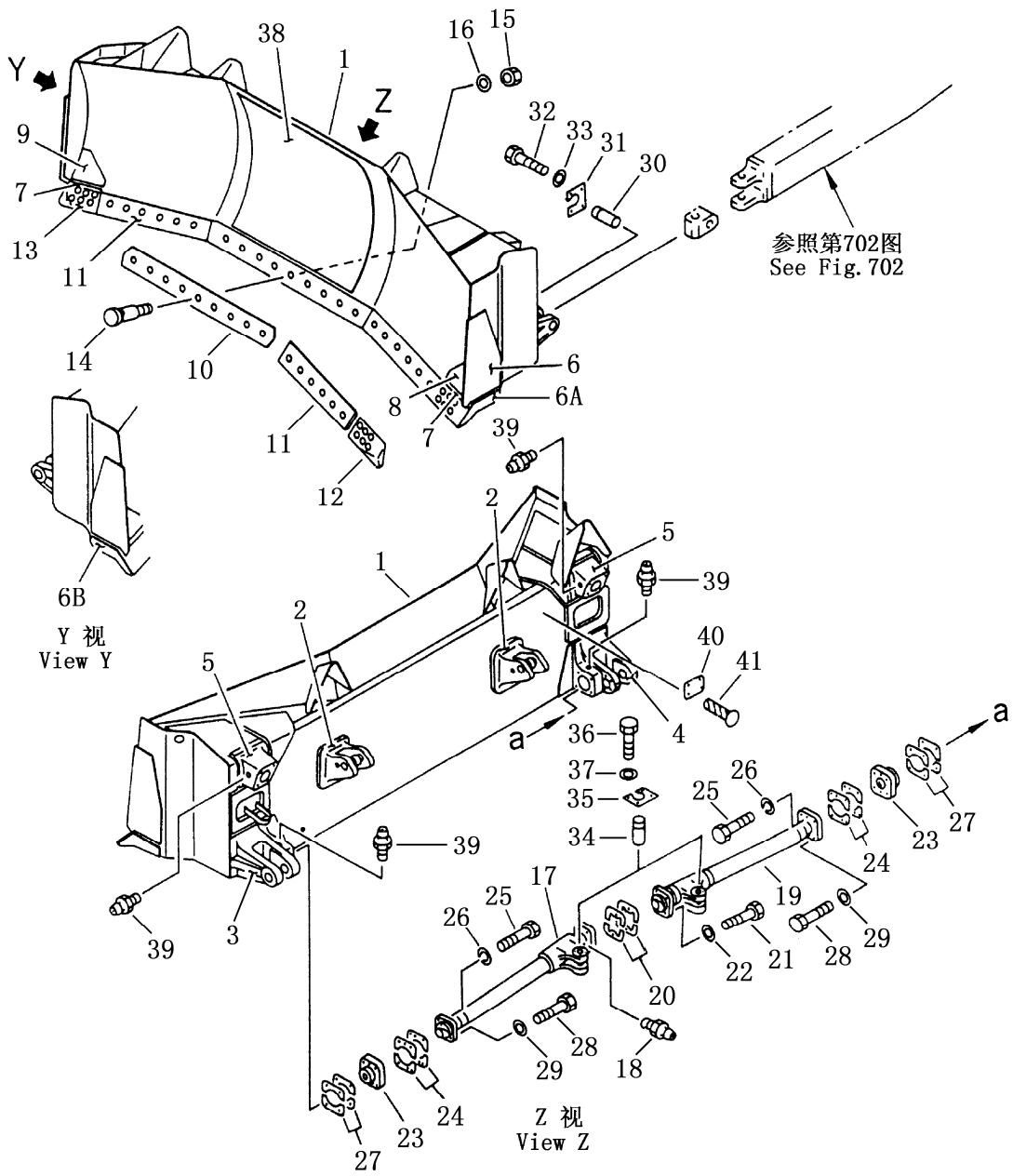


弓形架
C-FRAME

序号 Index No.	件 号 Part No.	名 称 Description	数量 Q'ty
707-29	01643-31445	垫圈 washer	2
30	154-70-12251	丝杠 screw	2
31	150-70-13411	插销 pin	2
32	170-70-12240	插销 pin	2
33	04050-04025	开口销 pin cotter	2
34	154-70-13214	耳轴 trunnion	2
35	01010-52250	螺栓 bolt	12
36	01643-32260	垫圈 washer	12

第 708 图
FIG. 708

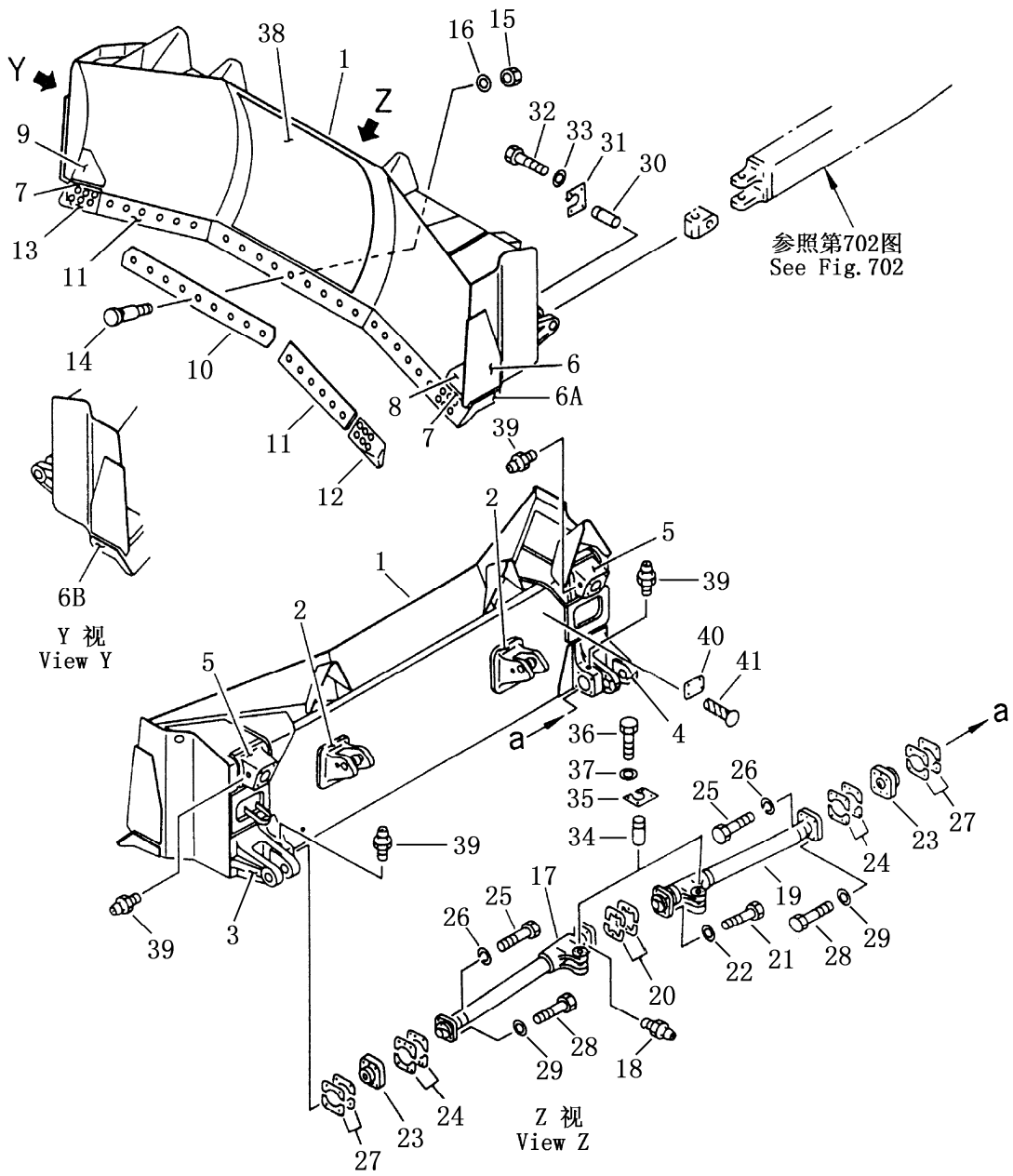
U 型铲
U-BLADE



U 型铲
U-BLADE

序号 Index No.	件号 Part No.	名称 Description	数量 Q'ty
708-1	154-72-51111	刀头 blade ass'y	1
2	154-929-5120	支架(焊接) bracket (welded)	2
3	154-71-31121	支架(左)(焊接) bracket L.H (welded)	1
4	154-71-31131	支架(右)(焊接) bracket R.H (welded)	1
5	154-71-31142	支枢(焊接) pivot (welded)	2
6	154-72-31140	板(左)(焊接) plate L.H. (welded)	2
6A	154-72-31150	板(左) plate L.H.	1
6B	154-72-31160	板(右) plate R.H.	1
7	154-72-31170	板(右)(焊接) plate R.H. (welded)	2
8	154-72-51120	板(左)(焊接) plate L.H. (welded)	1
9	154-72-51130	板(右)(焊接) plate R.H. (welded)	1
10	154-72-11122	刀片 edge cutting	1
11	154-72-11151	刀片 edge cutting	2
12	150-70-21356	左刀角 bit L.H.	1
13	150-70-21346	右刀角 bit R.H.	1
14	154-71-41270	螺栓 bolt	33
15	154-70-22270	螺母 nut	33
16	01643-21845	垫圈 washer	33
17	154-71-31191	左臂 arm L.H.	1
18	07020-01021	油杯 M10×1 fitting grease	1
19	154-71-31211	右臂 arm R.H.	1
20	175-71-00302	调整垫组件 shim adjusting ass'y	1
21	01010-52490	螺栓 M24×90 bolt	4
22	01643-32460	垫圈 washer	4
23	154-71-31270	盖 cap	2
24	154-71-00140	调整垫组件 shim adjusting ass'y	2
25	01010-51270	螺栓 M12×70 bolt	4
26	01602-21236	垫圈 washer	4
27	150-71-00017	垫片总成 shim ass'y	2
28	01011-52420	螺栓 M24×120 bolt	8
29	01643-32460	垫圈 washer	8
30	154-71-22470	销 pin	2
31	175-71-21330	锁片 plate lock	2

第 708 图 U 型铲
 FIG. 708 U-BLADE

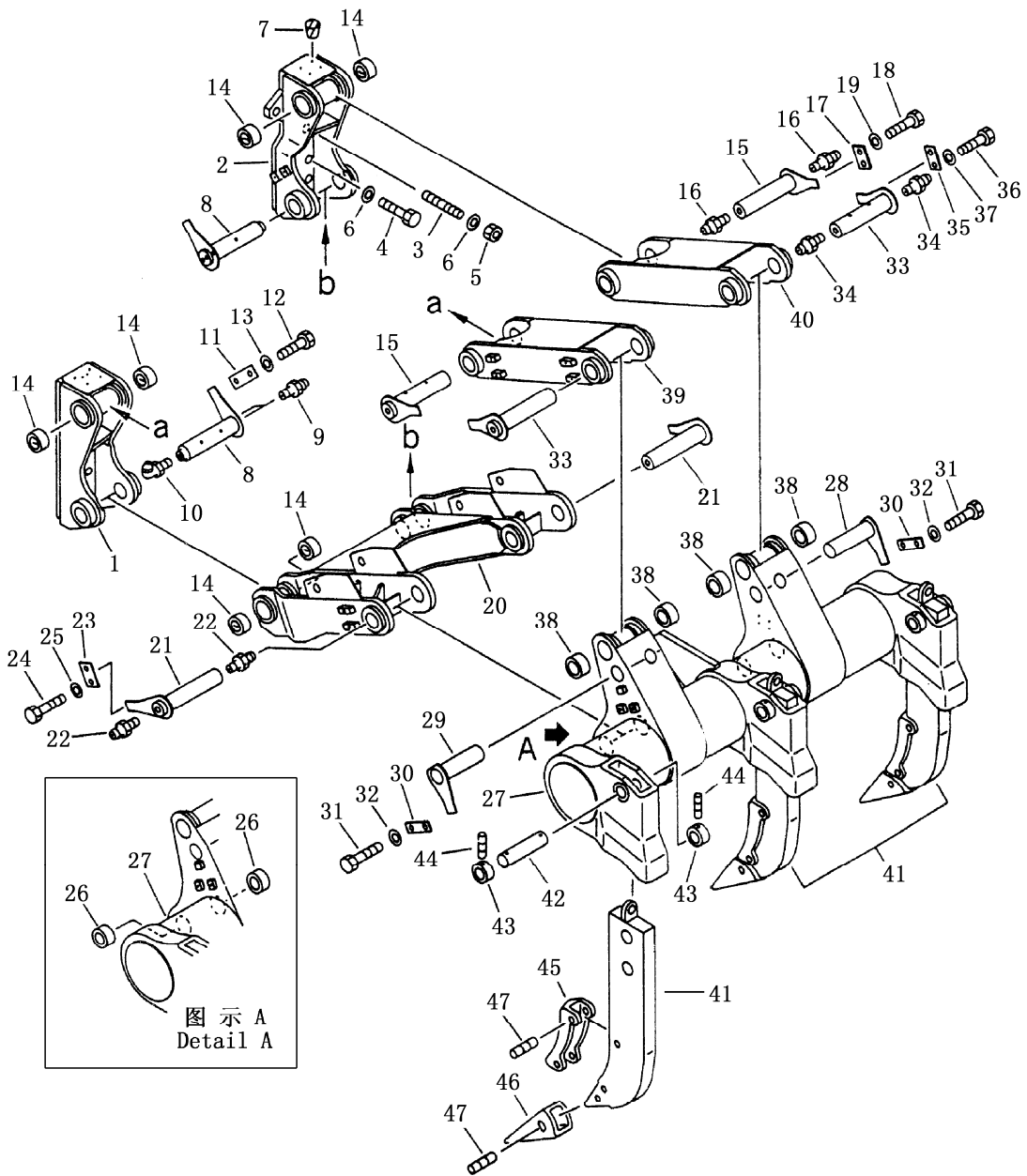


U 型铲
U-BLADE

序号 Index No.	件 号 Part No.	名 称 Description	数量 Q'ty
708-32	01010-51435	螺栓 M14×35 bolt	8
33	01643-31445	垫圈 washer	8
34	154-71-22480	销 pin	2
35	154-71-22490	锁片 plate lock	2
36	01010-51435	螺栓 M14×35 bolt	8
37	01643-31445	垫圈 washer	8
38	154-937-1110	板 (焊接) plate (welded)	1
39	07020-01021	油杯 M10×1 fitting grease	4
40	09601-00835	标牌 plate name	1
41	04418-03060	铆钉 rivet	4

第 709 图
FIG. 709

三齿松土器
THREE SHANK RIPPER

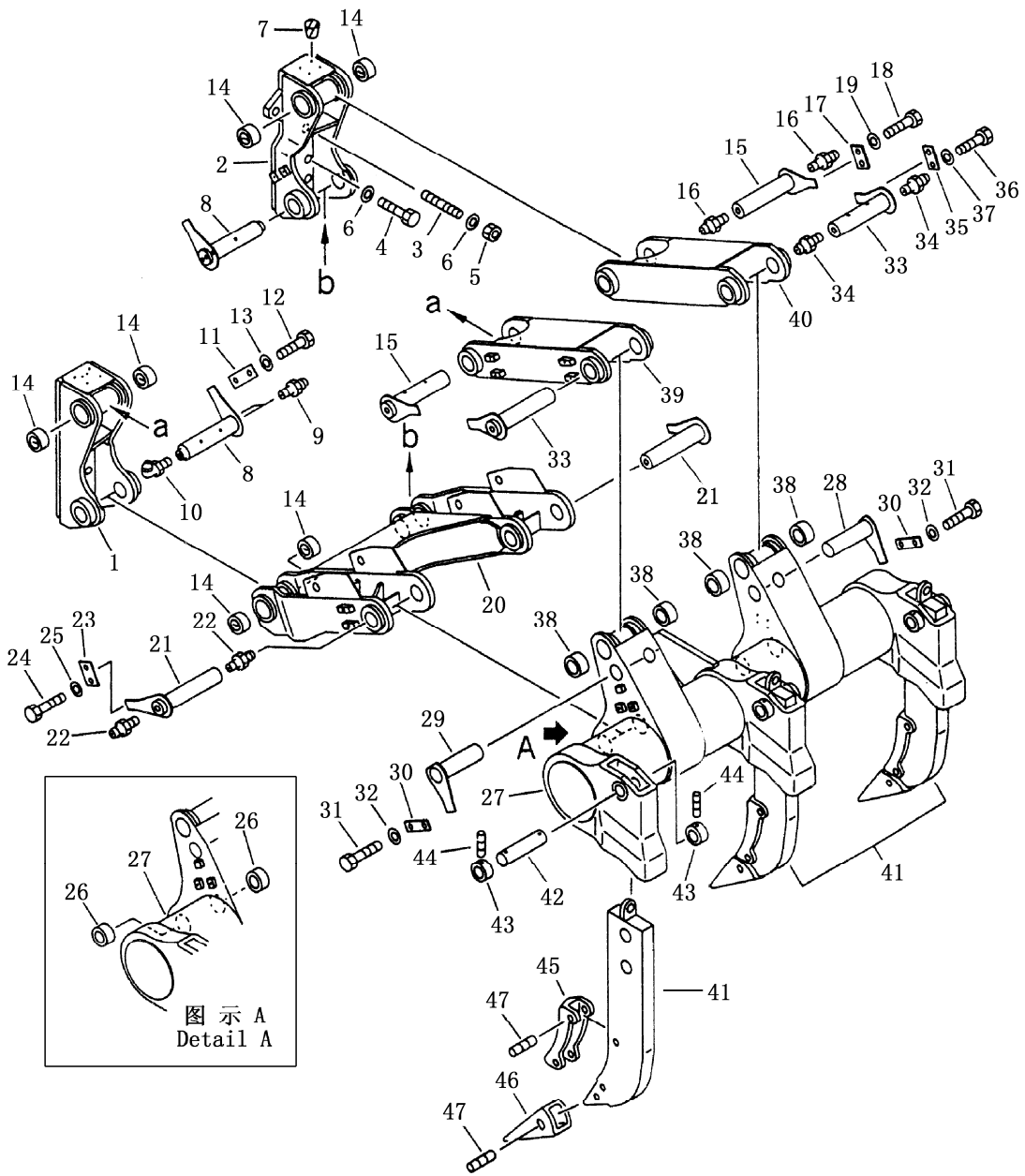


三 齿 松 土 器
THREE SHANK RIPPER

序号 Index No.	件 号 Part No.	名 称 Description	数量 Q'ty
709-1	154-78-14154	托架(左) bracket L.H.	1
2	154-78-14164	托架(右) bracket R.H.	1
3	154-78-14281	双头螺栓 bolt, bipitch	4
4	01018-33390	螺栓 M33×90 bolt	8
5	01580-03326	螺母 M33 nut	4
6	01643-33380	垫圈 washer	12
7	07049-01620	软木塞 plug wooden	4
8	154-78-14173	销轴 pin shaft	2
9	07020-01021	油杯 M10×1 fitting grease	4
10	07020-01021	油杯 M10×1 fitting grease	2
11	154-78-14290	板 plate	2
12	01001-51845	螺栓 M18×45 bolt	4
13	01643-31845	垫圈 washer	4
14	154-78-14224	衬套 bushing	8
15	154-78-14182	销轴 pin shaft	2
16	07020-01021	油杯 M10×1 fitting grease	4
17	154-78-14200	板 plate	2
18	01010-51845	螺栓 M18×45 bolt	4
19	01643-31845	垫圈 washer	4
20	154-78-14128	连接架 linkage	1
21	154-78-14191	销 pin	2
22	07020-01021	油杯 M10×1 fitting grease	4
23	154-78-14290	板 plate	2
24	01010-81845	螺栓 M18×45 bolt	4
25	01643-31845	垫圈 washer	4
26	154-78-14224	衬套 bushing	4
27	154-78-14118	横梁 transbeam	1
28	154-78-15161	销(右) pin	1
29	154-78-14211	销(左) pin	1
30	154-78-14290	板 plate	2

第 709 图
FIG. 709

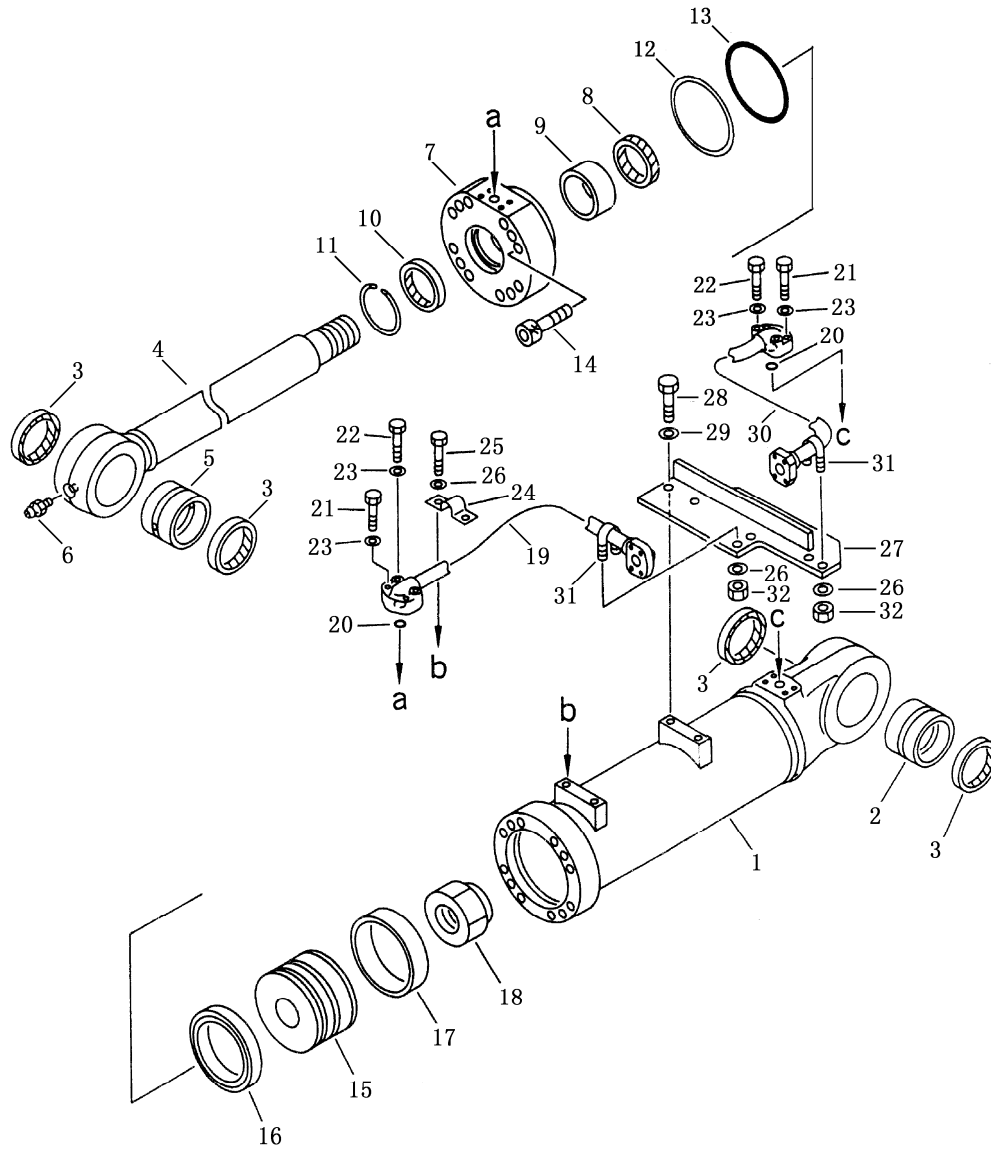
三齿松土器
THREE SHANK RIPPER



三 齿 松 土 器
THREE SHANK RIPPER

序号 Index No.	件 号 Part No.	名 称 Description	数量 Q'ty
709-31	01010-51645	螺栓 M18×45 bolt	4
32	01643-31845	垫圈 washer	4
33	154-78-14182	销轴 pin	2
34	07020-01021	油杯 M10×1 fitting	4
35	154-78-14290	板 plate	2
36	01010-51845	螺栓 M18×45 bolt	4
37	01643-31845	垫圈 washer	4
38	154-78-14224	衬套 bushing	4
39	154-78-14134	连杆（左） link L. H.	1
40	154-78-14144	连杆（右） link R. H.	1
41	154-78-14349	松土支角 shank	3
42	154-78-32430	销 pin	3
43	154-78-32440	套环 ringer	6
44	09244-02489	销套 bushing	6
45	154-78-31330	护板 protector	3
46	175-78-31230	齿尖 point	3
47	09244-02508	销套 bushing	3

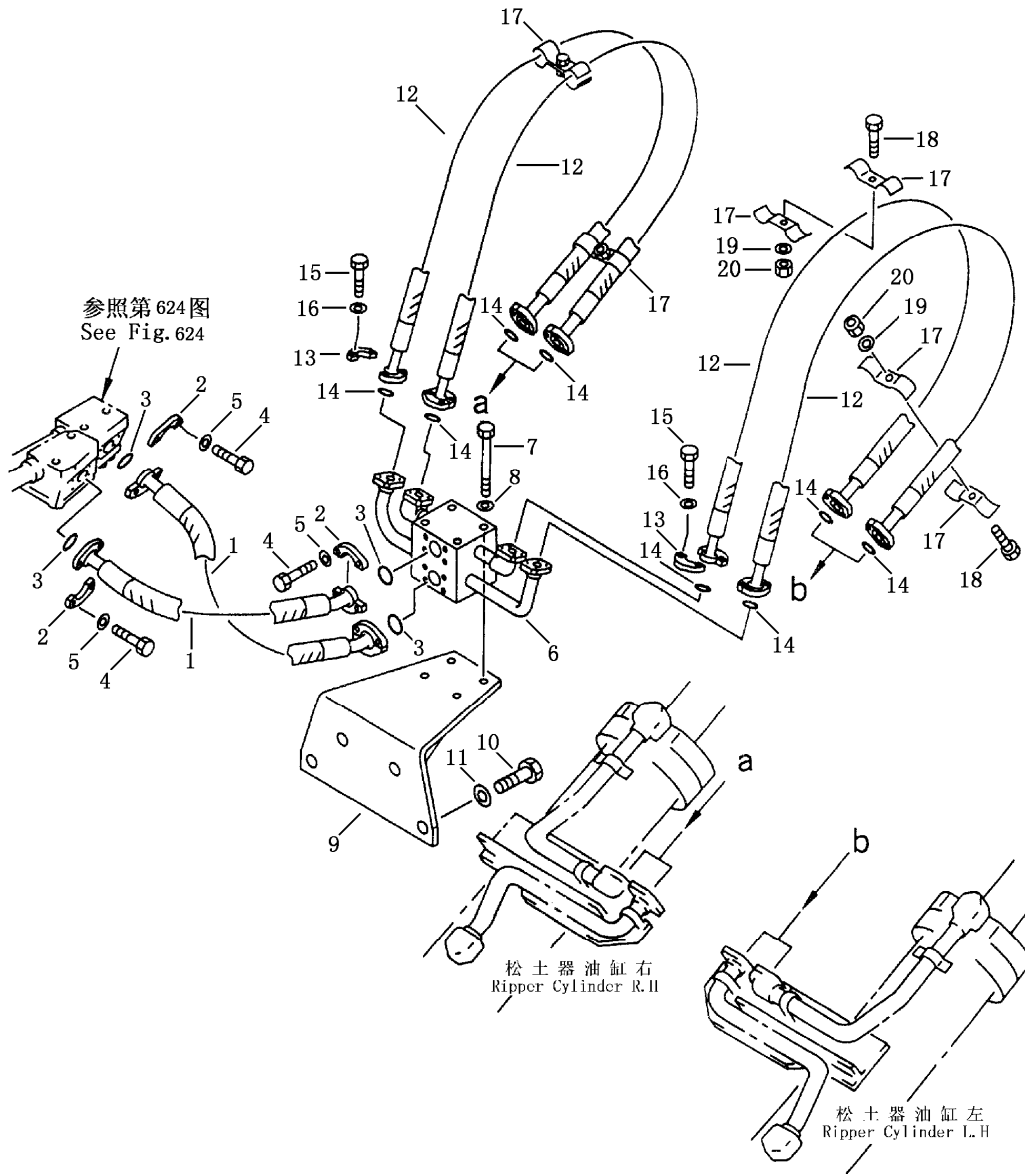
第 710 图 三齿松土器油缸
 FIG. 710 THREE SHANK RIPPERRIPPER CYLINDER



三齿松土器油缸
THREE SHANK RIPPERRIPPER CYLINDER

序号 Index No.	件号 Part No.	名称 Description	数量 Q'ty
	154-63-X2081	松土器油缸(左)ripper cylinder L.H	1
	154-63-X2091	松土器油缸(右)ripper cylinder R.H	1
	154-63-02081	松土器油缸总成 ripper cylinder ass'y	2
710-1	154-63-44141	缸体 body, cylinder	1
2	154-63-42320	衬套 bushing	1
3	07145-00075	防尘封 seal dust	4
4	154-63-44121	活塞杆 rod piston	1
5	154-63-42420	衬套 bushing	1
6	07020-00000	油杯 fitting grease	1
7	707-27-14030	缸头 head cylinder	1
8	707-51-70211	密封圈 packing	1
9	07177-07030	衬套 bushing	1
10	144-63-95170	防尘封 seal dust	1
1	07179-12084	弹性挡圈 ring snap	1
12	07146-02136	保护圈 ring back-up	1
13	07000-12135	O 圈 O-ring	1
14	01252-31675	螺栓 bolt	12
15	707-36-14220	活塞 piston	1
16	707-44-14180	活塞环 ring piston	1
17	07155-01435	耐磨环 ring near	1
18	07165-15252	螺母 nut	1
19	154-78-42161	管(左) tube L.H.	1
	154-78-42171	管(右) tube R.H.	1
20	07000-13025	O 型圈 O-ring	2
21	01010-50835	螺栓 bolt	4
22	01010-50845	螺栓 bolt	4
23	01643-30823	垫圈 washer	8
24	07282-12288	管夹 clip	1
25	01010-51020	螺栓 bolt	2
26	01643-31032	垫圈 washer	6
27	707-88-11421	左支架 bracket L.H.	1
	701-88-11431	右支架 bracket R.H.	1
28	01010-51230	螺栓 bolt	2
29	01643-31232	垫圈 washer	2
30	154-78-42141	管(左) tube L.H.	1
	154-78-42151	管(右) tube R.H.	1
31	07283-22236	U形管夹 clip	2
32	01599-01011	螺母 nut	4

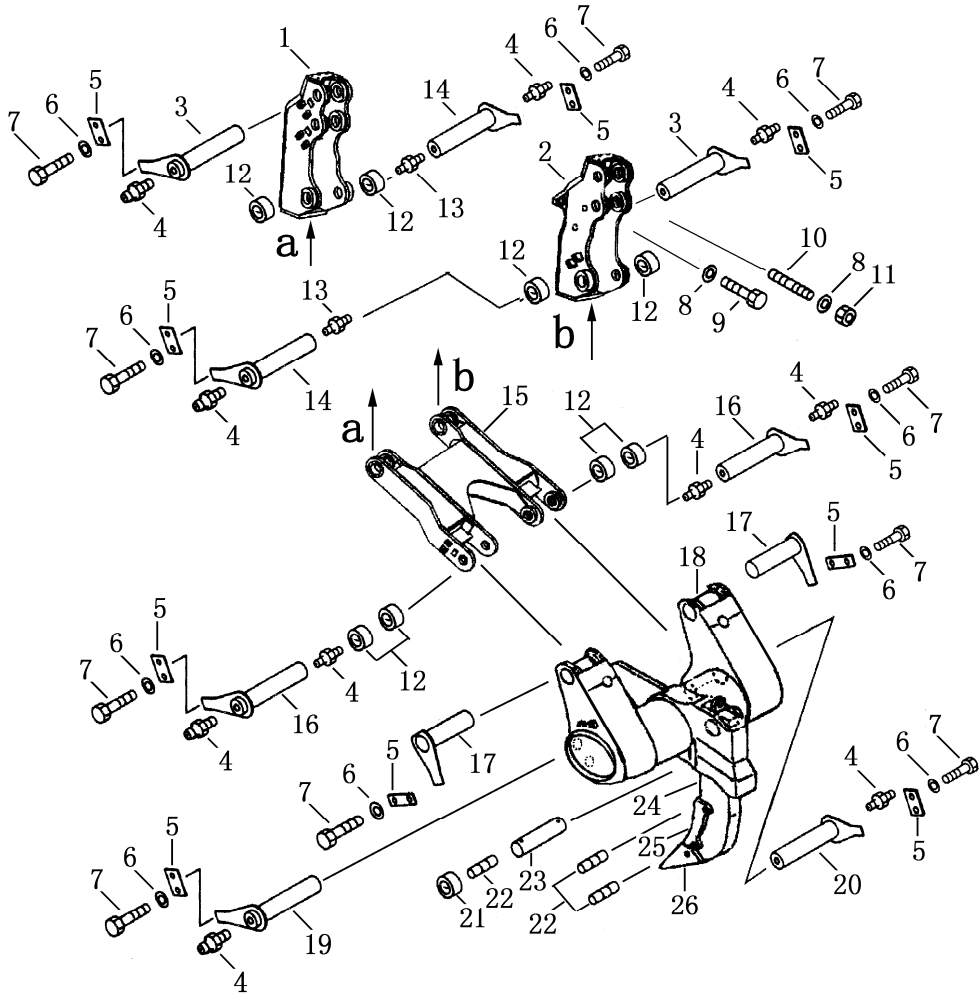
第 711 图 三齿松土器管路
 FIG. 711 THREE SHANK RIPPER PIPING



三齿松土器管路
THREE SHANK RIPPER PIPING

序号 Index No.	件号 Part No.	名称 Description	数量 Q'ty
711-1	07122-01006	软管 hose	2
2	07371-31049	法兰 flange	8
3	07000-13032	O型圈 O-ring	4
4	07372-21030	螺栓 bolt	16
5	01643-51032	垫圈 washer	16
6	154-78-42190	管 tube	1
7	01010-51265	螺栓 bolt	4
8	01643-31232	垫圈 washer	4
9	154-78-42210	支架 bracket	1
10	01010-52050	螺栓 bolt	4
1	01643-32060	垫圈 washer	4
12	07089-20515	软管 hose	4
13	07371-30500	法兰 flange	16
14	07000-13022	O型圈 O-ring	8
15	01010-50830	螺栓 bolt	32
16	01643-50823	垫圈 washer	32
17	154-78-42130	管夹 clamp	8
18	01010-51025	螺栓 bolt	4
19	01643-31032	垫圈 washer	4
20	01580-11008	螺母 nut	4

第 712 图 单齿松土器
FIG. 712 SINGLE SHANK RIPPER



单齿松土器

SINGLE SHANK RIPPER

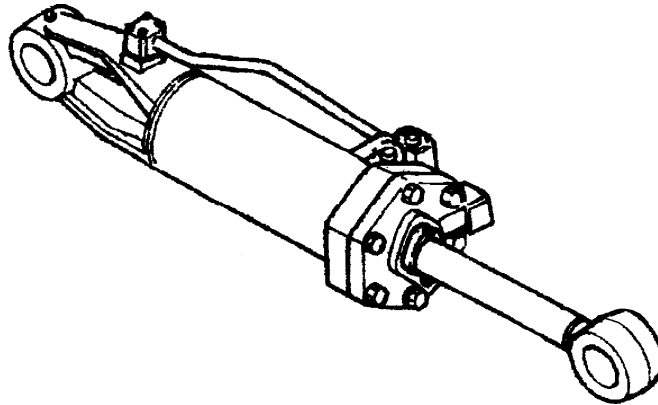
序号 Index No.	件号 Part No.	名称 Description	数量 Q'ty
712-1	17Y-89-30000	左托架 bracket, L.H	1
2	17Y-89-20000	右托架 bracket, R.H	1
3	23Y-89-90000	销轴 pin shaft	4
4	07020-01018	油杯 M10x1 fitting grease	12
5	154-78-14290	板 plate	12
6	01643-31845	垫圈 washer	24
7	01010-51840	螺栓 bolt	24
8	01643-33380	垫圈 washer	12
9	01018-13390	螺栓 M33X3X90 bolt	8
10	154-78-14281	双头螺栓 bolt, bipitch	4
11	01582-03326	螺母 nut	4
12	154-78-14223	衬套 bushing	8
13	07021-01060	油杯 60° fitting grease	2
14	23Y-89-00300	销轴 pin shaft	2
15	23Y-89-00200	连接架 linkage	1
16	23Y-89-80000	销轴 pin shaft	2
17	23Y-89-30000	销轴 pin shaft	2
18	23Y-89-20000	横梁 transbeam	1
19	23Y-89-40000	销轴 (左) pin shaft, L.H	1
20	23Y-89-50000	销轴 (右) pin shaft, R.H	1
21	23Y-89-00004	套环 collar	2
22	09244-02508	销套 bushing	5
23	23Y-89-00005	销 pin	1
24	23Y-89-00100	松土支角 shank	1
25	154-78-31330	护板 plate, protected	1
26	175-78-31230	齿尖 tip point	1

第 713 图

单齿松土器升降油缸

FIG. 713

SINGLE SHANK RIPPER LIFT CYLINDER



单齿松土器升降油缸

SINGLE SHANK RIPPER LIFT CYLINDER

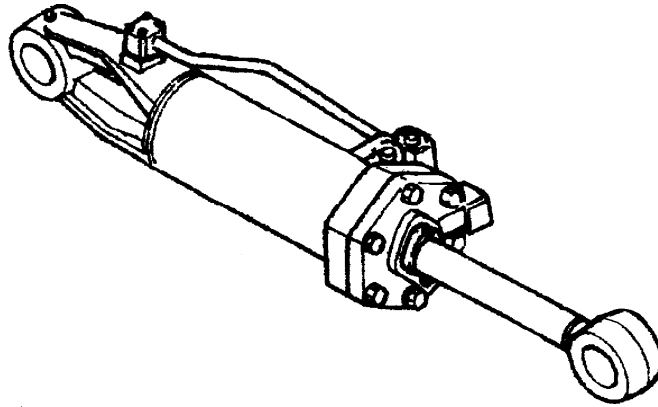
序号 Index No.	件号 Part No.	名称 Description	数量 Q'ty
	23Y-89-10100	单齿松土器升降油缸 (左) lift cylinder ass'y, L.H	1
	23Y-89-10200	单齿松土器升降油缸 (右) lift cylinder ass'y, R.H	1

第 714 图

单齿松土器调角油缸

FIG. 714

SINGLE SHANK RIPPER TILT CYLINDER

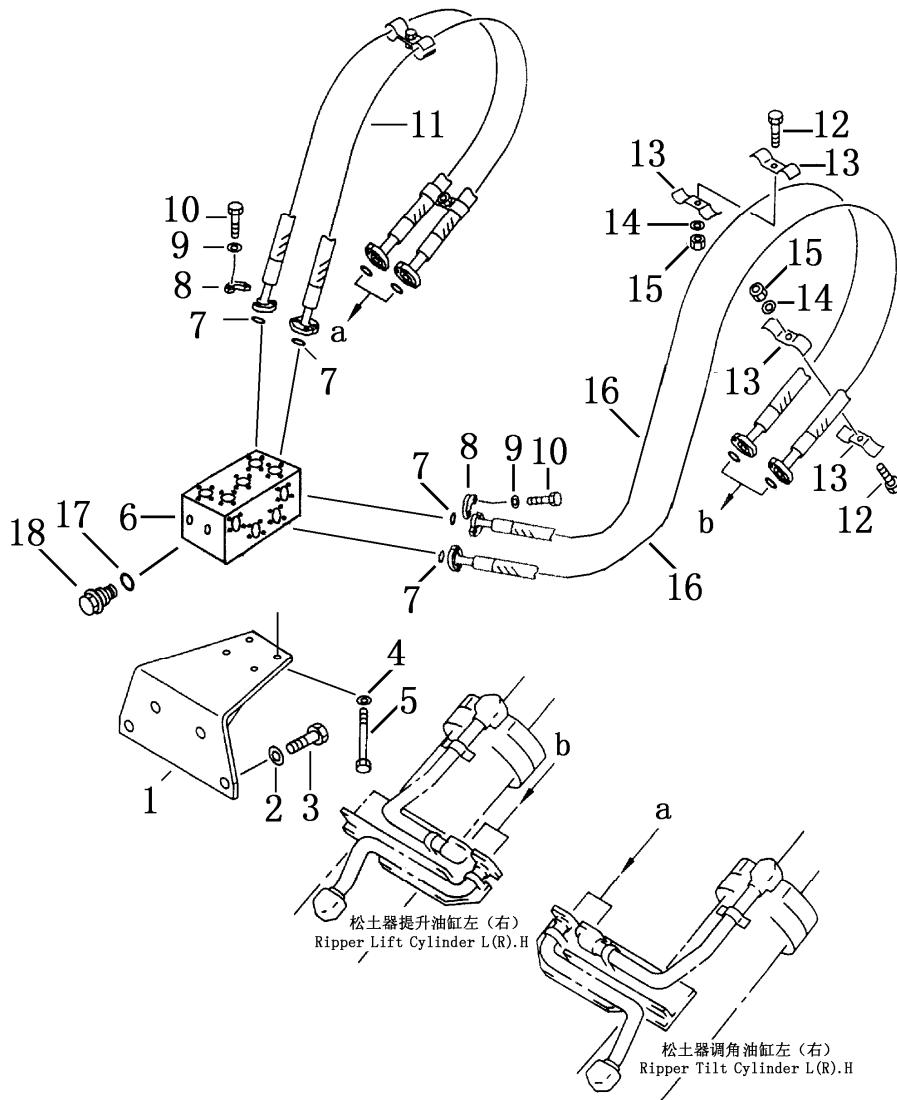


单齿松土器调角油缸

SINGLE SHANK RIPPER TILT CYLINDER

序号 Index No.	件号 Part No.	名称 Description	数量 Q'ty
	23Y-89-10300	单齿松土器调角油缸 (左) lift cylinder ass'y, L.H	1
	23Y-89-10400	单齿松土器调角油缸 (右) lift cylinder ass'y, R.H	1

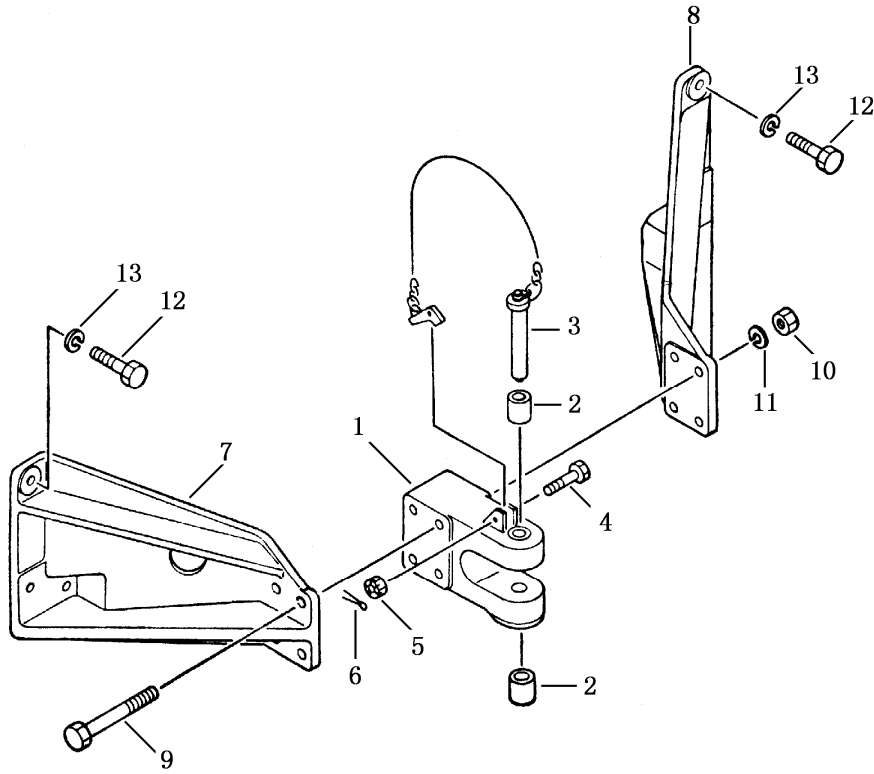
第 715 图 单齿松土器管路
 FIG. 715 SINGLE SHANK RIPPER PIPING



单齿松土器管路
SINGLE SHANK RIPPER PIPING

序号 Index No.	件号 Part No.	名称 Description	数量 Q'ty
715-1	17Y-89-10100	支架 bracket	1
2	01643-32060	垫圈 washer	4
3	01010-52050	螺栓 bolt	4
4	01010-81235	螺栓 bolt	4
5	01643-31232	垫圈 washer	4
6	17Y-89-10001	分油体 body, split	1
7	07000-13025	O型圈 O-ring	16
8	07371-30640	分离式法兰 flange, split	32
9	01643-51032	垫圈 washer	64
10	01010-51035	螺栓 bolt	64
11	07115-00616	软管 hose	4
12	01010-51025	螺栓 bolt	8
13	23Y-64-00001	管夹 clip	8
14	01602-21030	垫圈 washer	8
15	01580-01008	螺母 nut	8
16	07115-00613	软管 hose	4
17	07002-12434	O型圈 O-ring	4
18	07040-12414	螺塞 plug	4

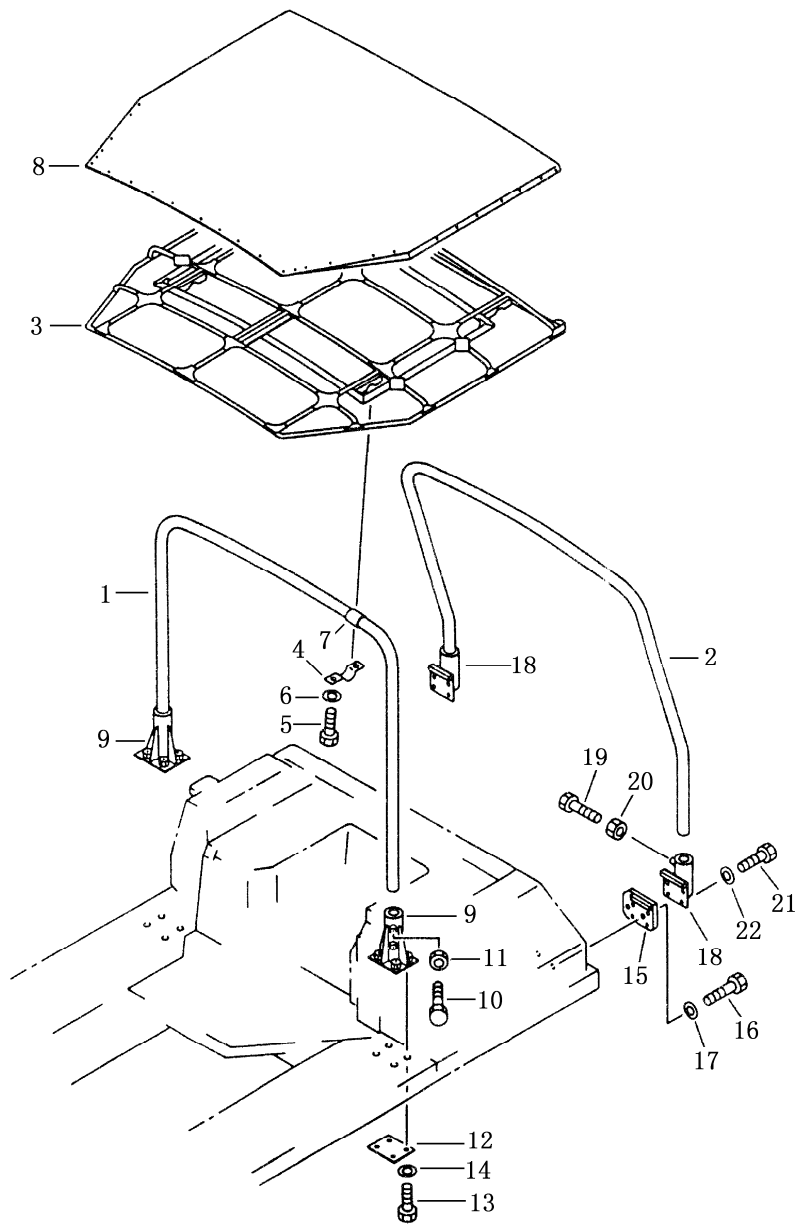
第 716 图 牵引架
FIG. 716 DRAWBAR



牵引架 DRAWBAR

序号 Index No.	件号 Part No.	名称 Description	数量 Q'ty
	154-69-11000	牵引架总成 drawbar ass'y	1
716-1	175-69-21212	牵引架 drawbar	1
2	150-74-11350	衬套 bushing	2
3	154-69-11341	销合件 pin ass'y	1
4	01052-51675	螺栓 M16×75 bolt	1
5	01592-11619	螺母 M16 nut	1
6	04050-14030	开口销 pin, cotter	1
7	150-74-11122	托架（左） bracket	1
8	150-74-11112	托架（右） bracket	1
9	150-74-11140	螺栓 bolt	4
10	01580-13326	螺母 M33 nut	4
11	01643-33380	垫圈 washer	4
12	01010-83385	螺栓 M33×85 bolt	6
13	01643-33380	垫圈 washer	6

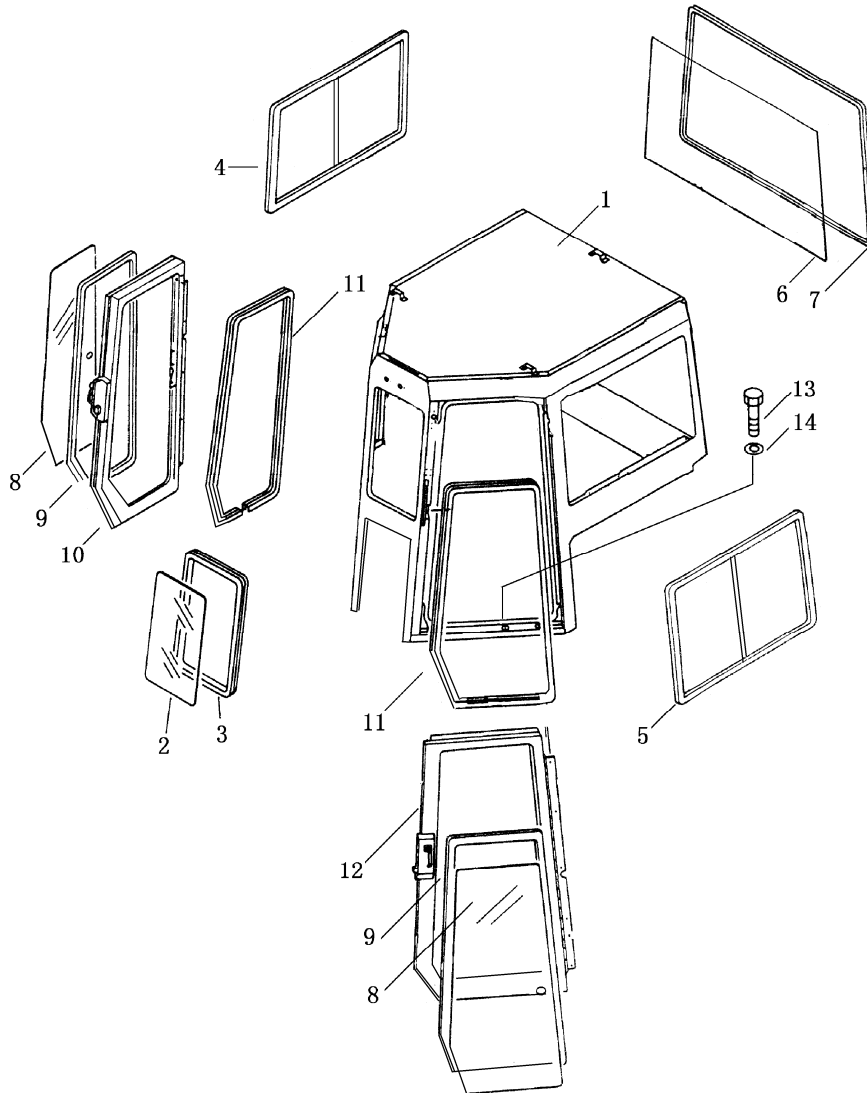
第 717 图 帆布棚
FIG. 717 CANOPY



帆布棚
CANOPY

序号 Index No.	件号 Part No.	名称 Description	数量 Q'ty
	154-906-2001	帆布棚 canopy ass'y	1
717-1	154-906-4120	前杆 pole front	1
2	154-906-4130	后杆 pole rear	1
3	154-906-4110	帆布棚 canopy ass'y	1
4	154-906-4160	线夹 clip	5
5	01010-51435	螺栓 bolt	10
6	01643-31445	垫圈 washer	10
7	154-906-4170	支承座 pedestal, support	5
8	154-906-4191	板 sheet	1
9	154-906-4140	前支架 bracket front	2
10	01016-51450	螺栓 bolt	4
11	01580-11411	螺母 nut	4
12	154-906-4180	板 plate	2
13	01010-52460	螺栓 bolt	8
14	01643-32460	垫圈 washer	8
15	154-906-4151	板 plate	2
16	01010-52460	螺栓 bolt	4
17	01643-32460	垫圈 washer	4
18	09470-06425	后支架 bracket rear	2
19	01010-51450	螺栓 bolt	4
20	01580-11411	螺母 nut	4
21	01010-51845	螺栓 bolt	8
22	01643-31845	垫圈 washer	8

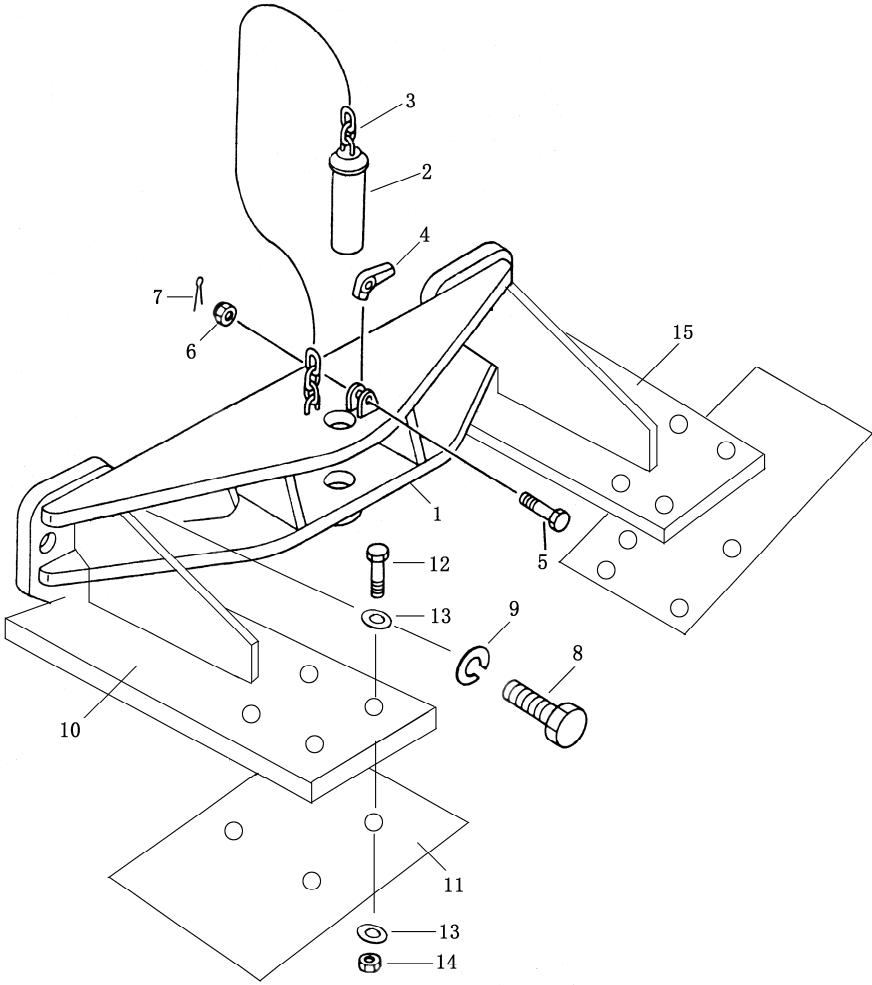
第 718 图 司机室
FIG. 718 STEEL CAB



司机室
STEEL CAB

序号 Index No.	件号 Part No.	名称 Description	数量 Q'ty
	17Y-56-00000	司机室 steel cab	1
718-1	17Y-56-01000	框架 cab	1
2	17Y-56-00005	玻璃 glass	1
3	17Y-56-00004	镶条 strip	1
4	17Y-56-05000	右侧窗总成 window ass'y R.H	1
5	17Y-56-04000	左侧窗总成 window ass'y L.H	1
6	17Y-56-00009	玻璃 glass	1
7	17Y-56-00008	镶条 strip	1
8	17Y-56-00003	玻璃 glass	2
9	17Y-56-00002	镶条 strip	2
10	17Y-56-03000	门(右) door, R.H	1
11	17Y-56-08000	密封条 seal strip	2
12	17Y-56-02000	门(左) door, L.H	1
13	01010-51455	螺栓 bolt	12
14	01643-31445	垫圈 washer	12

第 719 图 牵引架(用于 SD23S)
FIG. 719 DRAWBAR (For SD23S)

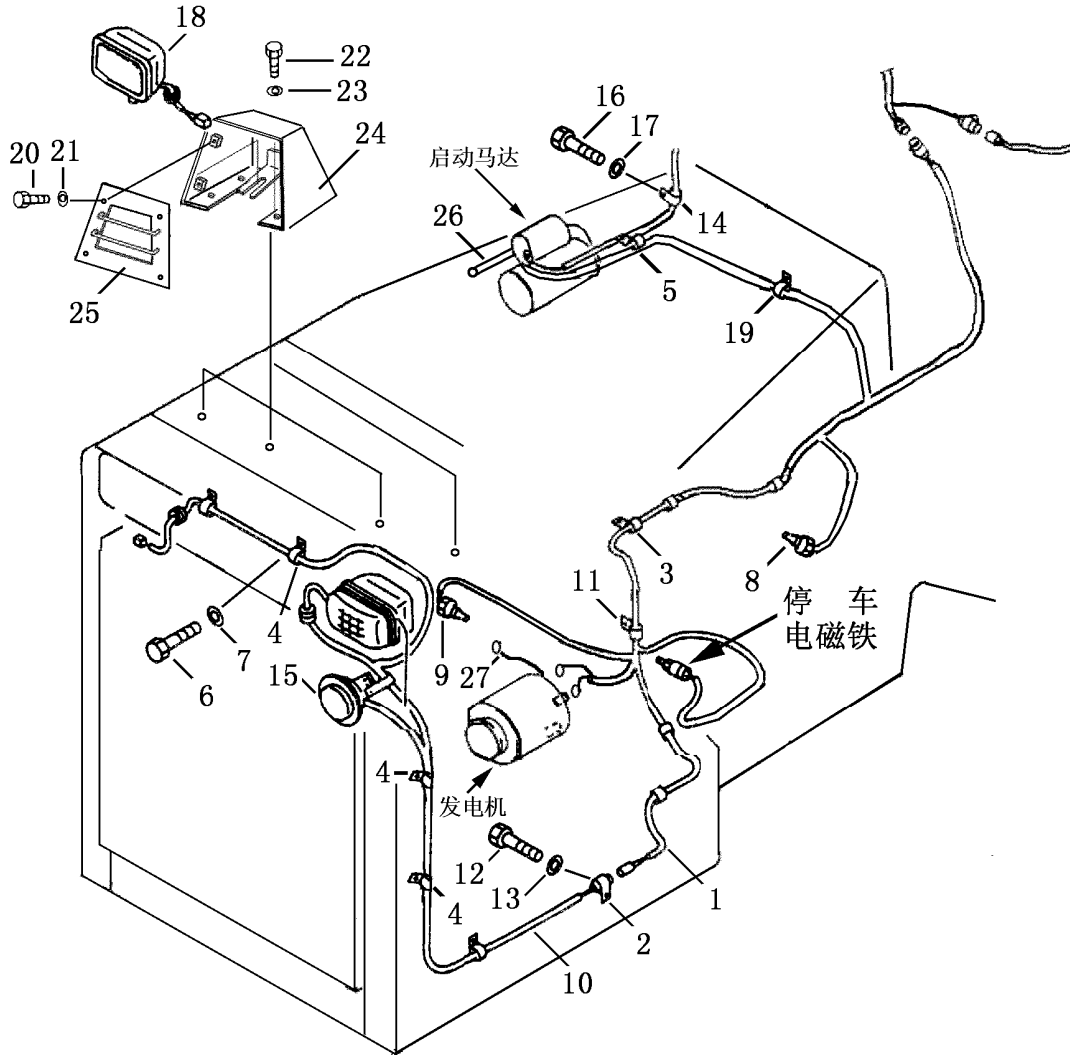


牵 引 架(用于 SD23S)
DRAWBAR (For SD23S)

序号 Index No.	件 号 Part No.	名 称 Description	数 量 Q' ty	
			SD23S	SD23R
719-1	TS220.69.1	牵引架合件 drawbar ass'y	1	1
2	TS220.69.2-1	牵引销 pin, drawbar	1	1
3	09245-24842	环形链环 chain	1	1
4	TS220.69.2-2	掣爪 latch	1	1
5	01052-51265	螺栓 bolt	1	1
6	01593-11215	螺母 nut	1	1
7	04050-13020	开口销 pin, cotter	1	1
8	01010-83380	螺栓 bolt	6	6
9	01643-33380	加厚垫圈 washer	6	6
10	17S-69H-10001	左支架 bracket L.H		1
11	17S-69H-11000	刮泥板 scrape mud plate		2
12	01010-51870	螺栓 bolt		8
13	01643-31845	垫圈 washer		16
14	01582-11815	螺母 nut		8
15	17S-69H-10003	右支架 bracket R.H		1

电 气 系 统
ELECTRICAL SYSTEM

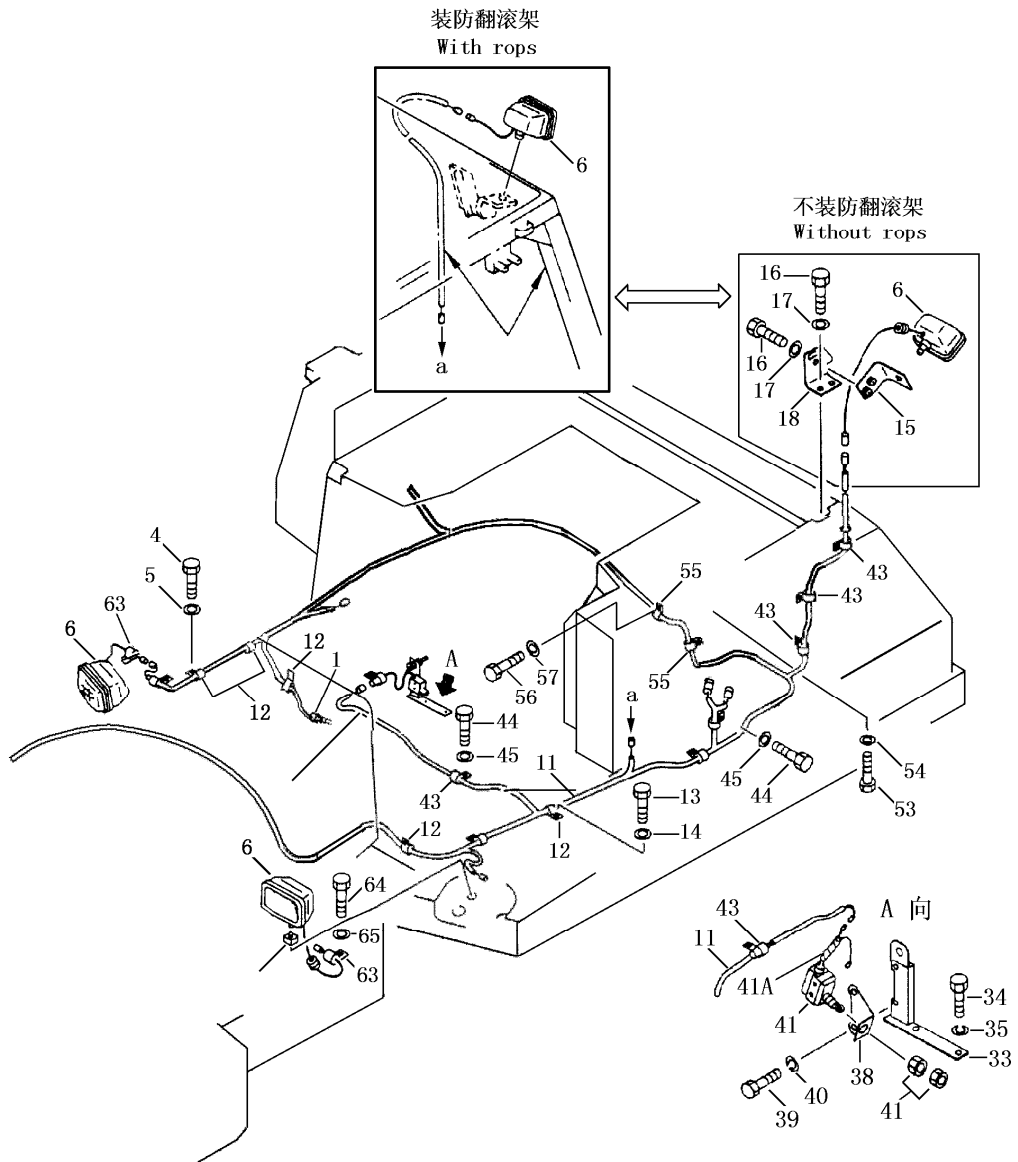
第 801 图 电气系统 (1/2)
 Fig. 801 ELECTRICAL SYSTEM



电气系统 (1/2)
ELECTRICAL SYSTEM

序号 Index No.	件号 Part No.	名称 Description	数量 Q'ty
1	17Y-07C-02000	线束 wiring harness	1
2	08035-11010	线夹 clip	2
3	08035-12014	线夹 clip	1
4	08035-11014	线夹 clip	4
5	08034-20519	箍 hoop	1
6	01010-51220	螺栓 bolt	4
7	01643-31232	垫圈 washer	4
8	D2300-00000	压力传感器 sensor, engine oil pressure	1
9	D2310-00000	温度传感器 sensor, water temperature	1
10	17Y-07C-01000	线束 wiring harness	1
11	08035-02010	线夹 clip	5
12	01010-51016	螺栓 bolt	2
13	01643-31032	垫圈 washer	2
14	08035-12514	垫圈 washer	1
15	D2711-10500	喇叭 horn	1
16	01010-51220	螺栓 bolt	1
17	01643-31232	垫圈 washer	1
18	D2401-07001	大灯 lamp large	2
19	D2160-00800	空滤指示器 air indicator	1
20	01010-50814	螺栓 bolt	8
21	01643-30823	垫圈 washer	8
22	01010-51220	螺栓 bolt	8
23	01643-31232	垫圈 washer	8
24	17Y-07B-13000	灯罩 lampshade	2
25	17Y-07B-14000	护板 plate	2
26	23Y-07E-12000	导线 wire, earth	1
27	23Y-07E-02000	导线 wire, earth	1

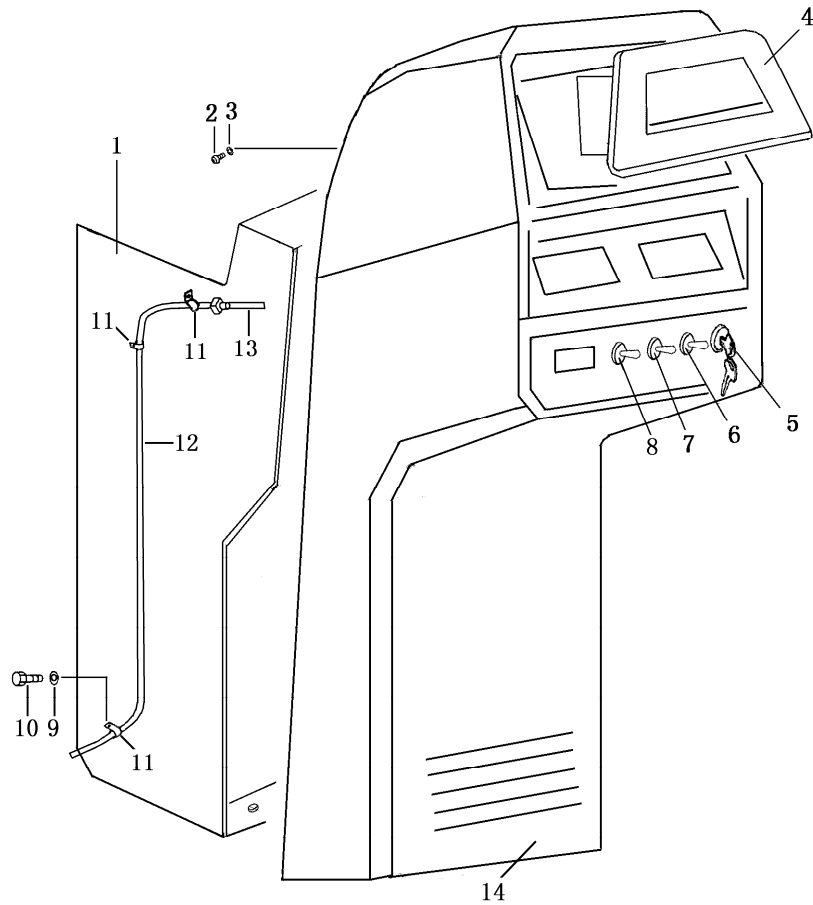
第 802 图 电气系统 (2/2)
Fig. 802 ELECTRICAL SYSTEM



电气系统 (2/2)
ELECTRICAL SYSTEM

序号 Index No.	件号 Part No.	名称 Description	数量 Q'ty
1	D2320-00000	油温传感器 sensor, oil temperature	1
4	01010-51220	螺栓 bolt	5
5	01643-31232	垫圈 washer	5
6	D2401-07001	大灯 lamp large	3
11	17Y-07C-03000	线束 wiring harness	1
12	08035-12514	线夹 clip	7
13	01010-51220	螺栓 bolt	3
14	01643-31232	垫圈 washer	3
15	154-06-41350	支架 bracket	1
16	01010-51235	螺栓 bolt	4
17	01643-31232	垫圈 washer	4
18	154-06-41340	支架 bracket	1
33	17Y-07-15000	支架 bracket	1
34	01010-51035	螺栓 bolt	2
35	01643-31232	垫圈 washer	2
38	17Y-07-00009	支架 bracket	1
39	01220-30616	螺钉 screw	2
40	01602-20623	垫圈 washer	2
41	D2590-00800	行程开关 switch, transmission	1
43	08036-11014	线夹 clip	7
44	01010-51020	螺栓 bolt	6
45	01643-31032	垫圈 washer	6
55	08035-11514	线夹 clip	2
56	01010-51220	螺栓 bolt	2
57	01643-31232	垫圈 washer	2
63	08036-11214	线夹 clip	2
64	01010-51220	螺栓 bolt	2
65	01643-31232	垫圈 washer	2

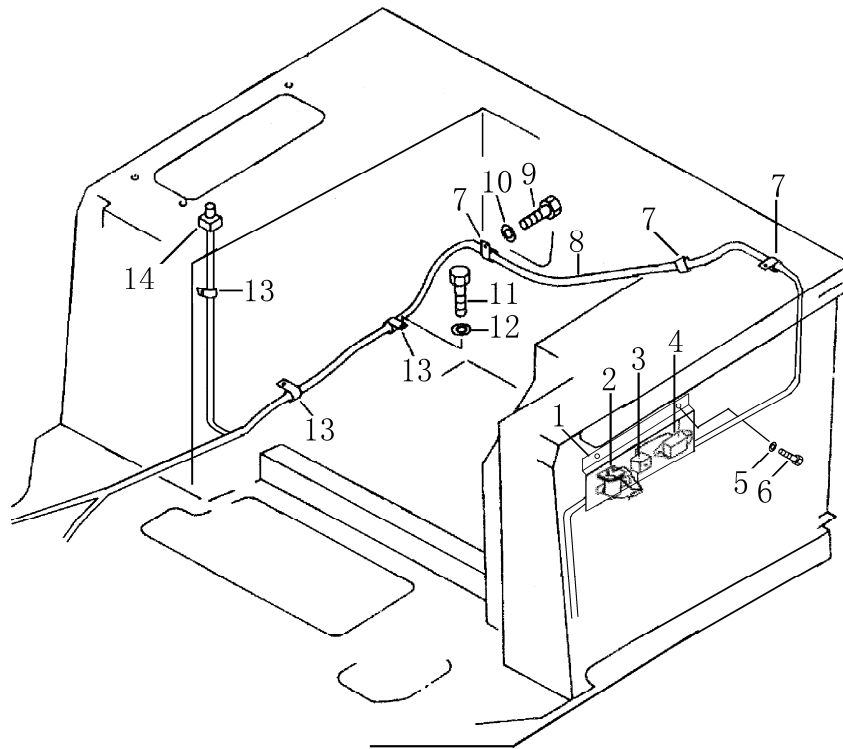
第 803 图 仪 表 箱
Fig. 803 INSTRUMENT BOX



仪 表 箱
INSTRUMENT BOX

序 号 Index No.	件 号 Part No.	名 称 Description	数量 Q'ty
1	23Y-07B-09000	箱 box	1
2	01220-30512	螺钉 screw	4
3	01641-20508	垫圈 washer	4
4	D2210-00000	组合仪表 assembled instrument	1
5	D2500-00000	启动开关 switch, starting	1
6	D2530-01500	前灯开关 switch, head lamp	1
7	D2530-01500	后灯开关 switch, rear lamp	1
8	D2530-01500	仪表灯开关 switch	1
9	01643-31032	垫圈 washer	3
10	01010-51016	螺栓 bolt	3
11	08035-12510	线夹 clip	3
12	17Y-07C-07000	线束 wire ass'y	1
13	17Y-07C-09000	线束 wire ass'y	1
14	17Y-91-01000	罩 cover	1

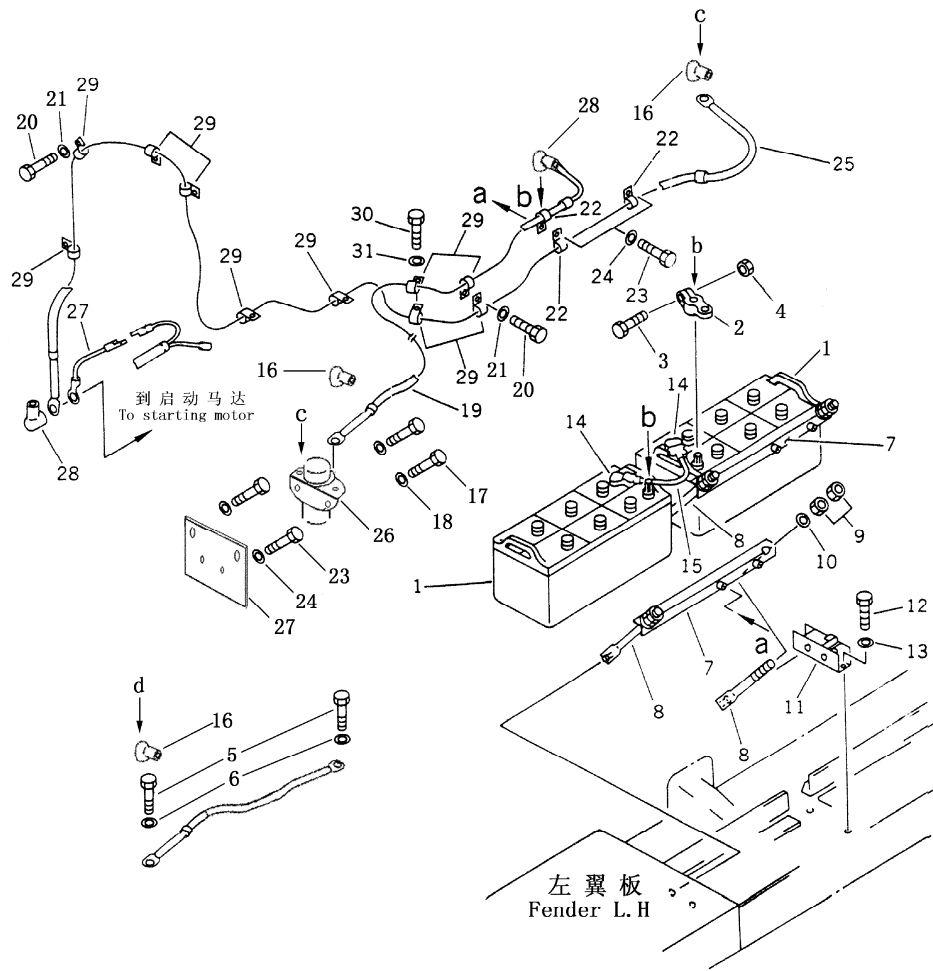
第 804 图 继电器和保险丝盒
Fig. 804 RELAY AND FUSE PANEL



继电器和保险丝盒
RELAY AND FUSE PANEL

序号 Index No.	件号 Part No.	名称 Description	数量 Q'ty
1	17Y-07C-04000	板 plate	1
2	216537	启动继电器 starting relay	1
3	3006300	安全继电器 safety relay	1
4	D2763-00900	保险丝盒 fuse box	1
5	01643-30032	垫片 washer	2
6	01010-51235	螺栓 bolt	2
7	08035-02512	线夹 clip	4
8	17Y-07C-03000	线束 wire	1
9	01010-51220	螺栓 bolt	4
10	01643-31232	垫片 washer	4
11	01010-51220	螺栓 bolt	3
12	01643-31232	垫片 washer	3
13	08035-02512	线夹 clip	3
14	02510-00600	喇叭开关 switch, horn	1

第 805 图 蓄电池和电池继电器
 Fig. 805 BATTERY AND RELAY SWITCH



蓄电池与电池继电器
BATTERY AND RELAY SWITCH

序号 Index No.	件号 Part No.	名称 Description	数量 Q'ty
1	D1010-20000	蓄电池 (200AH) battery	2
2	08000-00000	接线柱 “+” terminal “+”	2
	08000-00001	接线柱 “—” terminal “—”	2
3	01010-30830	螺栓 bolt	1
4	01580-00806	螺母 nut	1
5	01050-31018	螺栓 bolt	2
6	01640-01016	垫片 washer	2
7	195-06-19461	压板 holder	2
8	175-06-39621	拉杆 rod	4
9	01580-11008	螺母 nut	8
10	01643-31032	垫片 washer	4
11	17Y-07-13000	支架 bracket	1
12	01010-51220	螺栓 bolt	2
13	01643-31232	垫片 washer	2
14	08038-22511	罩 cap	2
15	154-06-18581	电缆 cable	1
16	08038-00518	罩 cap	3
17	01010-50820	螺栓 bolt	2
18	01643-30823	垫片 washer	2
19	17Y-07C-08000	电缆 cable	1
20	01010-51220	螺栓 bolt	8
21	01643-31232	垫片 washer	8
22	08035-03010	线夹 clip	3
23	01010-51016	螺栓 bolt	4
24	01643-31032	垫片 washer	4
25	17Y-07C-05000	电缆 cable	1
26	D2601-60000	电池继电器 relay	1
27	17Y-07B-07000	板 plate	1
28	08038-00518	罩 cap	2
29	08035-03012	线夹 clip	10